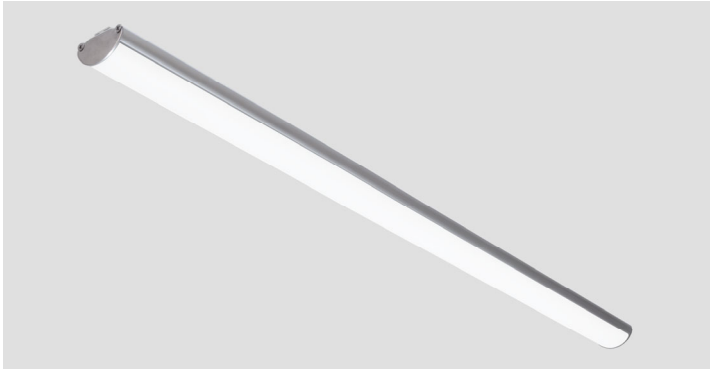


Type:	
Project:	

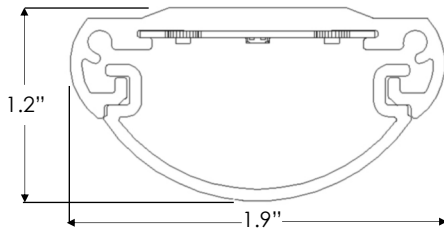


FEATURES

- Available in 4' and 8' individual fixtures
- Ultra-low profile linear fixture
- Efficacy up to 150 lm/W
- Soft diffuse direct lighting
- Finishes available in clear or black anodize
- Custom powder coat colors available upon request*
- Approved for dry and damp locations
- 0-10v dimming is standard
- Dim to 1% of output current is standard



DIMENSIONS



LUMEN PACKAGES

Based on 3500K CCT. Other CCT available.

MODEL	LUMENS	INPUT WATTS	Lm/W
SB-4-S-35K	3,068	23	134
SB-8-S-35K	6,630	45	147

ORDERING LOGIC

SB	S	SD					
SERIES	LENGTH	OUTPUT	DISTRIBUTION	CCT (80+ CRI)	FINISH*	FITTURE TO DRIVER	
SB	4=4' 8=8'	S=Standard	SD=SatinIce Diffused	30K=3000K 35K=3500K 40K=4000K 50K=5000K TW=Tunable White ¹	CA=Clear Anodize BA=Black Anodize PO=Powder Coat Other*	ECTW05=Top Exit, White Cord 5' ECTW10=Top Exit, White Cord 10' ECTB05 =Top Exit, Black Cord 5' ECTB10 =Top Exit, Black Cord 10' ECEW05= End Exit, White Cord 5' ECEW10= End Exit, White Cord 10' ECEB05 = End Exit, Black Cord 5' ECEB10 = End Exit, Black Cord 10'	
DRIVER TO MAINS		MOUNTING**			VOLTAGE	OPTIONS	
ECDW05=White Cord 5' ECDW10=White Cord 10' ECDB05 =Black Cord 5' ECDB10 =Black Cord 10' IC= Conduit into Driver Enclosure		ACW05=Aircraft Cables w/ Canopy, White Cord 5' ACW10=Aircraft Cables w/ Canopy, White Cord 10' ACB05 =Aircraft Cables w/ Canopy, Black Cord 5' ACB10 =Aircraft Cables w/ Canopy, Black Cord 10' ALW05= Aircraft Cables w/ Loop, White Cord 5' ALW10= Aircraft Cables w/ Loop, White Cord 10' ALB05 = Aircraft Cables w/ Loop, Black Cord 5' ALB10 = Aircraft Cables w/ Loop, Black Cord 10' SM=Surface Mount TM=T-Grid Mount			U=120-277V C=347V	CRI9050=Minimum 90 CRI (R9 50) PSTP=Philips Step Dimming Driver DTI=eldoLED EcoDrive Dim to 1% (0-10V) DTZ=eldoLED SoloDrive Dim to 0% (0-10V) TW-EL=eldoLED DUALdrive Tunable White (DALI) ¹ LDE1=Lutron Hi-Lume EcoSystem LED driver with Soft-on, Fade-to-Black dimming PSQ02U=Lutron T-Series 1% 2-Channel Tunable White driver ¹	

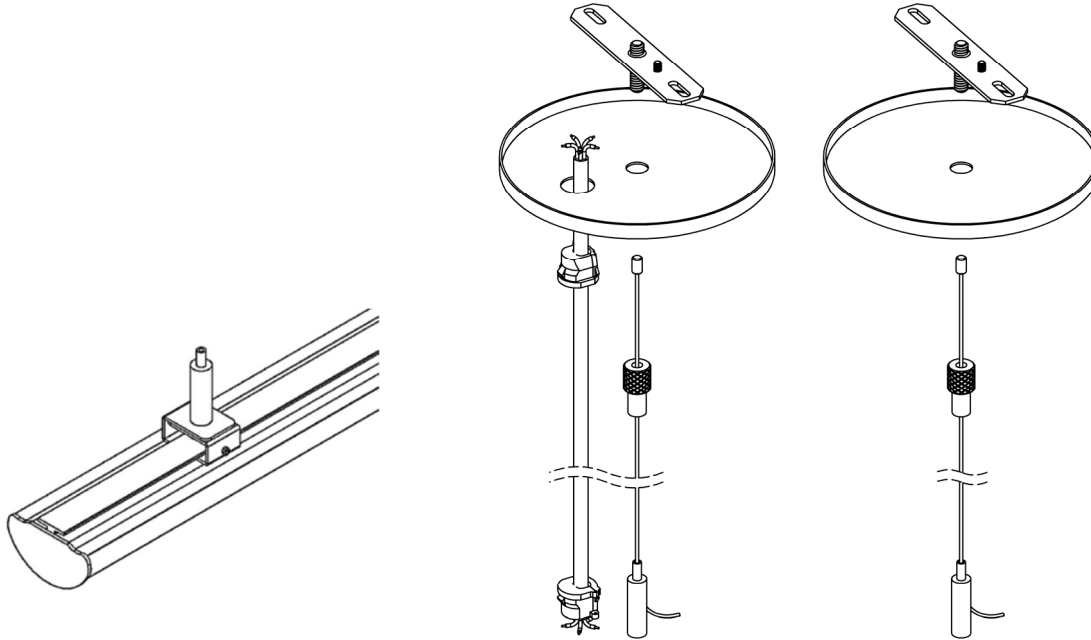
EXAMPLE: **SB-4-S-SD-35K-CA-ECTW10-ECDW10-SM-U**

¹ Tunable White Driver must be specified in options
 * Custom color will require that the factory be provided with a RAL# or color chip
 ** See mounting details on page 2.

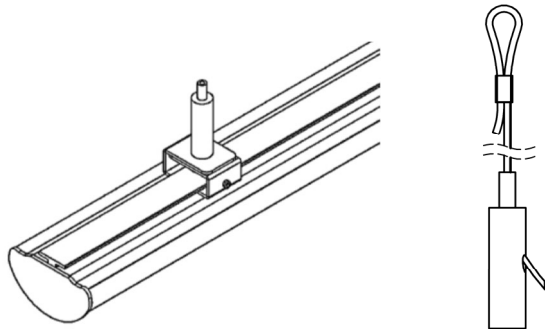
Type:	
Project:	

MOUNTING OPTIONS

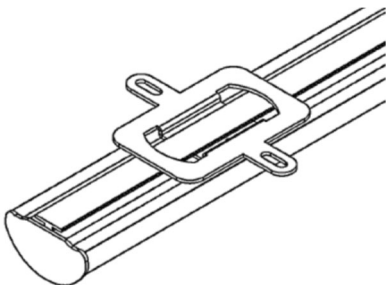
ACxxx (Aircraft Cable with Canopy) - Drywall, Solid, Tile (On-Grid), Tile (Off-Grid)



ALxxx (Aircraft Cable with Loops)



SM (Surface Mount)

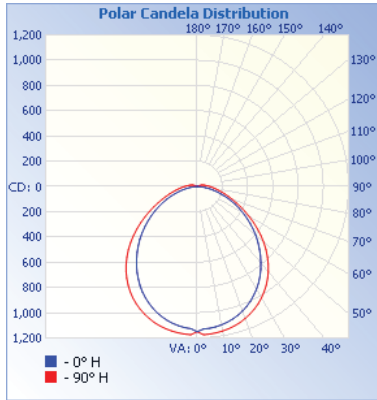


Note: Pendants by others.

PERFORMANCE

***Bold indicates DLC Premium 5.0 Listed**

STANDARD OUTPUT - 80+ CRI



Model	Lumens	Watts	LPW
SB-N-4S-35K	3,068	23	120.9
SB-N-4S-40K	3,068	23	122.7
SB-N-4S-50K	3,068	23	124.5

Model	Lumens	Watts	LPW
SB-N-8S-35K	6,630	45	147
SB-N-8S-40K	6,653	45	148
SB-N-8S-50K	6,704	44	150

Type:	
Project:	

SPECIFICATIONS

Housing

Nominal 1 1/4" x 2" single housings of continuous extruded 6063 T5 aluminum.

Color

The housing color is available in clear anodize. Custom powder coat options are available. Consult factory.

Luminaire Length

Fixtures are available in 4' and 8' standard lengths (see dimensions chart on this page).

Source

Three color temperature options (3500K, 4000K and 5000K) — all within 2.5 MacAdam ellipses.

Dimming Driver

Universal Lighting Technologies (ULT) Everline series of LED drivers allows tunable output currents to achieve infinite configurations of output. UL Class 2 recognized. 0-10v interface can be wired as Class 1 or Class 2 circuit. Included 2.5Kw ring and wave overcurrent protection, isolation of each individual output and a fully potted driver to protect from heat and vibration. Power factor >.9

Certification

Intertek cETLus Listed. DLC listed options are available. RoHS (Restriction of Hazardous Substances) and Buy American Act compliant.

Environment

Suitable for dry and damp locations.
Operating temp.: -20°C to +50°C
-4°F to +122°F

Packaging

Sustainably manufactured outside cardboard box and biodegradable, protective poly-foam luminaire inserts.

COMPANION PRODUCTS

StarBar Wide



DIMENSIONS

MODEL	NOMINAL LENGTH	LUMINAIRE LENGTH	WEIGHT
SB-4-x	4ft.	48.0" (1,219mm)	2.75 lbs. max (1.2 kg)
SB-8-x	8ft.	96.0" (2,348mm)	4 lbs. max (1.8 kg)

WARRANTY

5-year limited warranty. Complete warranty terms can be located at:

http://www.starteklightingamerica.com/images/pdf/warranty/Star_Series_Warranty

Note: Actual performance may differ as a result of installation environment and final application. All values are design or typical values, measured under laboratory conditions, at 25°C (77°F) .