

Type:	
Project:	



FEATURES

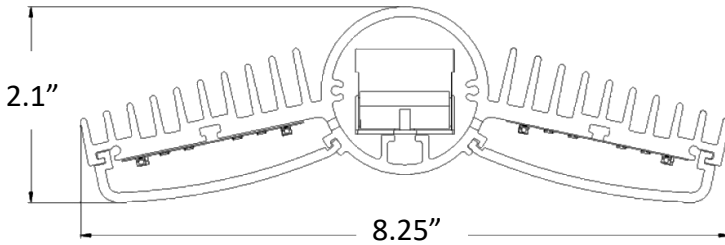
- Architectural mid/low bay
- Extruded aluminum single piece housing
- Up or Down light orientation
- Two standard lumen packages available
- Efficacy up to 144 lm/W
- Soft diffuse lighting with acrylic lens standard
- Shatter resistant polycarbonate lens available
- White powder coat or black anodize
- Custom powder coat colors available upon request*
- 0-10v dimming is standard
- Dim to 1% of output current is standard
- L70 >100,000 hrs



Intertek



DIMENSIONS



LUMEN PACKAGES

Based on 3500K CCT. Other CCT available.

MODEL	LUMENS	INPUT WATTS	Lm/W
LST-18-S-35K	9,446	69	138
LST-36-S-35K	18,720	136	138

ORDERING LOGIC

LST	SERIES	LENGTH	OUTPUT	CCT (80+ CRI)	FINISH
LST		18=18" 36=36"	S=Standard H=High	30K=3000K 35K=3500K 40K=4000K 50K=5000K	BA=Black Anodize PW=Powder Coat White PO=Powder Coat Other*
*Custom colors will require that the factory be provided with an RAL # or color chip					

ORIENTATION	MOUNTING**	VOLTAGE	OPTIONS
DN=Downlight UP=Uplight	ACW05=Aircraft Cables w/ Canopy, White Cord 5' ACW10=Aircraft Cables w/ Canopy, White Cord 10' ACB05 =Aircraft Cables w/ Canopy, Black Cord 5' ACB10 =Aircraft Cables w/ Canopy, Black Cord 10' ALW05= Aircraft Cables w/ Loop, White Cord 5' ALW10= Aircraft Cables w/ Loop, White Cord 10' ALB05 = Aircraft Cables w/ Loop, Black Cord 5' ALB10 = Aircraft Cables w/ Loop, Black Cord 10' RM=Rotational Mount BX=Box/Conduit Mount EH=Eye Hook Mount	U=120-277V C=347V	CRI9050=Min. 90CRI (R9 50) DM=Daylight/Motion Sensor MS=Motion Sensor WG=Wire Guard PC=Polycarbonate Shatter Resistant Lens NP=Nema Plug (Various)

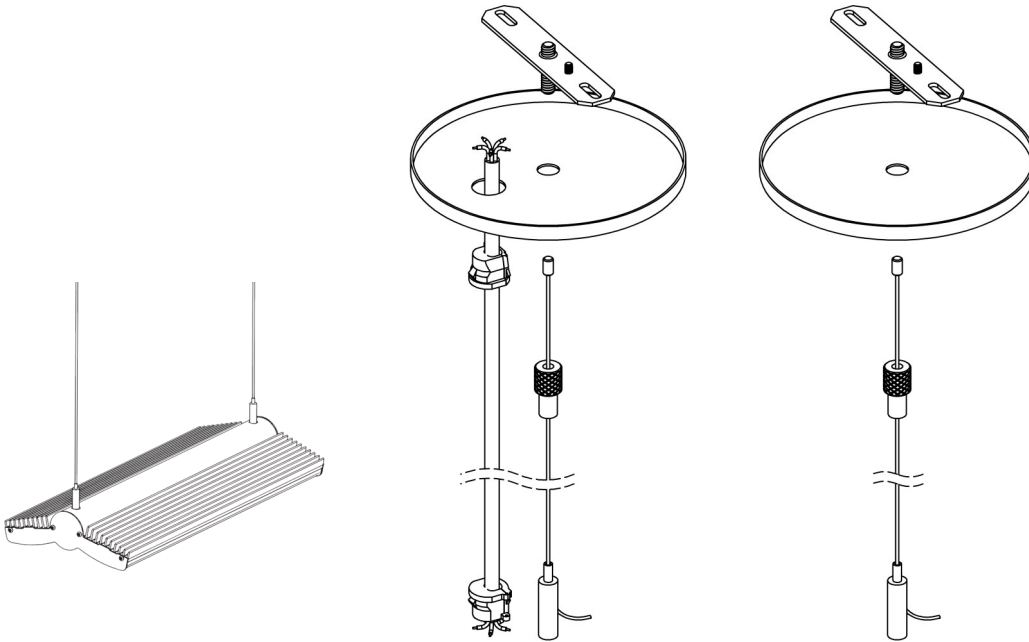
EXAMPLE: **LST-18-S-35K-BA-UP-ALB10-U-WG**

** See mounting details on page 2.

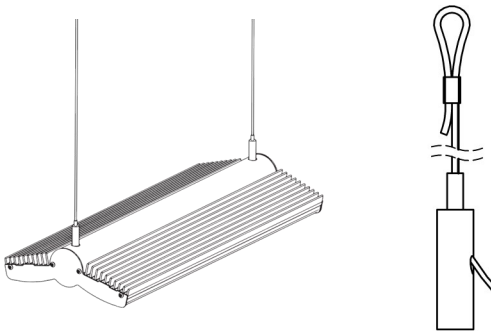
Type:	
Project:	

MOUNTING OPTIONS

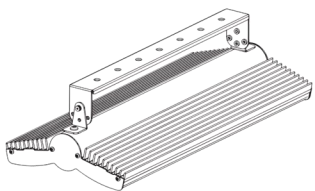
ACxxx (Aircraft Cable with Canopy) - Drywall, Solid, Tile (On-Grid), Tile (Off-Grid)



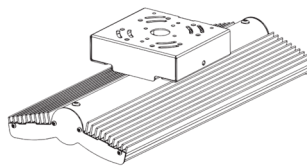
ALxxx (Aircraft Cable with Loops)



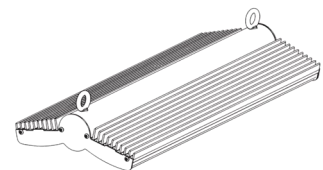
RM (Rotational Mount)



BX (Box Mount)



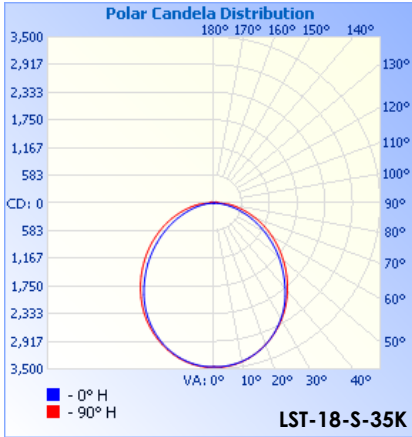
EH (Eye Hook Mount)



PERFORMANCE

*Bold indicates DLC Premium 5.0 Listed

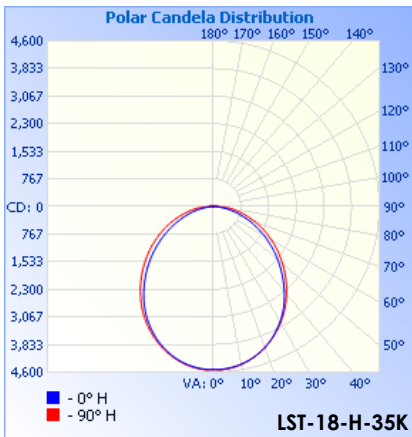
STANDARD OUTPUT - 80+ CRI



Model	Lumens	Watts	LPW
LST-18-S-30K	9,385	69.2	136
LST-18-S-35K	9,446	68.7	138
LST-18-S-40K	9,546	68.2	140
LST-18-S-50K	9,707	67.2	144

Model	Lumens	Watts	LPW
LST-36-S-30K	18,458	136.0	136
LST-36-S-35K	18,720	135.7	138
LST-36-S-40K	18,980	135.5	140
LST-36-S-50K	19,497	135.0	144

HIGH OUTPUT - 80+ CRI



Model	Lumens	Watts	LPW
LST-18-H-30K	12,241	93.1	132
LST-18-H-35K	12,381	92.7	134
LST-18-H-40K	12,518	92.2	136
LST-18-H-50K	12,790	91.4	140

Model	Lumens	Watts	LPW
LST-36-H-30K	24,510	186.4	131
LST-36-H-35K	24,812	185.5	134
LST-36-H-40K	25,114	184.7	136
LST-36-H-50K	25,718	183.1	140

Type:	
Project:	

SPECIFICATIONS

Housing

Nominal 8 1/4" x 18 1/4" (35 1/4") dual housings of continuous extruded 6063 T5 aluminum.

Color

Colors for the housing are available in black anodize or powder coat white. Custom powder coat options are available. Consult factory.

Source

Two standard lumen packages are available in four color temperature options (3000K, 3500K, 4000K and 5000K) — all within 2.5 MacAdam ellipses.

Dimming Driver

Universal Lighting Technologies (ULT) Everline series of LED drivers allows tunable output currents to achieve infinite configurations of output. UL Class 2 recognized. 0-10v interface can be wired as Class 1 or Class 2 circuit. Included 2.5Kw ring and wave overcurrent protection, isolation of each individual output and a fully potted driver to protect from heat and vibration.

Certification

Intertek cETLus Listed. DLC Premium listed options are available. RoHS (Restriction of Hazardous Substances) and Buy American Act compliant.

Packaging

Sustainably manufactured outside cardboard box and biodegradable, protective poly-foam luminaire inserts.

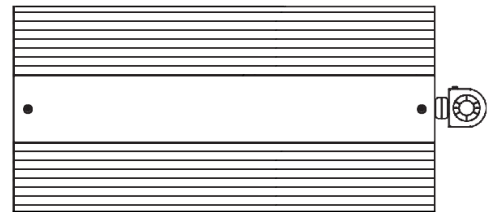
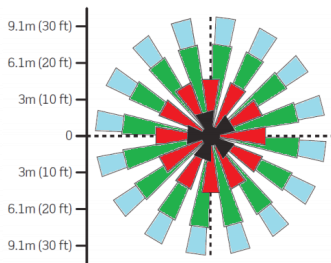
Environment

Suitable for dry and damp locations.
Operating temp.: -40°C to +45°C
-40°F to +113°F
Power Factor: >.98

CONTROL

Sensor

Optional passive infrared motion and daylight sensor activates switching of luminaire on/off. Standard Factory settings: Luminaire is activated and increased to full bright upon detection of motion. Luminaire powers off when target zone is absent of motion activity for ~5 minutes. See coverage diagram for detection cone. Not available with decorative endcap accessory.



DIMENSIONS

MODEL	NOMINAL LENGTH	LUMINAIRE LENGTH	WEIGHT
LST18	18"	18.2" (462 mm)	8.1 lbs. max (3.7 kg)
LST36	36"	35.2" (894 mm)	15.5 lbs. max (7 kg)

WARRANTY

5-year limited warranty. Complete warranty terms can be located at:

http://www.starteklightingamerica.com/images/pdf/warranty/Architectural_Bay_Series_Warranty.pdf

Note: Actual performance may differ as a result of installation environment and final application. All values are design or typical values, measured under laboratory conditions, at 25°C (77°F) .