













INSTALLATION INSTRUCTIONS



NOVAII
HOOP DIRECT



WARNING

-  **THIS PRODUCT MUST BE INSTALLED IN ACCORDANCE WITH THE APPLICABLE INSTALLATION CODE BY A PERSON FAMILIAR WITH THE CONSTRUCTION AND OPERATION OF THE PRODUCT AND THE HAZARDS INVOLVED.**
CE PRODUIT DOIT ETRE INSTALLE SELON LE CODE D'INSTALLATION PERTINENT, PAR UNE PERSONNE QUI CONNAIT BIEN LE PRODUIT ET SON FONCTIONNEMENT AINSI QUE LES RISQUES INHERENTS.
-  **DISCONNECT POWER PRIOR TO ANY INSTALLATION.**
DEBRANCHEZ LE COURANT AVANT TOUTE INSTALLATION.
-  **CAP ALL WIRING CONNECTIONS WITH UL APPROVED WIRE CONNECTORS.**
COUVRIR TOUTES LES CABLES AVE DES CONNECTIONS APPROUVEES (UL).
-  **VERIFY SUPPLY VOLTAGE MEETS LUMINAIRE LABEL SPECIFICATIONS.**
VERIFIEZ QUE LA TENSION SOIT COMPATIBLE AVEC LES CARACTERISTIQUES DU LUMINAIRE MARQUE SUR LETIQUETTE.
-  **ALLOW FIXTURE TO COOL BEFORE TOUCHING HEATSINK OR LIGHT SOURCE.**
LAISSEZ LE PROJECTEUR REFOIDIR AVANT DE TOUCHER LE RADIATEUR OU LA SOURCE DE LUMIERE.
-  **DO NOT ATTEMPT TO OPEN OR MAKE REPAIRS INSIDE LUMINAIRE.**
NE PAS TENTER DOUVRIRE OU DE FAIRE DES REPARATINS A L'INTERIEUR DU LUMINAIRE.
-  **AVOID DIRECT VIEWING OF LIGHT SOURCE.**
EVITEZ DE REGARDER DIRECTMENT LA SOURCE LUMINEUSE.
-  **THIS PRODUCT MUST BE INSTALLED BY A QUALIFIED ELECTRICIAN.**
CE PRODUIT DOIT ETRE INSTALLE PAR UN ELECTRICIEN QUALIFIE.
-  **SUITABLE FOR UNDER-CABINET MOUNT.**
ADAPTE POUR SOUS-CABINET MOUNT.
-  **SUITABLE FOR DAMP LOCATION.**
ADAPTE POUR DES ENDROITS HUMIDES.
-  **MIN 105° C SUPPLY CONDUCTORS.**
MIN 105° C ALIMENTATION CONDUCTEURS.
-  **SUITABLE FOR CONTINUOUS ROW MOUNTING.**
ADAPTE POUR CONTINU ROW MONTAGE.

7/21/2021 - PAGE 1

INSTALLATION INSTRUCTIONS

NOVA II
HOOP DIRECT

Provided Parts List

The components have been packed to avoid damage during transit. Inspect the components to confirm there is no physical damage. Do not install damaged components. The carton contains the following:

- ★ 4', 6' Or 8' Hoop fixture (as requested)
- ★ Mounting Brackets and Hardware (may be attached to fixture depending on mounting type)
- ★ Lensing
- ★ Installation Manual

Mounting

Inspect mounting location for damage. Make sure the structure can support the weight of the ROUND DI fixture. Follow all UL, NEC and minimum load rating guidelines when selecting and installing mounting hardware for the fixture.

- ★ Fixture Weights:

SM

Surface Mount brackets ship separately with order. Mount fixture to the structure and make the

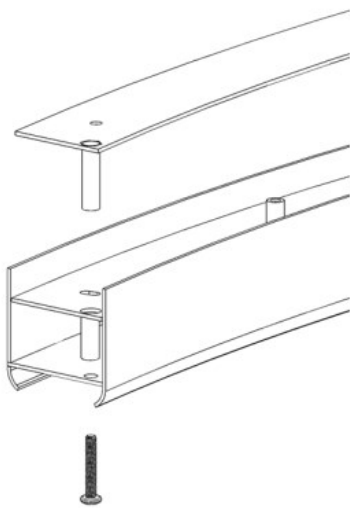


Fig. 1



4' Diameter fixture provided with (4) SM brackets

6' Diameter fixture provided with (4) SM brackets

8' Diameter fixture provided with (8) SM brackets

(Mounting accessories shown in contrasting color to provide detail. Fixtures

7/21/2021 - PAGE 2

INSTALLATION INSTRUCTIONS



LIGHTING AMERICA

NOVAII

HOOP DIRECT

Surface Mount Instructions :

1. Place Surface mount brackets together with standoff facing down
2. Surface mount bracket must not have gaps between each other when aligned together Fig.3
3. Mount surface mount bracket to structure (Fig.2) Ensure the surface can support the weight of the fixture. Secure the brackets to the wall in the desired locations
4. Place curve housing on surface mount brackets. Screw housing into the standoffs to secure fixture to surface mount brackets . (Fig.4) **Note: Do not over torque screws**

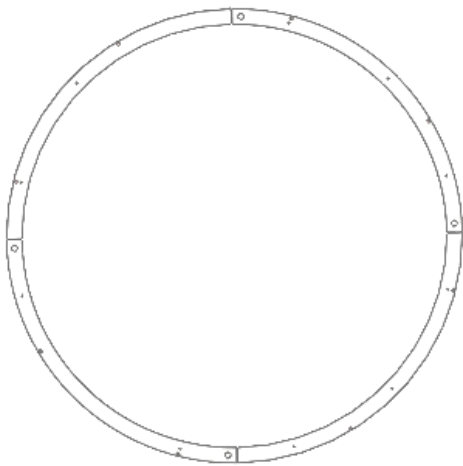


Fig.2

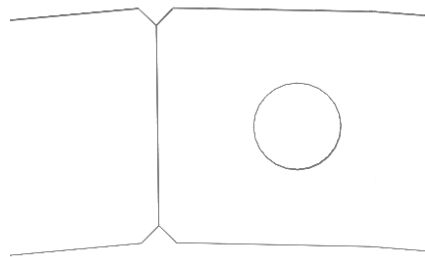


Fig.3

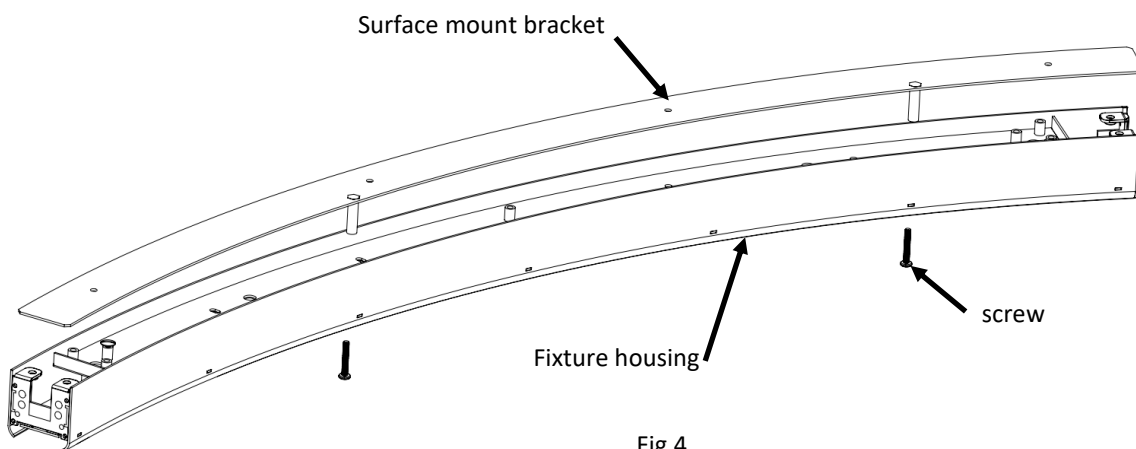


Fig.4

(Mounting accessories shown in contrasting color to provide detail. Fixtures are shipped with matching mounting accessories, unless specified otherwise.)

7/21/2021 - PAGE 3

INSTALLATION INSTRUCTIONS

Surface Mount Instructions :

- 5. Detail view showing housing on mount and where to but screws in standoffs (fig.5)
- 6. Join both fixtures together. Snap in lens and then Joiner bands (fig.6)



Fig.5



Our proprietary joiner band snaps easily into place to provide a seamless optical connection between lenses.

Fig.6

(Mounting accessories shown in contrasting color to provide detail. Fixtures are shipped with matching mounting accessories, unless specified otherwise.)

INSTALLATION INSTRUCTIONS

AC Pendant Mount Instructions:

Fixture will come with aircraft cable attached. Mount fixture to the structure and make the proper connections. The Mounting height is adjusted at the canopy.

1. Attached curve to curve link plate to fixture using (4) 8-32-screws (fig.7)



Fig.7

(Mounting accessories shown in contrasting color to provide detail. Fixtures are shipped with matching mounting accessories, unless specified otherwise.)

INSTALLATION INSTRUCTIONS



LIGHTING AMERICA

NOVAII

HOOP DIRECT

AC Pendant Mount Instructions :

2. Join both fixtures together by inserting (2) 8-32 screws into fixture for joining do not over torque down screws.



Fig.8

(Mounting accessories shown in contrasting color to provide detail. Fixtures are shipped with matching mounting accessories, unless specified otherwise.)

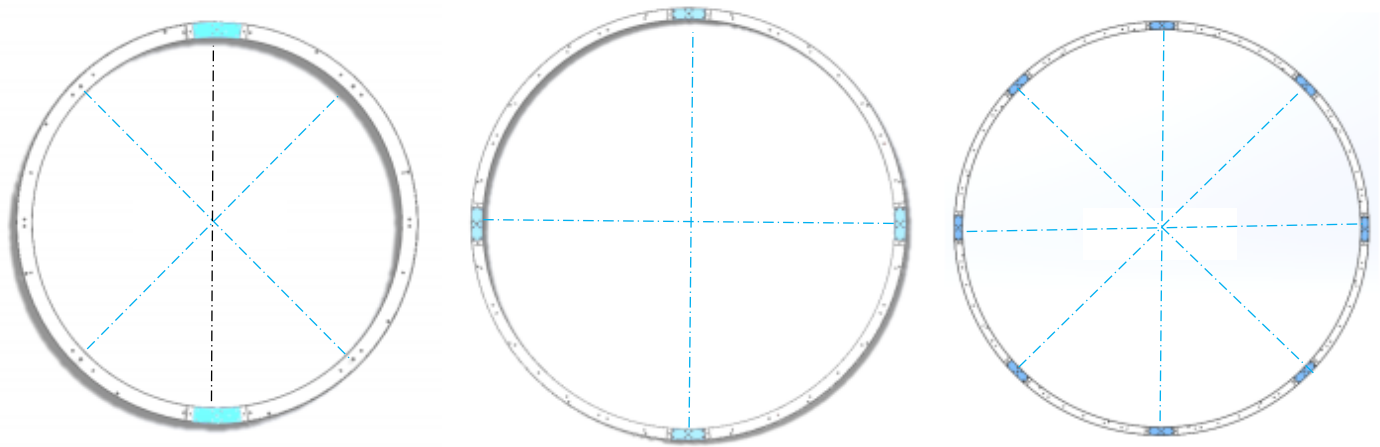
7/21/2021 - PAGE 6

INSTALLATION INSTRUCTIONS

AC Pendant Mount Instructions cont.:

3. Next repeat step 2 until hoop is 360°
4. Place grippers on curve link plate . Snap in lens and then Joiner bands

— — — — — RECOMMENDED MOUNTING PT. PER FIXT.
- - - - - ADDITIONAL MT. PT. PER FIXT.



Highlighted in blue are the curve link plate

4' hoop

6' hoop

8' hoop

Fig.9

(Mounting accessories shown in contrasting color to provide detail. Fixtures are shipped with matching mounting accessories, unless specified otherwise.)

INSTALLATION INSTRUCTIONS

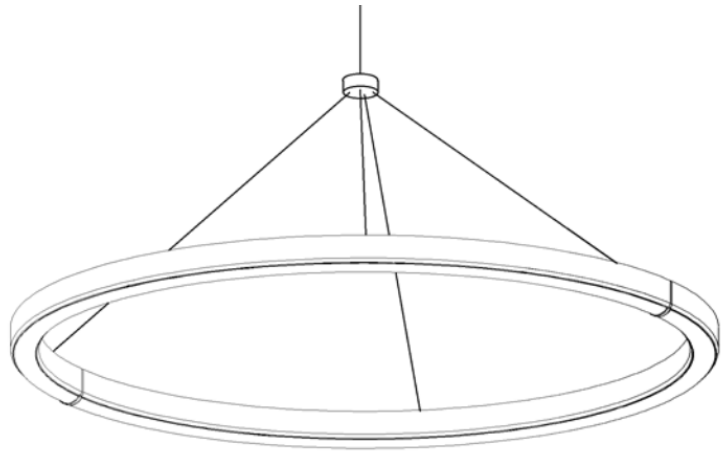
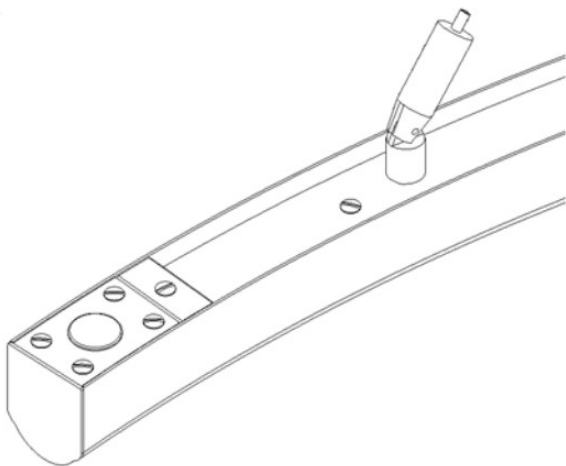


NOVAII
HOOP DIRECT

AP Pendant Mount Instructions :

Note: AP mounting is only available with the 4' Diameter Hoop.

6' and 8' diameter fixtures must use the SM or AC mounting available.



(Mounting accessories shown in contrasting color to provide detail. Fixtures are shipped with matching mounting accessories, unless specified otherwise.)

7/21/2021 - PAGE 8

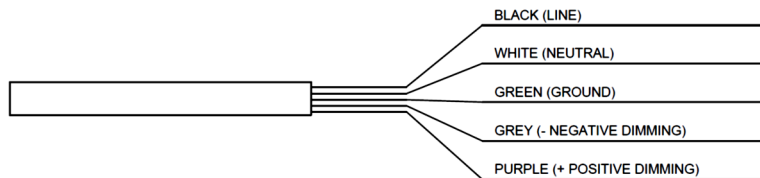
INSTALLATION INSTRUCTIONS



NOVAII
HOOP DIRECT

Standard 0-10 Fixture Wiring Diagram

1. Power must be turned OFF prior to disconnecting or reconnecting the fixture
2. If fixture is not fitted with existing plug, connect fixture wiring to line side wires. Use only UL listed wiring devices. Purple and Gray leads are used for 0-10 dimming ONLY. Cap wires if not used (see below). Line side wiring connected by the installer must be rated for the load per (NEC) National Electric Code and/or local electric code. *



*If your product is configured to have an EM circuit, EM Battery circuit or a separate circuit for dual switching, the above configuration will include an additional BLUE wire to be terminated on the additional circuit mains wiring.

3. Restore power and verify operation.

(Mounting accessories shown in contrasting color to provide detail. Fixtures are shipped with matching mounting accessories, unless specified otherwise.)

7/21/2021 - PAGE 9