

# INSTALLATION INSTRUCTIONS



NOVAII  
HOOP DIRECT  
4', 6', & 8'



## WARNING

-  **THIS PRODUCT MUST BE INSTALLED IN ACCORDANCE WITH THE APPLICABLE INSTALLATION CODE BY A PERSON FAMILIAR WITH THE CONSTRUCTION AND OPERATION OF THE PRODUCT AND THE HAZARDS INVOLVED.**  
*CE PRODUIT DOIT ETRE INSTALLE SELON LE CODE D'INSTALLATION PERTINENT, PAR UNE PERSONNE QUI CONNAIT BIEN LE PRODUIT ET SON FONCTIONNEMENT AINSI QUE LES RISQUES INHERENTS.*
-  **DISCONNECT POWER PRIOR TO ANY INSTALLATION.**  
*DEBRANCHEZ LE COURANT AVANT TOUTE INSTALLATION.*
-  **CAP ALL WIRING CONNECTIONS WITH UL APPROVED WIRE CONNECTORS.**  
*COUVRIR TOUTES LES CABLES AVE DES CONNECTIONS APPROUVES (UL).*
-  **VERIFY SUPPLY VOLTAGE MEETS LUMINAIRE LABEL SPECIFICATIONS.**  
*VERIFIEZ QUE LA TENSION SOIT COMPATIBLE AVEC LES CARACTERISTIQUES DU LUMINAIRE MARQUE SUR LETIQUETTE.*
-  **ALLOW FIXTURE TO COOL BEFORE TOUCHING HEATSINK OR LIGHT SOURCE.**  
*LAISSEZ LE PROJECTEUR REFOIDIR AVANT DE TOUCHER LE RADIATEUR OU LA SOURCE DE LUMIERE.*
-  **DO NOT ATTEMPT TO OPEN OR MAKE REPAIRS INSIDE LUMINAIRE.**  
*NE PAS TENTER DOUVRIRE OU DE FAIRE DES REPARATINS A L'INTERIEUR DU LUMINAIRE.*
-  **AVOID DIRECT VIEWING OF LIGHT SOURCE.**  
*EVITEZ DE REGARDER DIRECTMENT LA SOURCE LUMINEUSE.*
-  **THIS PRODUCT MUST BE INSTALLED BY A QUALIFIED ELECTRICIAN.**  
*CE PRODUIT DOIT ETRE INSTALLE PAR UN ELECTRICIEN QUALIFIE.*
-  **SUITABLE FOR UNDER-CABINET MOUNT.**  
*ADAPTE POUR SOUS-CABINET MOUNT.*
-  **SUITABLE FOR DAMP LOCATION.**  
*ADAPTE POUR DES ENDROITS HUMIDES.*
-  **MIN 105° C SUPPLY CONDUCTORS.**  
*MIN 105° C ALIMENTATION CONDUCTEURS.*
-  **SUITABLE FOR CONTINUOUS ROW MOUNTING.**  
*ADAPTE POUR CONTINU ROW MONTAGE.*

10/12/2021 - PAGE 1

# INSTALLATION INSTRUCTIONS



NOVAII  
HOOP DIRECT  
4', 6', & 8'

## **Provided Parts List**

The components have been packed to avoid damage during transit. Inspect the components to confirm there is no physical damage. Do not install damaged components. The carton contains the following:

- ★ 4', 6' Or 8' hoop fixture (as requested)
- ★ Mounting brackets and hardware (may be attached to fixture depending on mounting type)
- ★ Lensing
- ★ Installation manual

## **Mounting**

Inspect mounting location for damage. Make sure the structure can support the weight of the NHOOPD fixture. Follow all UL, NEC and minimum load rating guidelines when selecting and installing mounting hardware for the fixture.

# INSTALLATION INSTRUCTIONS



LIGHTING AMERICA

NOVAII

HOOP DIRECT

4', 6', & 8'

## Surface Mount Instructions :

Surface Mount brackets ship separately with order. Mount fixture to structure and make the proper connections.

1. Place Surface mount brackets together with standoff facing down
2. Surface mount bracket must not have gaps between each other when aligned together Fig.1
3. Mount surface mount bracket to structure (Fig.2) Ensure the surface can support the weight of the fixture. Secure the brackets to the wall in the desired locations.
4. Wire segment 1 to building mains and attach to surface mount brackets. Screw housing into the standoffs to secure fixture to surface mount brackets . (Fig.3 & 4) **Note: Do not over torque screws**

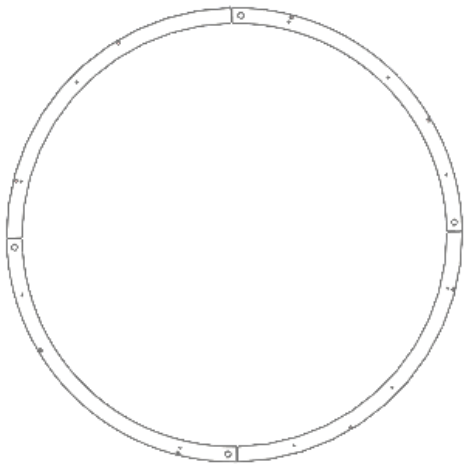


Fig.1

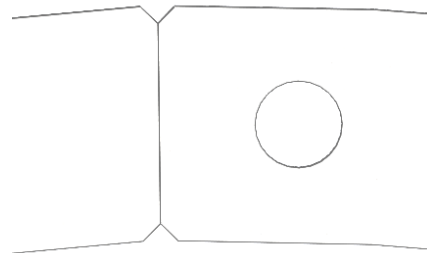


Fig.2

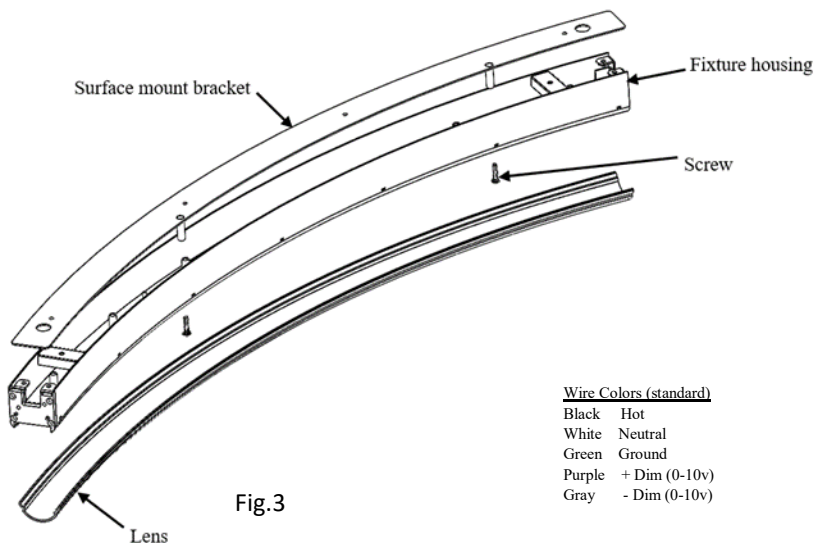


Fig.3



4' Diameter fixture provided with (4) SM brackets

6' Diameter fixture provided with (4) SM brackets

8' Diameter fixture provided with (8) SM brackets

# INSTALLATION INSTRUCTIONS

NOVAII  
HOOP DIRECT  
4', 6', & 8'

## Surface Mount Instructions :

- 5 Snap in lens and then joiner bands (Fig. 5 & 6)

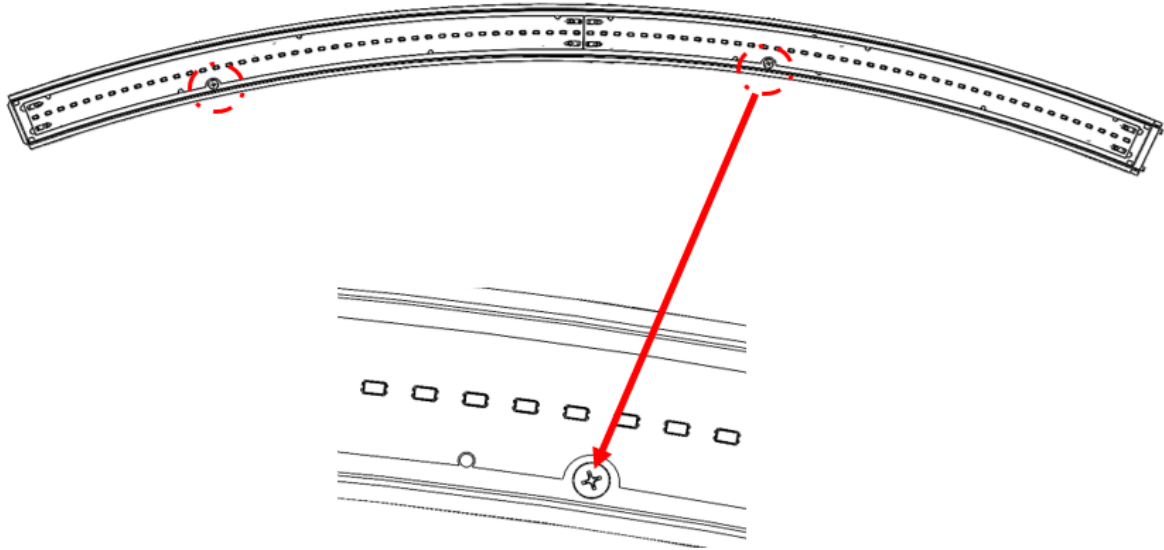


Fig.4

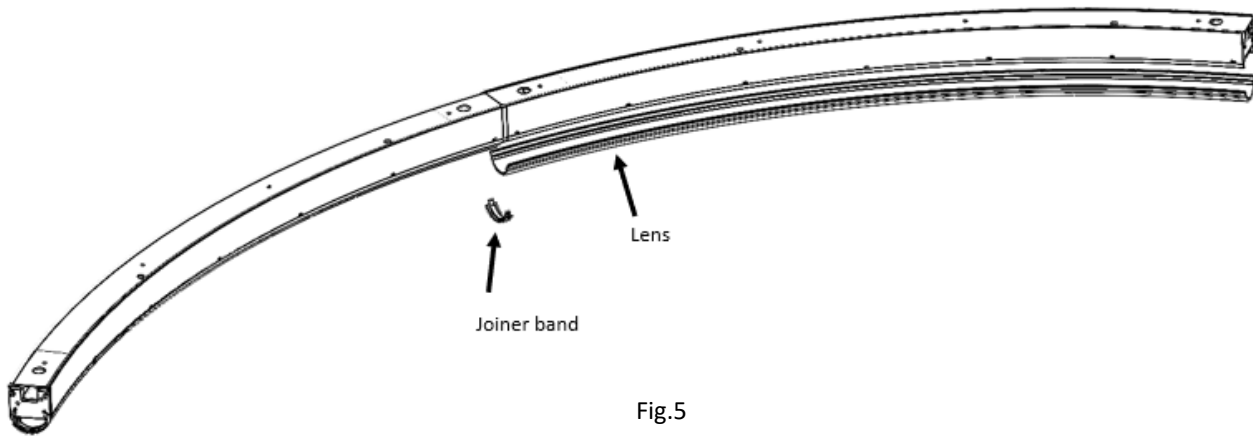


Fig.5



Our proprietary joiner band snaps easily into place to provide a seamless optical connection between lenses.

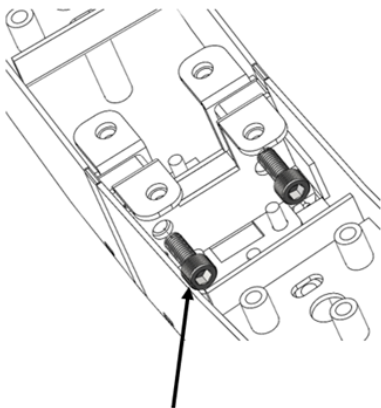
Fig.6

# INSTALLATION INSTRUCTIONS

NOVAII  
HOOP DIRECT  
4', 6', & 8'

## AC Pendant Mount Instructions:

1. Connect housing segments to create hoop fixture.  
(4') = 2 segments  
(6') = 4 segments  
(8') = 8 segments
2. Attach segment (1) to (2) by using 2 socket head cap screws (Fig .1)
3. Connect internal wires.
4. Attach cover plate (8 screws) (Fig.2)
5. Repeat steps 2-4.
6. Install power cord to building mains.
7. Feed aircraft cable through gripper. Attach to mounting structure. Fixture height adjusted at the fixture (Fig. 3).



Install 2 socket head cap screws to link fixture sections together

Fig.1

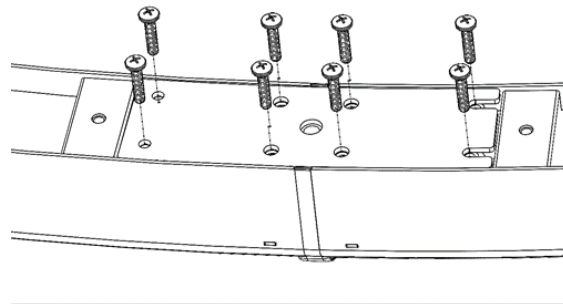


Fig.2

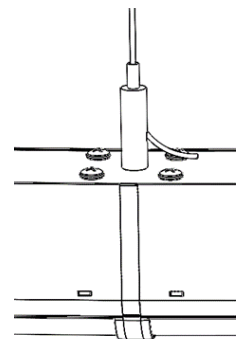
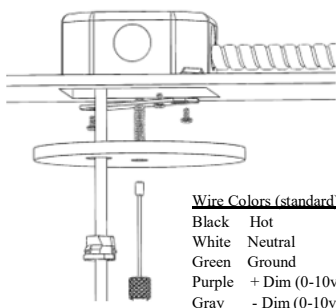
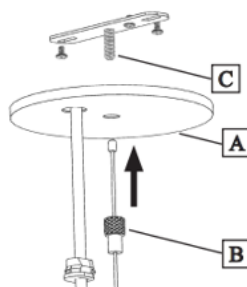


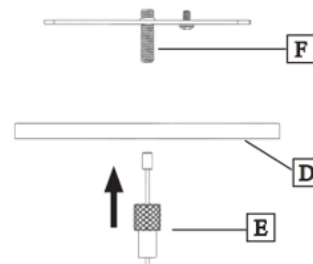
Fig.3



Power feed side. Secure canopy (A) with threaded coupler (B) on threaded stud (C)



Non-power feed side. Secure canopy (D) with cable coupler (E) on threaded stud (F)

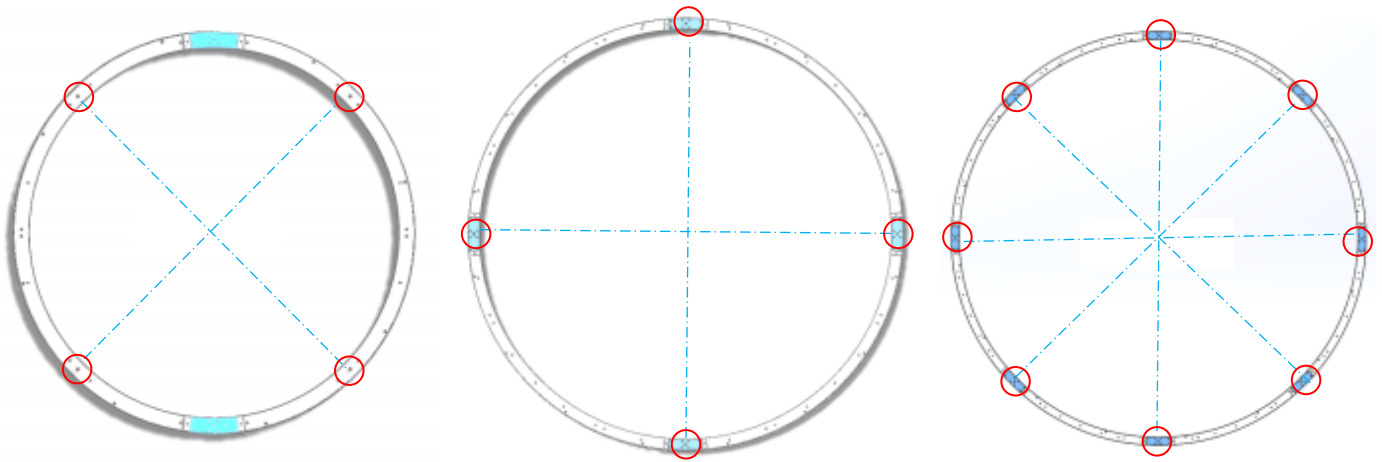


# INSTALLATION INSTRUCTIONS

NOVAII  
HOOP DIRECT  
4', 6', & 8'

## AC Pendant Mount Instructions cont.:

----- MT per fixture



4' hoop

6' hoop

8' hoop

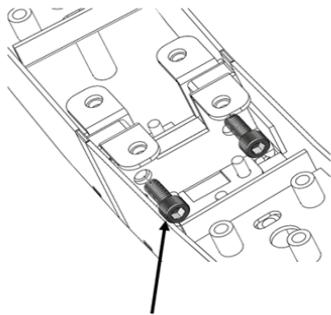
(Mounting accessories shown in contrasting color to provide detail. Fixtures are shipped with matching mounting accessories, unless specified otherwise.)

# INSTALLATION INSTRUCTIONS

NOVAII  
HOOP DIRECT  
4'

## **AP Pendant Mount Instructions:**

1. Connect housing segments to create hoop fixture.  
(4') = 2 segments
2. Attach segment (1) to (2) by using 2 socket head cap screws (Fig .1)
3. Connect internal wires.
4. Attach cover plate (8 screws) (Fig.2)
5. Repeat steps 2-4.
6. Install power cord to building mains.
7. Feed aircraft cable though gripper. Attach to mounting structure. Fixture height adjusted at the fixture (Fig. 3).



Install 2 socket head cap screws to link fixture sections together

Fig.1

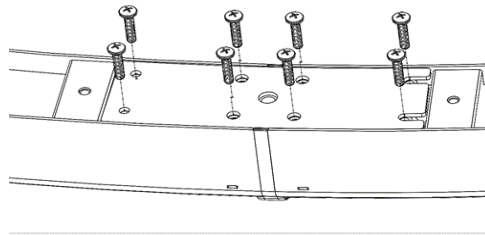


Fig.2

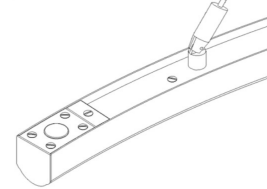
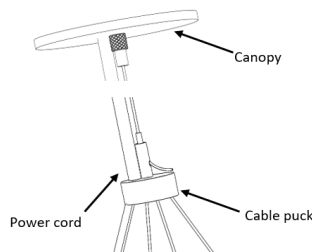
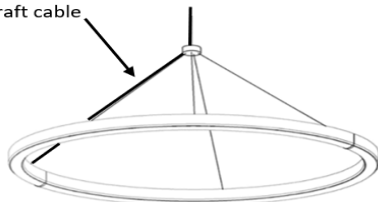


Fig.3

Run power cord up aircraft cable



**Note:** AP mounting is only available with the 4' Diameter Hoop. 6' and 8' diameter fixtures must use the SM or AC mounting available.