

INSTALLATION INSTRUCTIONS



THIS PRODUCT MUST BE INSTALLED IN ACCORDANCE WITH THE APPLICABLE INSTALLATION CODE BY A PERSON FAMILIAR WITH THE CONSTRUCTION AND OPERATION OF THE PRODUCT AND THE HAZARDS INVOLVED.
CE PRODUIT DOIT ETRE INSTALLE SELON LE CODE D'INSTALLATION PERTINENT, PAR UNE PERSONNE QUI CONNAIT BIEN LE PRODUIT ET SON FONCTIONNEMENT AINSI QUE LES RISQUES INHERENTS.
DISCONNECT POWER PRIOR TO ANY INSTALLATION.
DEBRANCHEZ LE COURANT AVANT TOUTE INSTALLATION.
CAP ALL WIRING CONNECTIONS WITH UL APPROVED WIRE CONNECTORS.
COUVRIR TOUTES LES CABLES AVE DES CONNECTIONS APPROUVES (UL).
VERIFY SUPPLY VOLTAGE MEETS LUMINAIRE LABEL SPECIFICATIONS.
VERIFIEZ QUE LA TENSION SOIT COMPATIBLE AVEC LES CARACTERISTIQUES DU LUMINAIRE MARQUE SUR LETIQUETTE.
ALLOW FIXTURE TO COOL BEFORE TOUCHING HEATSINK OR LIGHT SOURCE.
LAISSEZ LE PROJECTEUR REFOIDIR AVANT DE TOUCHER LE RADIATEUR OU LA SOURCE DE LUMIERE.
DO NOT ATTEMPT TO OPEN OR MAKE REPAIRS INSIDE LUMINAIRE.
NE PAS TENTER DOUVRIRE OU DE FAIRE DES REPARATINS A L'INTERIEUR DU LUMINAIRE.
AVOID DIRECT VIEWING OF LIGHT SOURCE.
EVITEZ DE REGARDER DIRECTMENT LA SOURCE LUMINEUSE.
THIS PRODUCT MUST BE INSTALLED BY A QUALIFIED ELECTRICIAN.
CE PRODUIT DOIT ITRE INSTALLE PAR UN ELECTRICIEN QUALIFIE.
SUITABLE FOR UNDER-CABINET MOUNT.
ADAPTE POUR SOUS-CABINET MOUNT.
SUITABLE FOR DAMP LOCATION.
ADAOTE POUR DES ENDROITS HUMIDES.
SUITABLE FOR CONTINUOUS ROW MOUNTING.
ADAPTE POUR CONTINU ROW MONTAGE.



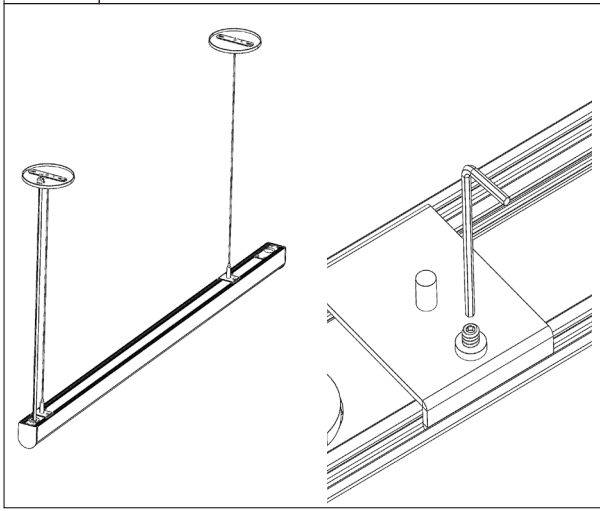
NOVA II D
NOVA II D/I

Note: All pictures shown are
NOVA D

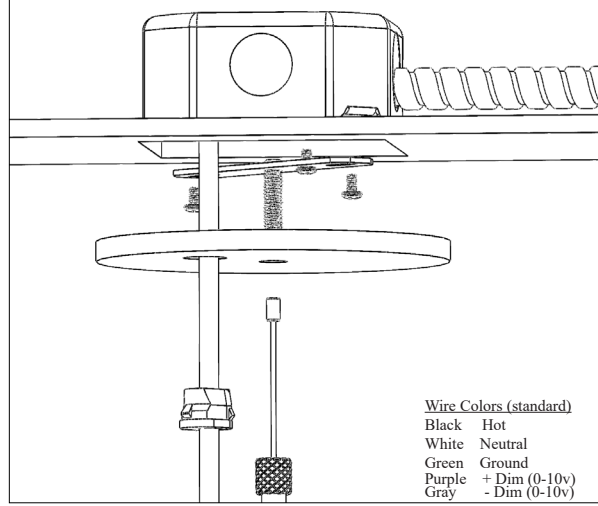
INSTALLATION INSTRUCTIONS

Individual Pendant Mount (ACxxx)

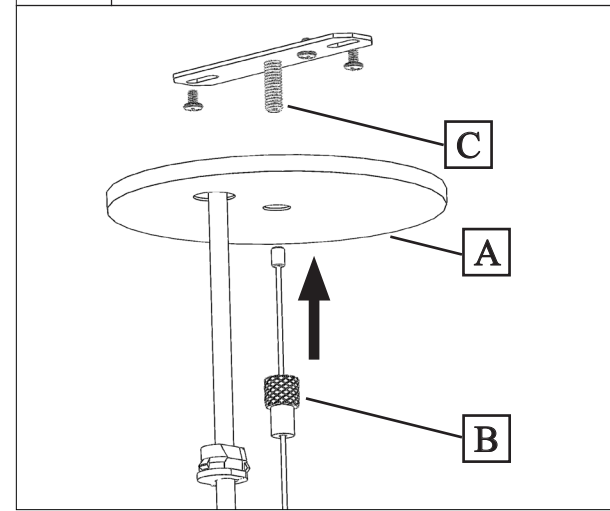
1 Power must be turned off prior to disconnecting or reconnecting fixture. Slide pendant mount into place, and lock location by tightening set screw. Do not overtighten.



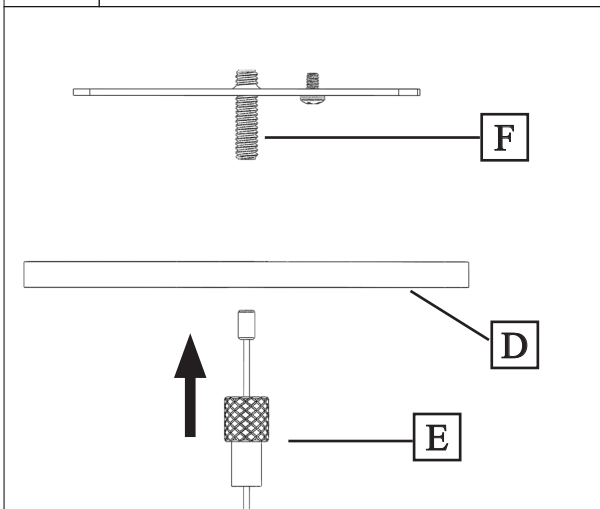
2 Locate ceiling mounting points according to supplied client drawing. Connect wire to building mains and then canopy to structure. Remove slack from cord attach strain relief to hole.



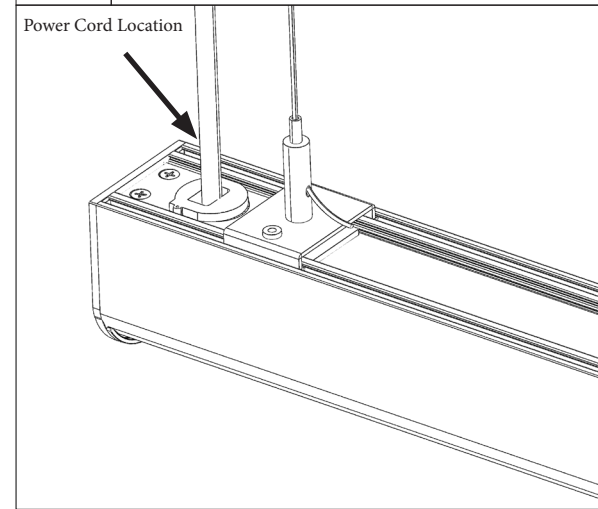
3 Power feed side. Secure canopy (A) with threaded coupler (B) on threaded stud (C)



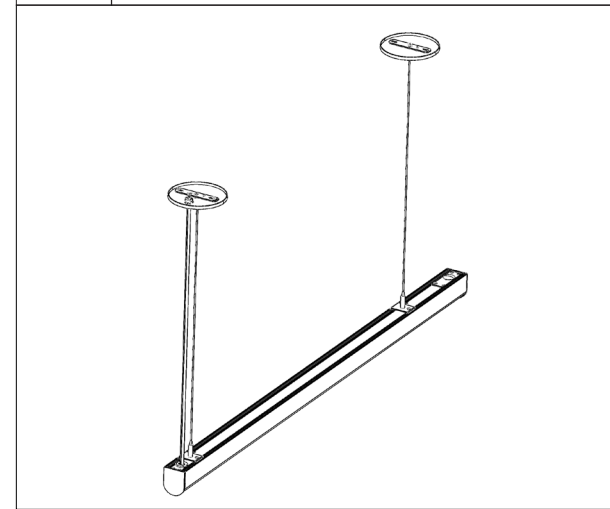
4 Non-power feed side. Secure canopy (D) with cable coupler (E) on threaded stud (F)



5 Level fixture by adjusting aircraft cable through grippers on both ends.

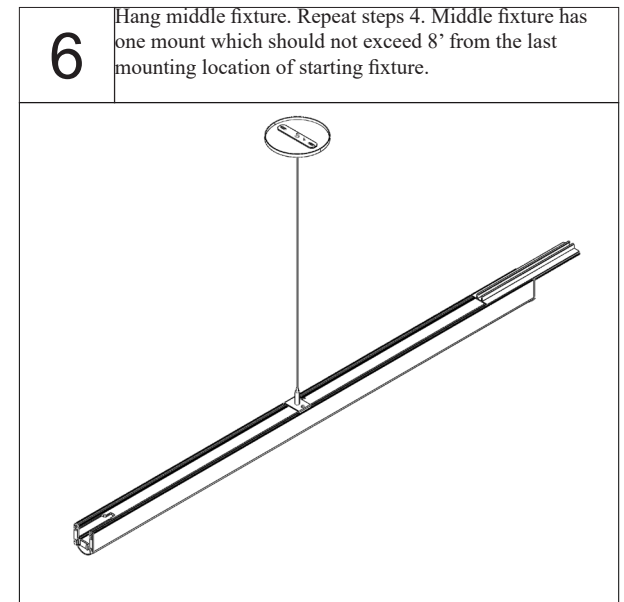
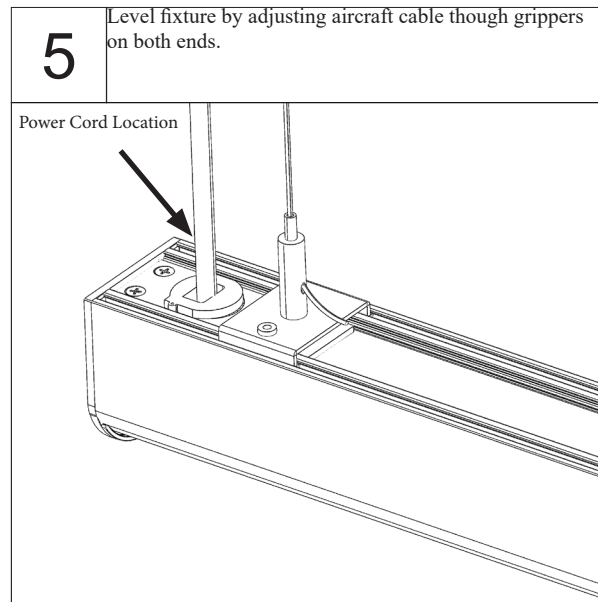
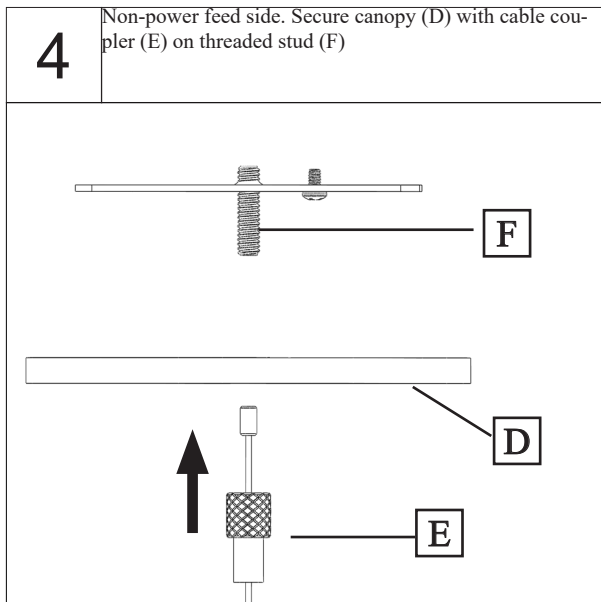
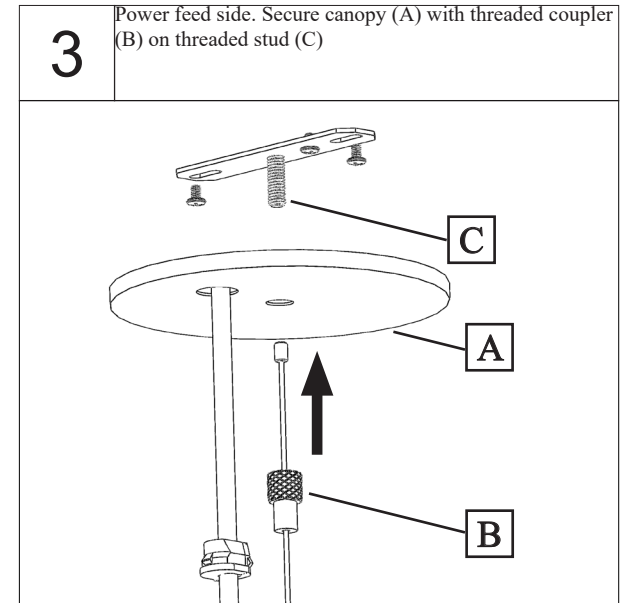
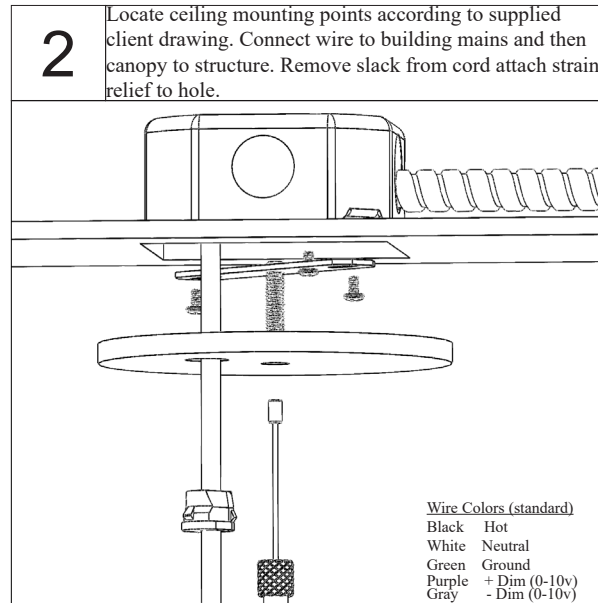
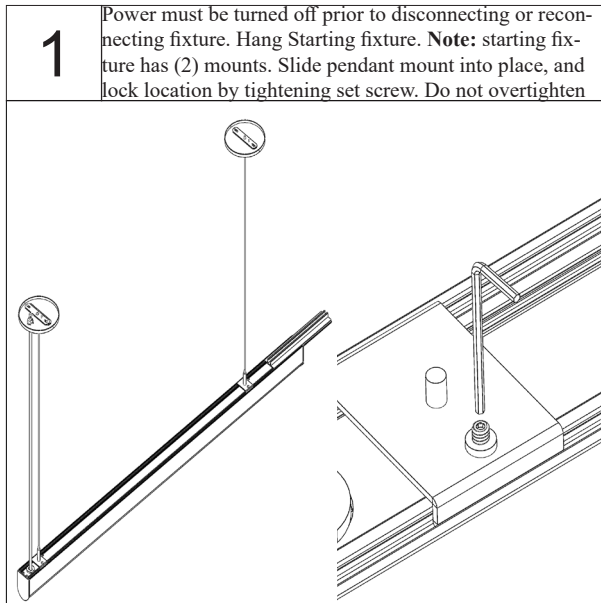


6 Restore power



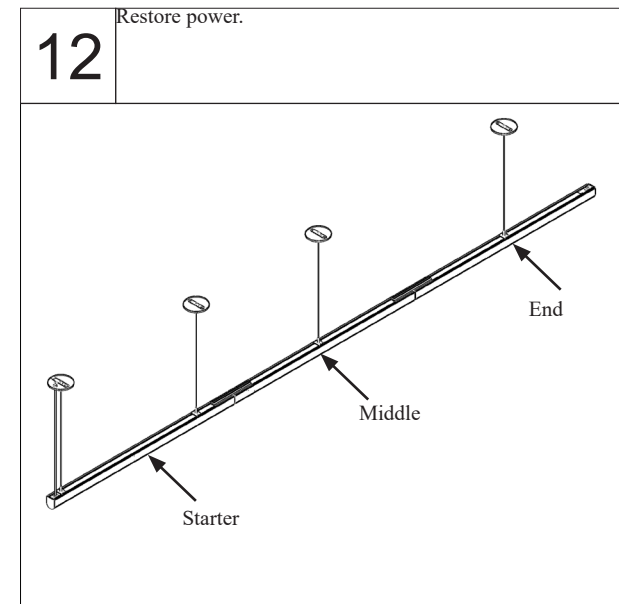
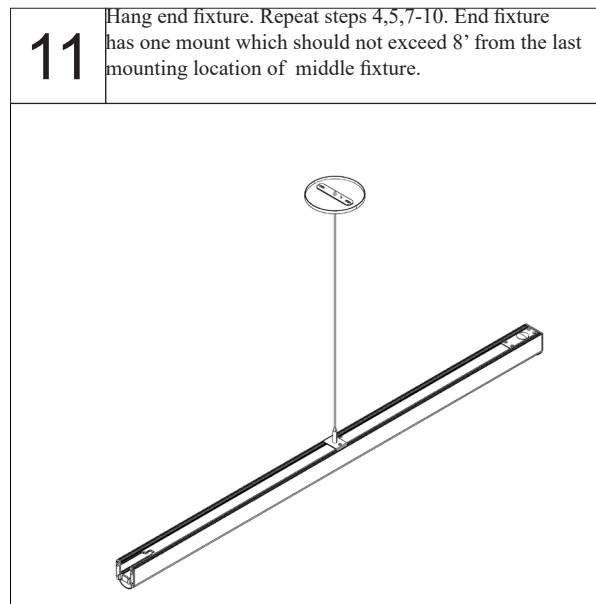
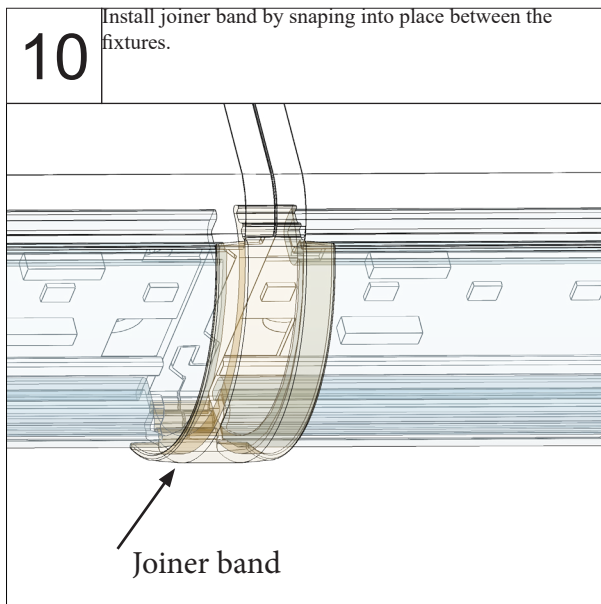
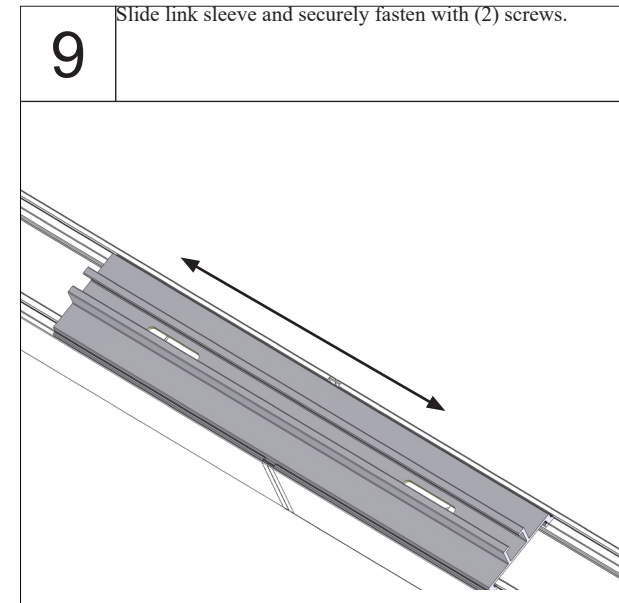
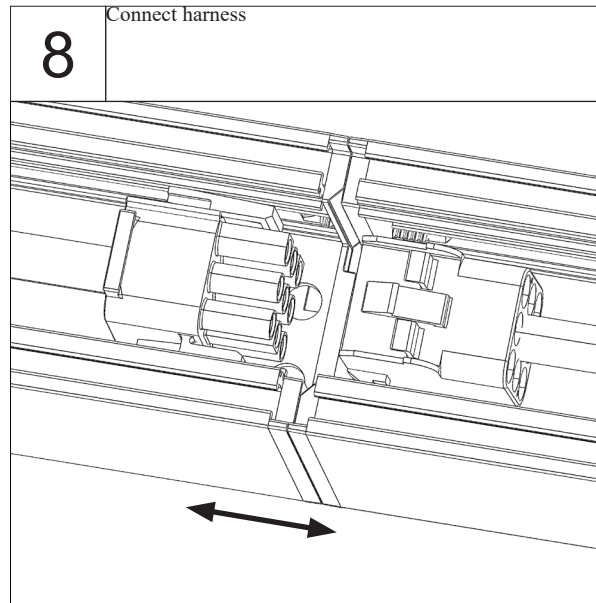
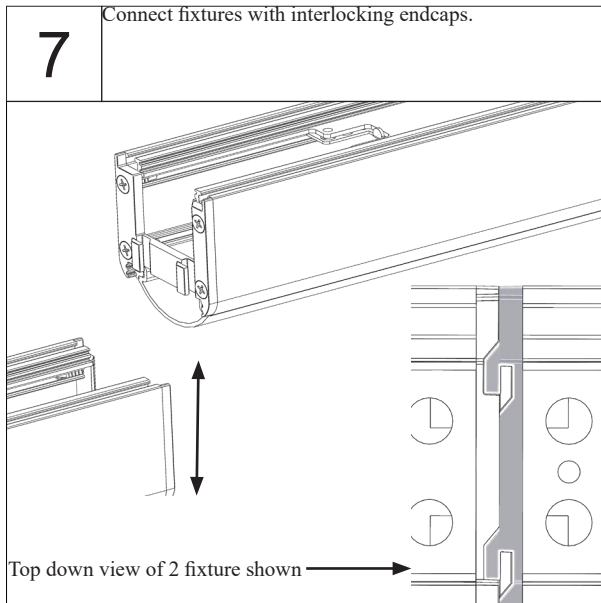
INSTALLATION INSTRUCTIONS

Continuous Pendant Mount (ACxxx)



INSTALLATION INSTRUCTIONS

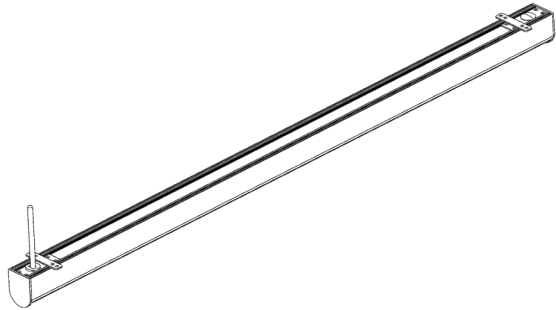
Continuous Pendant Mount (ACxxx)



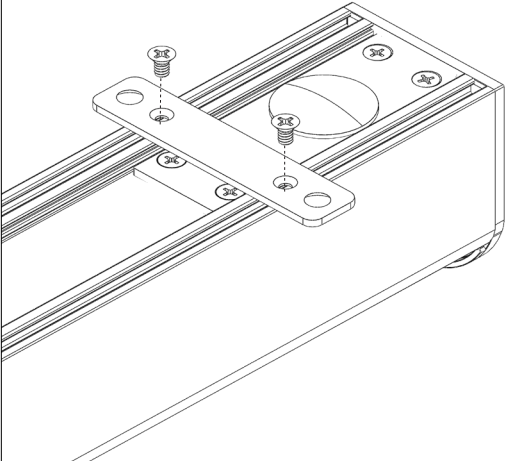
INSTALLATION INSTRUCTIONS

Individual Surface Mount (SM)

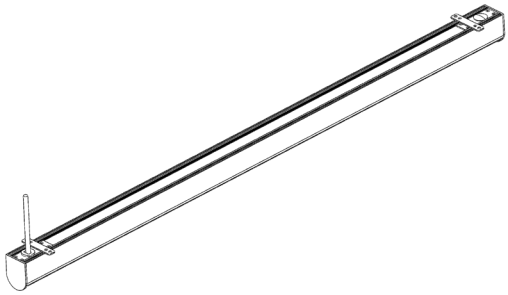
1 Power must be turned off prior to disconnecting or reconnecting fixture.



2 Loosen surface mount brackets and slide into desired position between middle and end of fixture. Tighten screws to lock the bracket in place on fixture.

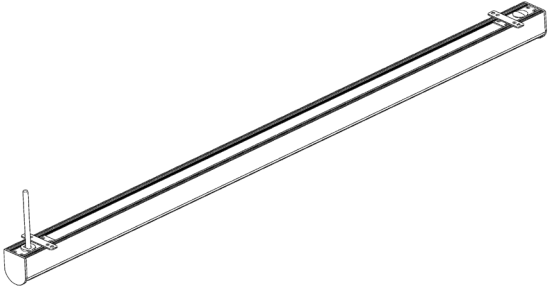


3 Connect wire to building mains. Position fixture and secure the surface mount bracket to structure with appropriate hardware.



Wire Colors (standard)
 Black Hot
 White Neutral
 Green Ground
 Purple + Dim (0-10v)
 Gray - Dim (0-10v)

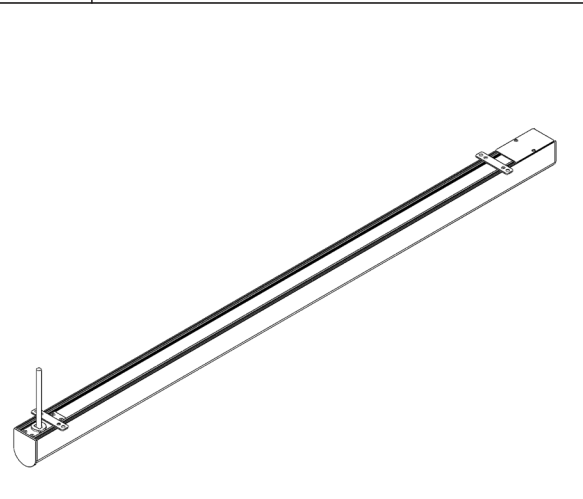
4 Restore power



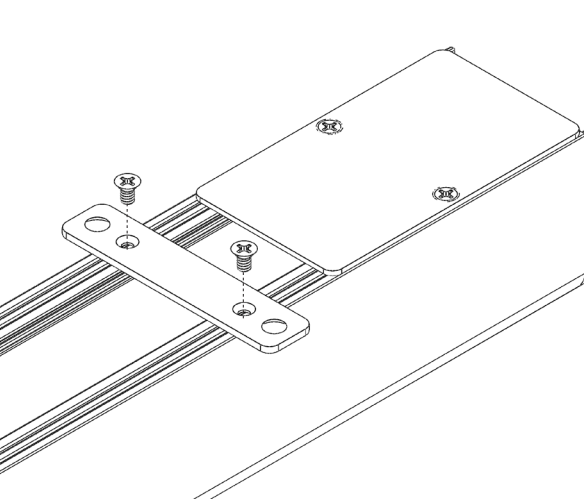
INSTALLATION INSTRUCTIONS

Continuous Surface Mount (SM)

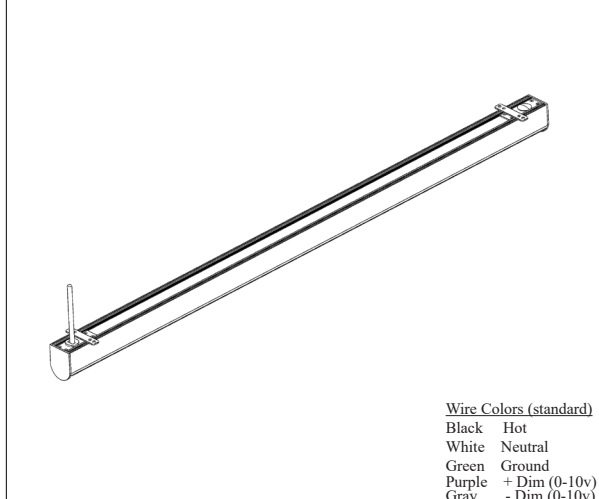
1 Power must be turned off prior to disconnecting or reconnecting fixture.



2 Loosen surface mount brackets and slide into desired position between middle and end of fixture. Tighten screws to lock the bracket in place on fixture.

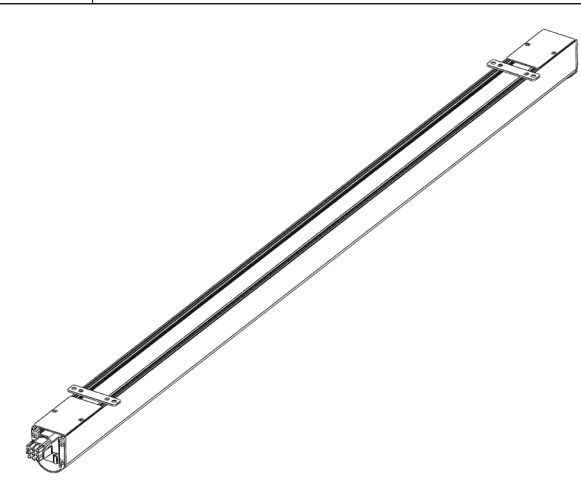


3 Connect wire to building mains. Position fixture and secure the surface mount bracket to structure with appropriate hardware.

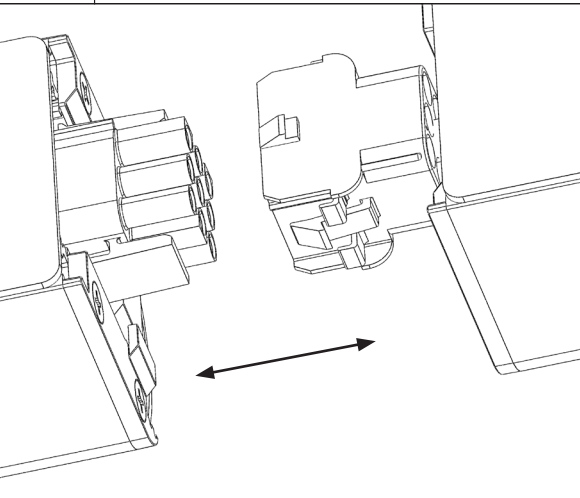


Wire Colors (standard)
 Black Hot
 White Neutral
 Green Ground
 Purple + Dim (0-10v)
 Gray - Dim (0-10v)

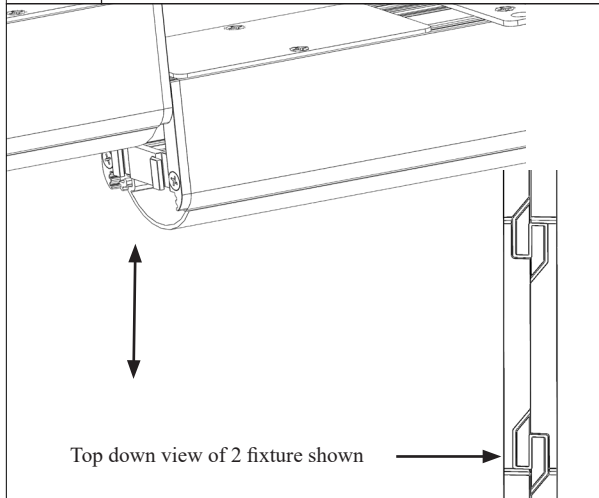
4 Hang middle fixture.



5 Connect harness



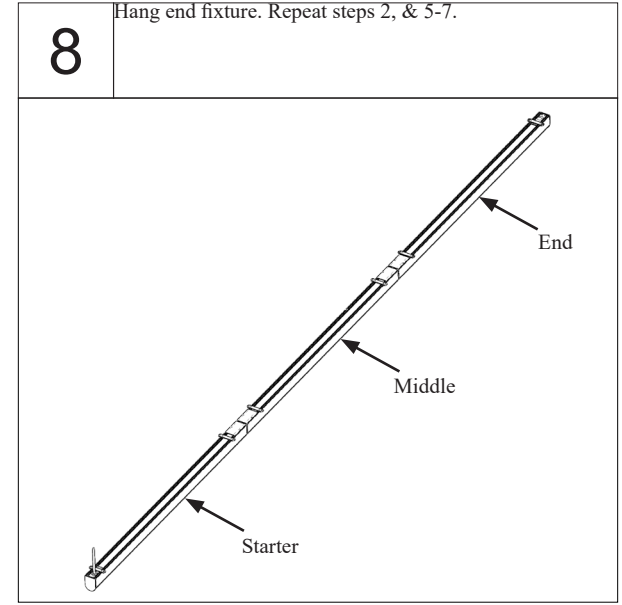
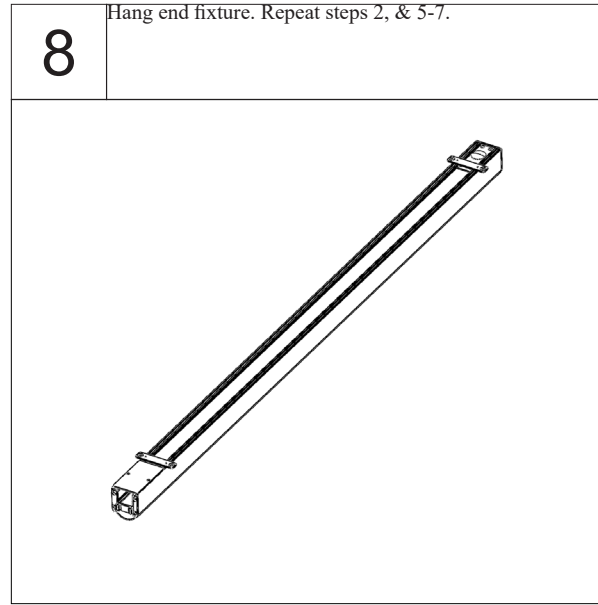
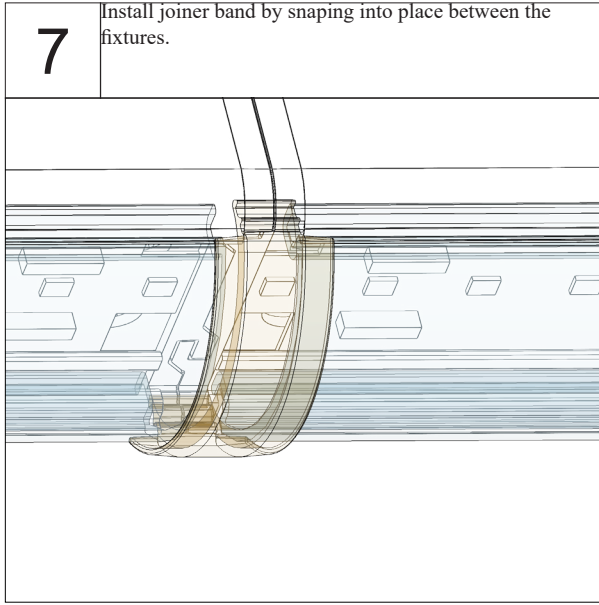
6 Connect fixtures with interlocking endcaps.



Top down view of 2 fixture shown

INSTALLATION INSTRUCTIONS

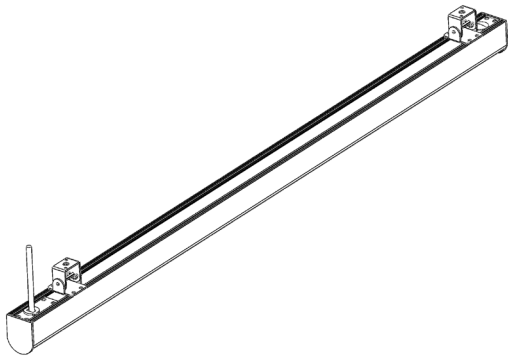
Continuous Surface Mount (SM)



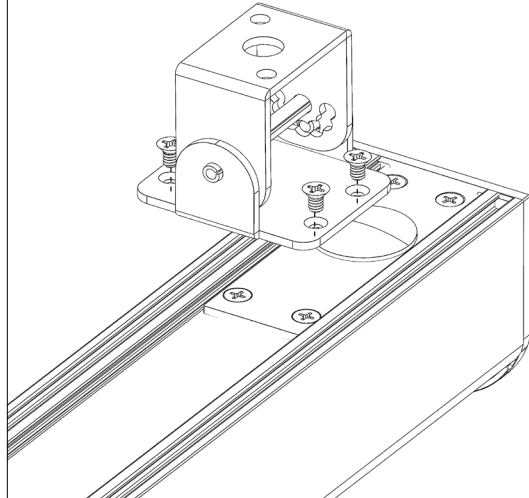
INSTALLATION INSTRUCTIONS

Individual Rotational Mount (RM)

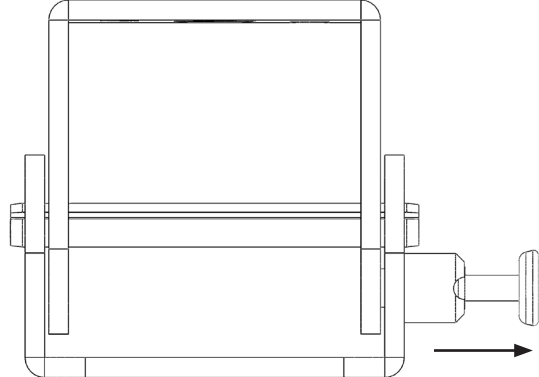
1 Power must be turned off prior to disconnecting or reconnecting fixture.



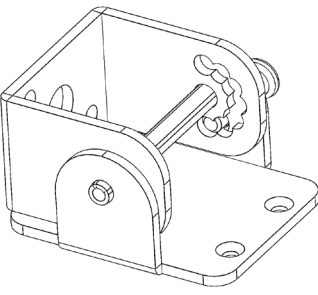
2 Loosen rotational mount brackets and slide into desired position between middle and end of fixture. Tighten screws to lock position of bracket.



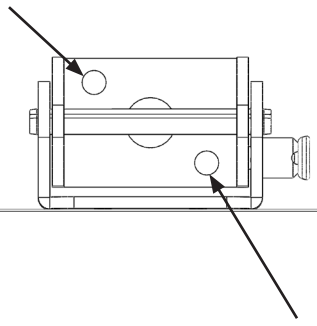
3 Pull pin out to move top of rotational mount into a 90 degree position. Release pin to lock position.



4

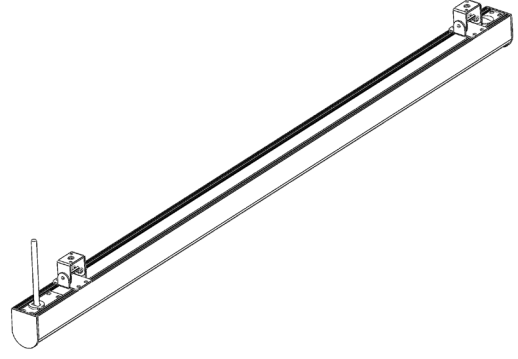


5 Secure rotational mount to structure with appropriate hardware. Wire to building mains.



Wire Colors (standard)
 Black Hot
 White Neutral
 Green Ground
 Purple + Dim (0-10v)
 Gray - Dim (0-10v)

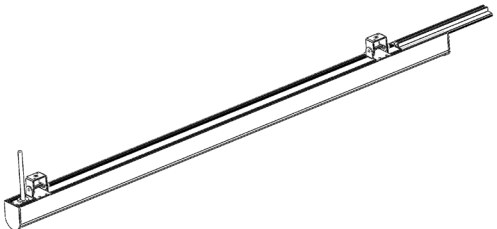
6 Pull pins on rotational mount to place fixture into desired position. Restore power



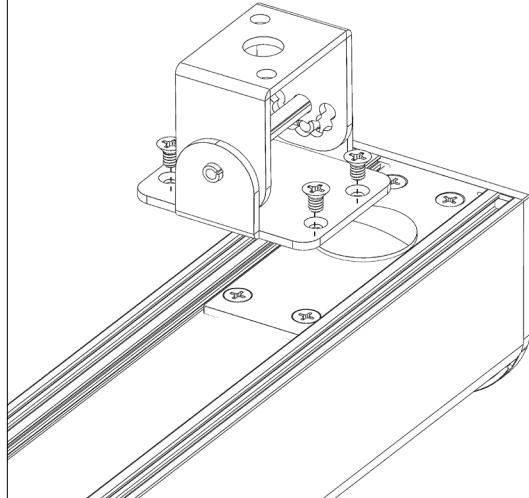
INSTALLATION INSTRUCTIONS

Continuous Rotational Mount (RM)

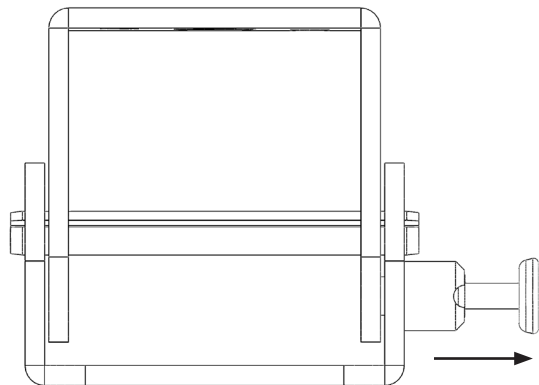
1 Power must be turned off prior to disconnecting or reconnecting fixture.



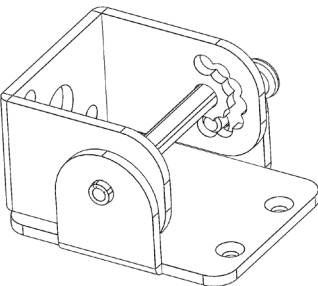
2 Loosen rotational mount brackets and slide into desired position between middle and end of fixture. Tighten screws to lock position of bracket.



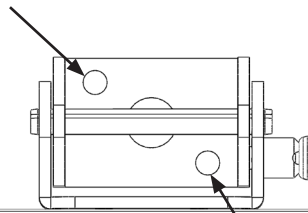
3 Pull pin out to move top of rotational mount into a 90 degree position. Release pin to lock position.



4

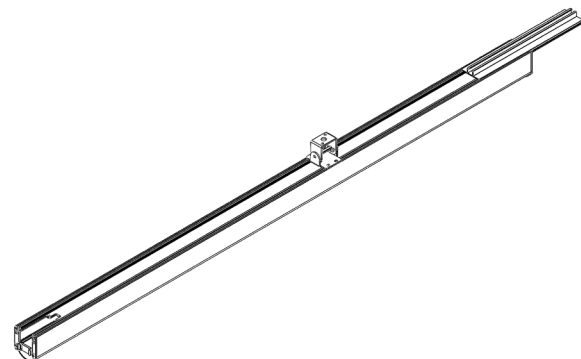


5 Secure rotational mount to structure with appropriate hardware. Wire to building mains. Pull pins on rotational mount to place fixture into desired position.



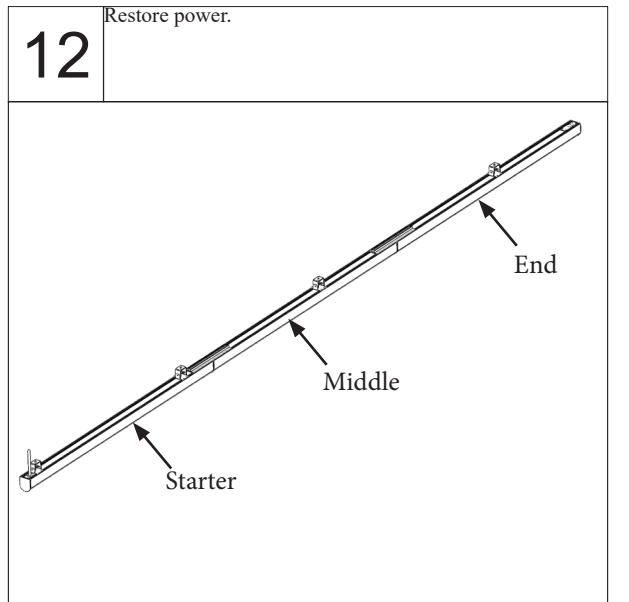
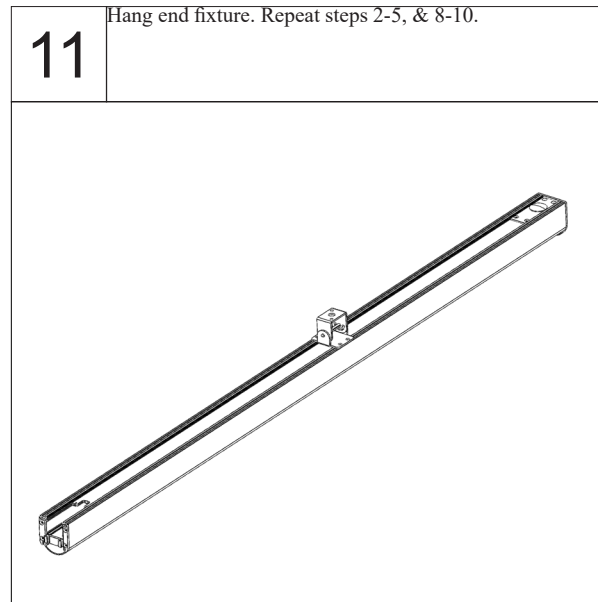
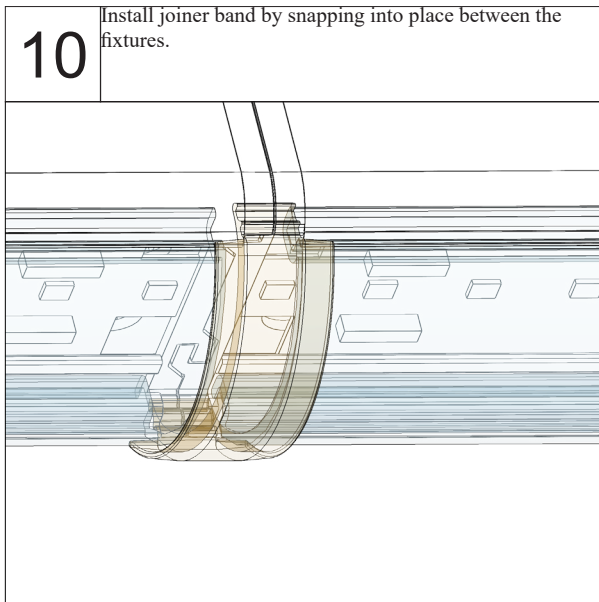
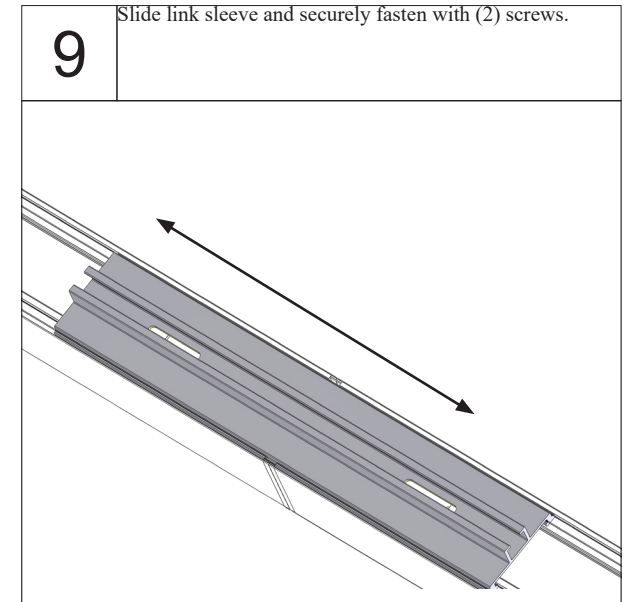
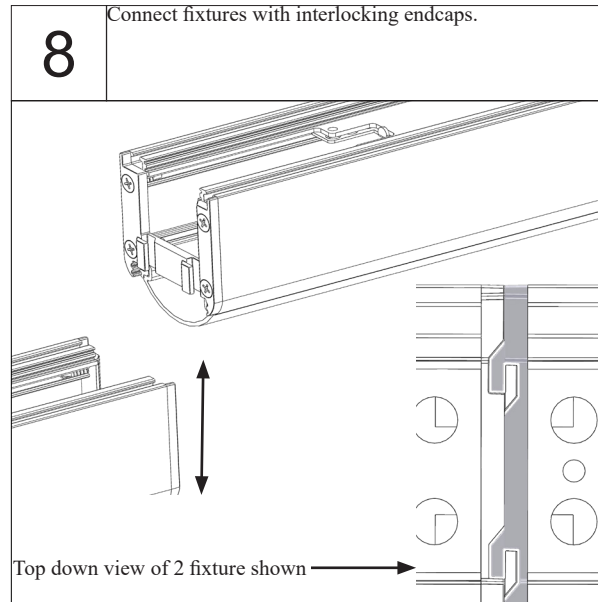
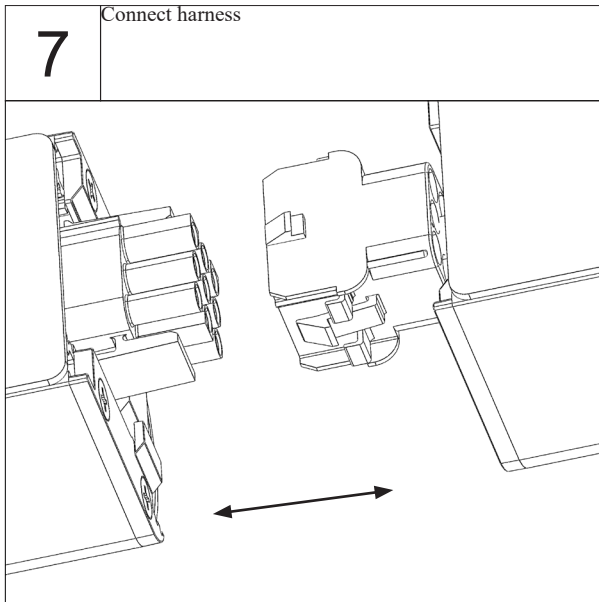
Wire Colors (standard)
 Black Hot
 White Neutral
 Green Ground
 Purple + Dim (0-10v)
 Gray - Dim (0-10v)

6 Hang middle fixture. Repeat steps 2-5



INSTALLATION INSTRUCTIONS


Continuous Rotational Mount (RM)



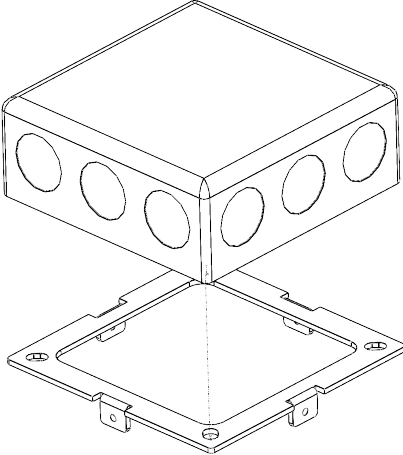
INSTALLATION INSTRUCTIONS

Individual Junction Box Mount (BX4)

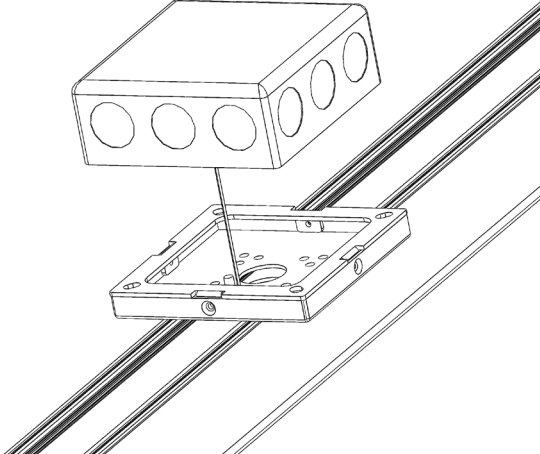
1 Power must be turned off prior to disconnecting or reconnecting fixture.



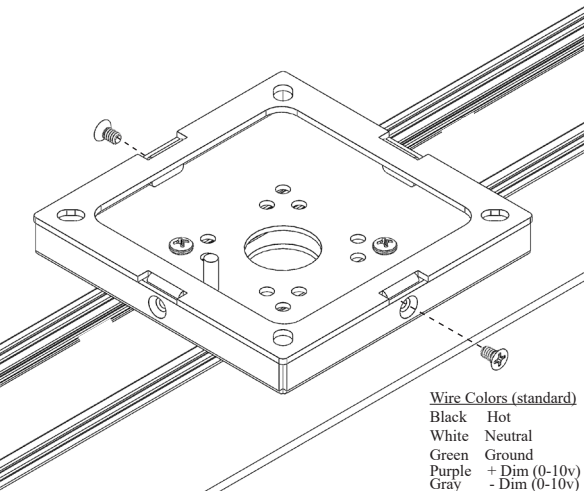
2 Attach provided mounting plate to the feed junction box (provided and installed by others).



3 Mounting plate comes attached to fixture.

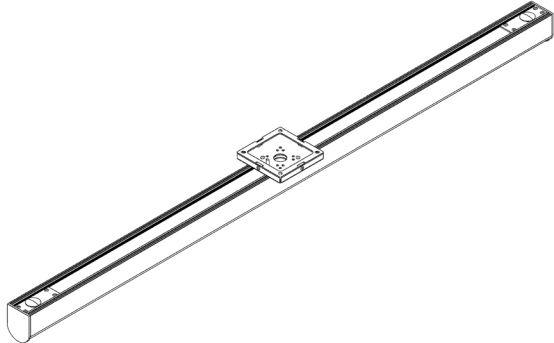


4 Connect wires to building mains. Attach fixture to mounting plate using screws.



Wire Colors (standard)
 Black Hot
 White Neutral
 Green Ground
 Purple + Dim (0-10v)
 Gray - Dim (0-10v)

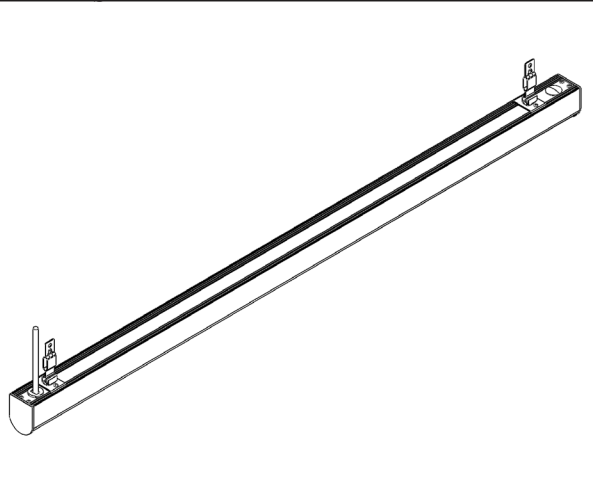
5 Restore power.



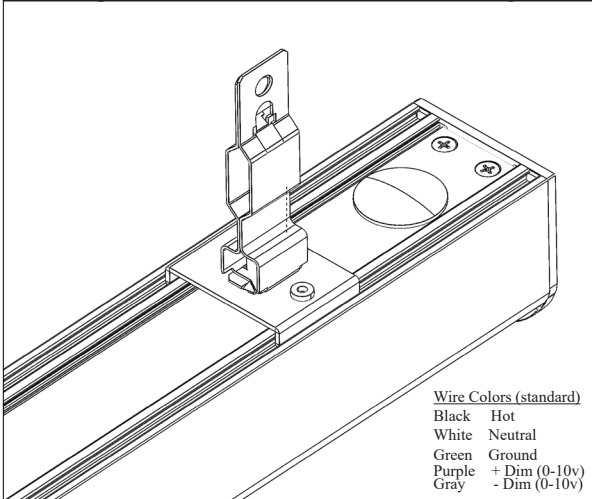
INSTALLATION INSTRUCTIONS

Individual T-Grid Mount (TM)

1 Power must be turned off prior to disconnecting or reconnecting fixture. **Note:** Do not use the grid to support for fixture. You must support fixture independently from the grid.

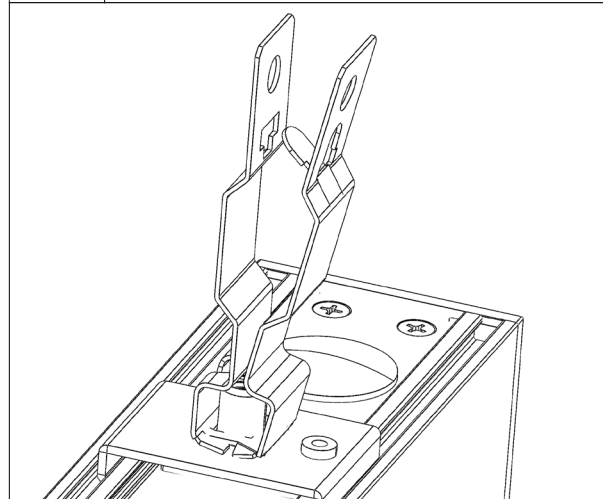


2 Attach independent support clip (caddy part 3 IDS or IDS9) to pendant mount bracket located on top of the fixture. Slide to desired location on fixture and lock in position with set screw. Connect wire to building mains.

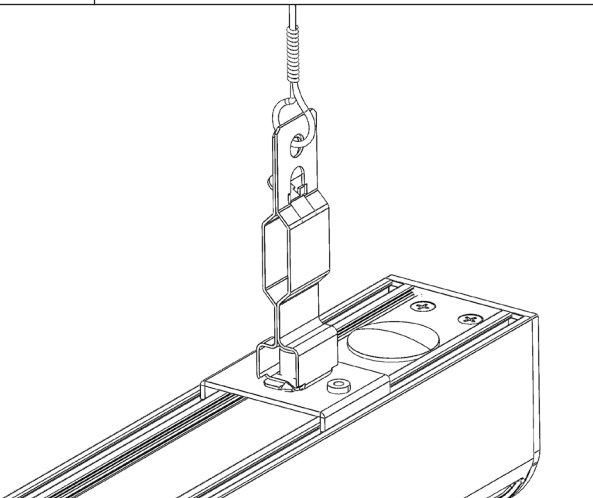


Wire Colors (standard)
 Black Hot
 White Neutral
 Green Ground
 Purple + Dim (0-10v)
 Gray - Dim (0-10v)

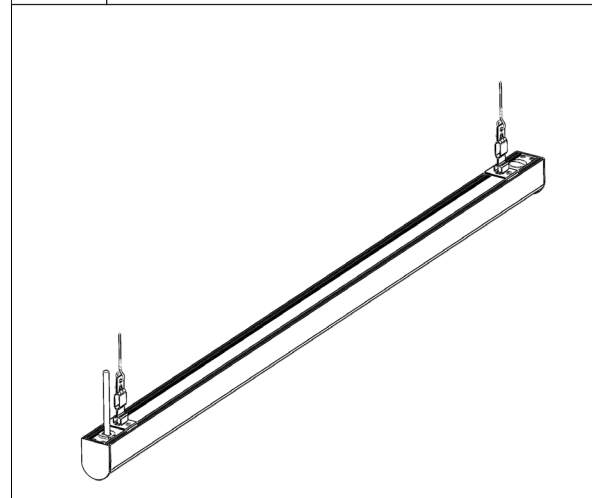
3 Attach fixture to 15/16" or 9/16" t-grid by folding two halves of the support clip around t-grid. Lock the two halves together.



4 Attach appropriately rated cable through hole and secure cable to structure.



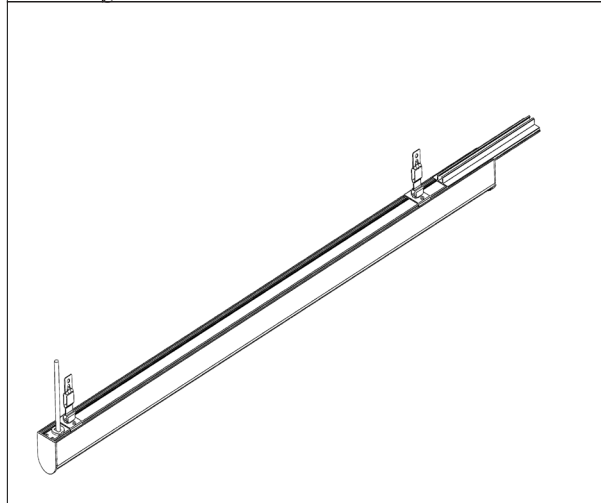
5 Restore power.



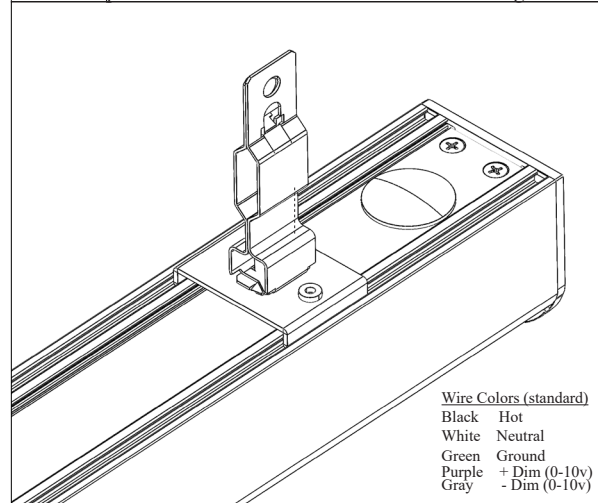
INSTALLATION INSTRUCTIONS

Continuous T-Grid Mount (TM)

1 Power must be turned off prior to disconnecting or reconnecting fixture. **Note:** Do not use the grid to support for fixture. You must support fixture independently from the grid.

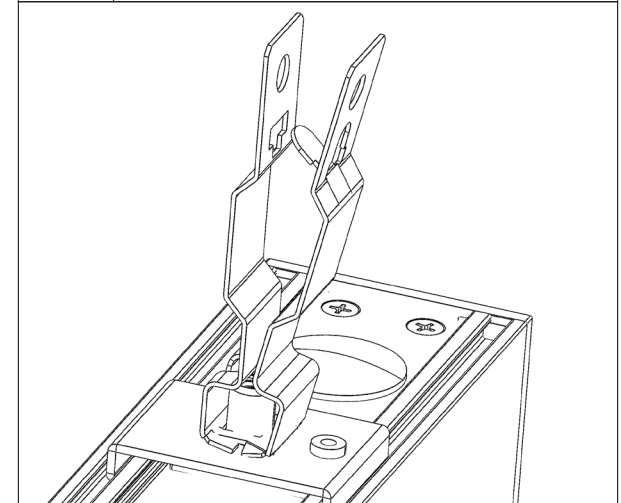


2 Attach independent support clip (caddy part 3 IDS or IDS9) to pendant mount bracket located on top of the fixture. Slide to desired location on fixture and lock in position with set screw. Connect wire to building mains.

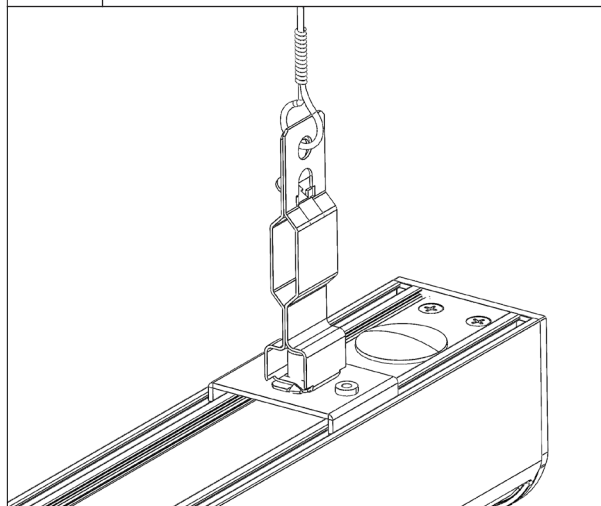


Wire Colors (standard)
 Black Hot
 White Neutral
 Green Ground
 Purple + Dim (0-10v)
 Gray - Dim (0-10v)

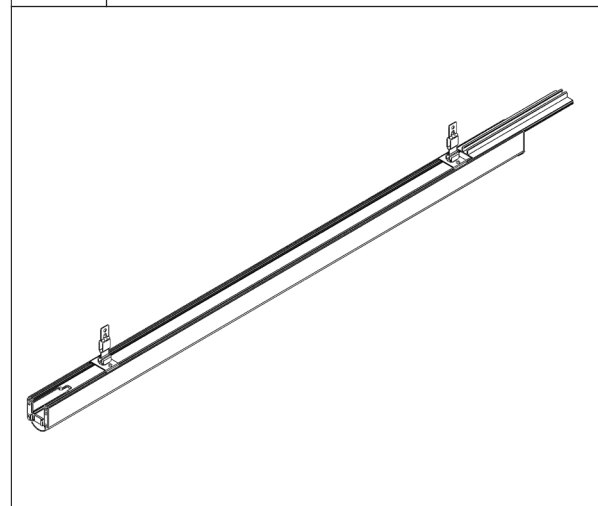
3 Attach fixture to 15/16" or 9/16" t-grid by folding two halves of the support clip around t-grid. Lock the two halves together.



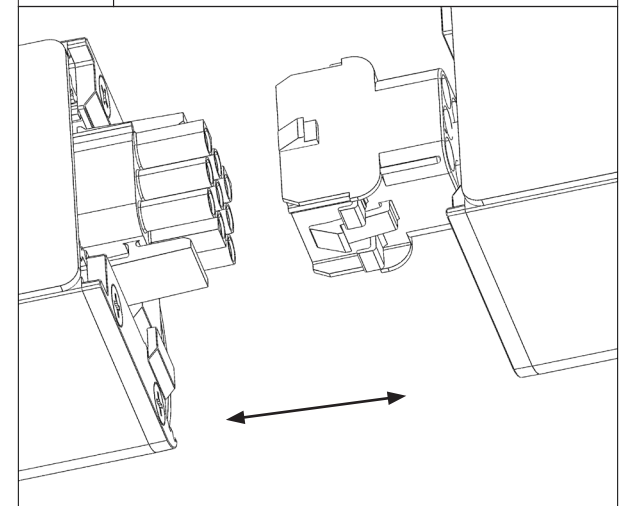
4 Attach appropriately rated cable through hole and secure cable to structure.



5 Hang middle fixture. Repeat step 2-4



6 Connect harness



INSTALLATION INSTRUCTIONS

Continuous T-Grid Mount (TM)

