

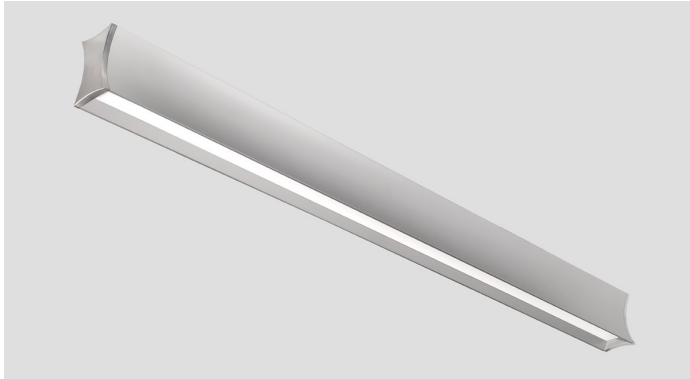
INSTALLATION INSTRUCTIONS

STARTEK

LIGHTING AMERICA

X BEAM DIRECT / DI
MODELS # X BEAMD
REV. 1.2

Note: All pictures shown are of
the X Beam D



WARNING

- ★ THIS PRODUCT MUST BE INSTALLED IN ACCORDANCE WITH THE APPLICABLE INSTALLATION CODE BY A PERSON FAMILIAR WITH THE CONSTRUCTION AND OPERATION OF THE PRODUCT AND THE HAZARDS INVOLVED.**

CE PRODUIT DOIT ETRE INSTALLE SELON LE CODE D'INSTALLATION PERTINENT, PAR UNE PERSONNE QUI CONNAIT BIEN LE PRODUIT ET SON FONCTIONNEMENT AINSI QUE LES RISQUES INHERENTS.
- ★ DISCONNECT POWER PRIOR TO ANY INSTALLATION.**

DEBRANCHEZ LE COURANT AVANT TOUTE INSTALLATION.
- ★ CAP ALL WIRING CONNECTIONS WITH UL APPROVED WIRE CONNECTORS.**

COUVRIER TOUTES LES CABLES AVE DES CONNECTIONS APPROUVES (UL).
- ★ VERIFY SUPPLY VOLTAGE MEETS LUMINAIRE LABEL SPECIFICATIONS.**

VERIFIEZ QUE LA TENSION SOIT COMPATIBLE AVEC LES CARACTERISTIQUES DU LUMINAIRE MARQUE SUR LETIQUETTE.
- ★ ALLOW FIXTURE TO COOL BEFORE TOUCHING HEATSINK OR LIGHT SOURCE.**

LAISSEZ LE PROJECTEUR REFOIDIR AVANT DE TOUCHER LE RADIATEUR OU LA SOURCE DE LUMIERE.
- ★ DO NOT ATTEMPT TO OPEN OR MAKE REPAIRS INSIDE LUMINAIRE.**

NE PAS TENTER DOUVRIER OU DE FAIRE DES REPARATINS A LINTERIEUR DU LUMINAIRE.
- ★ AVOID DIRECT VIEWING OF LIGHT SOURCE.**

EVITEZ DE REGARDER DIRECTMENT LA SOURCE LUMINEUSE.
- ★ THIS PRODUCT MUS BE INSTALLED BY A QUALIFIED ELECTRICIAN.**

CE PRODUIT DOIT ITRE INSTALLE PAR UN ELECTRICIEN QUALIFIE.
- ★ SUITABLE FOR UNDER-CABINET MOUNT.**

ADAPTE POUR SOUS-CABINET MOUNT.
- ★ SUITABLE FOR DAMP LOCATION.**

ADAOTE POUR DES ENDROITS HUMIDES.
- ★ MIN 105° C SUPPLY CONDUCTORS.**

MIN 105° C ALIMENTATION CONDUCTEURS.
- ★ SUITABLE FOR CONTINUOUS ROW MOUNTING.**

ADAPTE POUR CONTINU ROW MONTAGE.

4/27/2022 - PAGE 1

INSTALLATION INSTRUCTIONS

X BEAM DIRECT/INDIRECT
MODELS # X BEAMDI
REV. 1.2



LIGHTING AMERICA

X BEAM DIRECT / DI
MODELS # X BEAMD
REV. 1.2

General Safety Information

- DO NOT INSTALL DAMAGED PRODUCT!
- To reduce the risk of death, personal injury or property damage from fire, electric shock, falling parts, cuts/abrasions, and other hazards read all warnings and instructions included
- Before installing, servicing, or performing routine maintenance upon the equipment, follow these general precautions
- Commercial installation, service and maintenance of luminaires should be performed by a qualified licensed electricians
- This fixture is intended to be connected to a properly installed and grounded UL listed junction box

Warning

RISK OF ELECTRICAL SHOCK

- Turn off electrical power at fuse or circuit breaker box before wiring fixture to the power supply.
- Verify that supply voltage is correct by comparing it with the luminaire label information.
- Make all electrical and grounded connections in accordance with the national electrical Code and any applicable local code requirements.

INSTALLATION INSTRUCTIONS



LIGHTING AMERICA

X BEAM DIRECT / DI
MODELS # X BEAMD
REV. 1.2

Provided Parts List

The components have been packed to avoid damage during transit. Inspect the components to confirm there is no physical damage. Do not install damaged components. The carton contains the following:

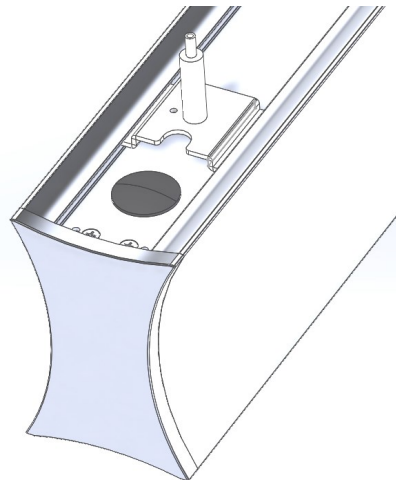
- ★ X Beam fixture
- ★ Mounting brackets and hardware (may be attached to fixture depending on mounting type)
- ★ Lensing (shipped separate from fixtures for continuous row installations)
- ★ Installation Manual

Mounting

Inspect mounting location for damage. Make sure the structure can support the weight of the fixture. Follow all UL, NEC and minimum load rating guidelines when selecting and installing mounting hardware for the fixture.

Pendant Mount Instructions

Pendant Mount Fixtures come standard with adjustable gripper that accepts 1/16" aircraft cable. Adjust gripper location by loosening set screw and sliding into position along the top of the fixture. Tighten set screw to lock mounting bracket in place.



(Mounting accessories shown in contrasting color to provide detail. Fixtures are shipped with matching mounting accessories, unless specified otherwise.)

4/27/2022 - PAGE 3

INSTALLATION INSTRUCTIONS

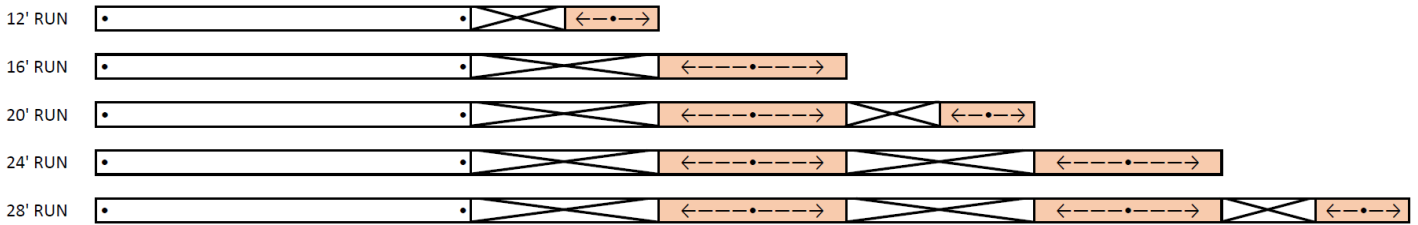


LIGHTING AMERICA

X BEAM DIRECT / DI
 MODELS # X BEAMD
 REV. 1.2

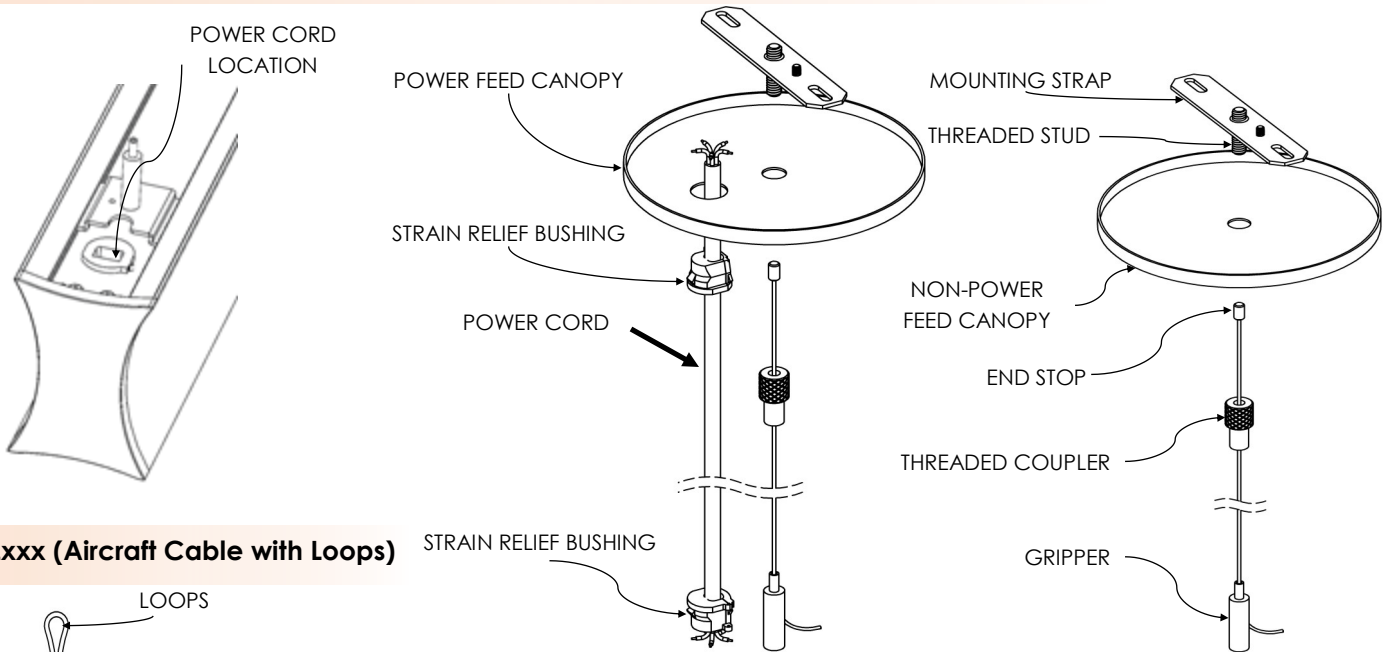
Mount Location/ Row Configurations

Each starter fixture will be provided with (2) mounting supports. Each additional fixture will be provided with (1) support which can be located anywhere along the 2nd half of the fixture (highlighted):



Mount Option

ACxxx (Aircraft Cable with Canopy) - Drywall, Solid, Tile (On-Grid), Tile (Off-Grid)



(Mounting accessories shown in contrasting color to provide detail. Fixtures are shipped with matching mounting accessories, unless specified otherwise.)

INSTALLATION INSTRUCTIONS

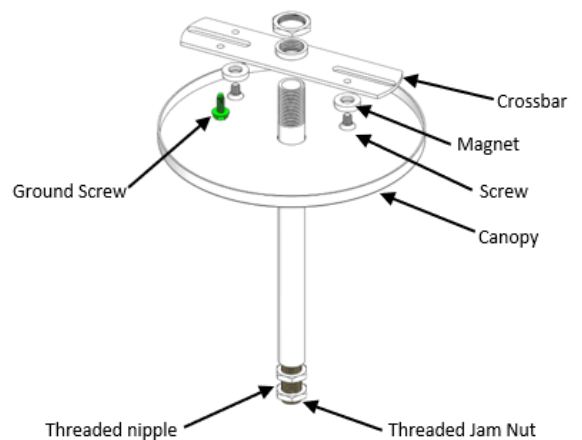
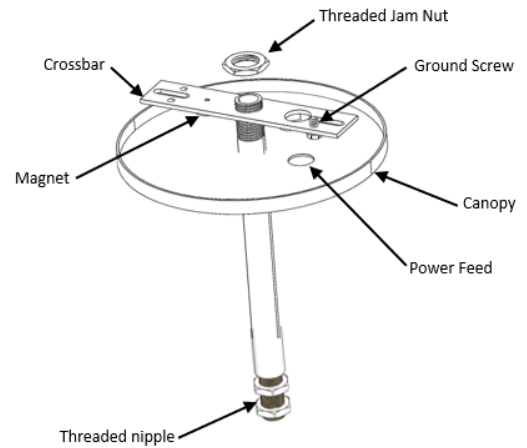
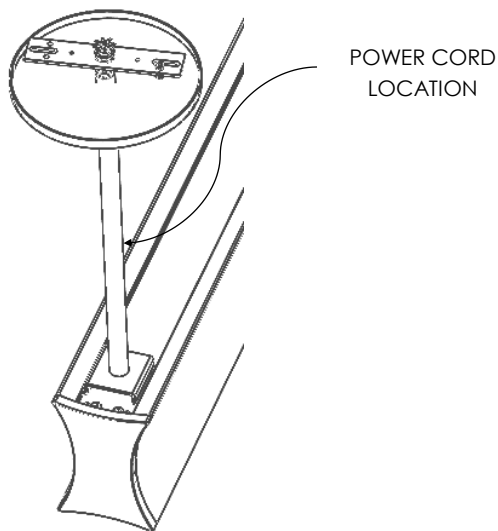


LIGHTING AMERICA

X BEAM DIRECT / DI
MODELS # X BEAMD
REV. 1.2

Mount Option Cont

STEMxxx (Stem Mount with Canopy)



(Mounting accessories shown in contrasting color to provide detail. Fixtures are shipped with matching mounting accessories, unless specified otherwise.)

INSTALLATION INSTRUCTIONS



LIGHTING AMERICA

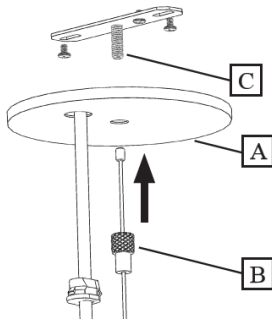
X BEAM DIRECT / DI
MODELS # X BEAMD
REV. 1.2

X BEAM Direct Installation

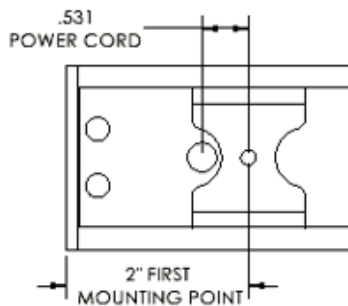
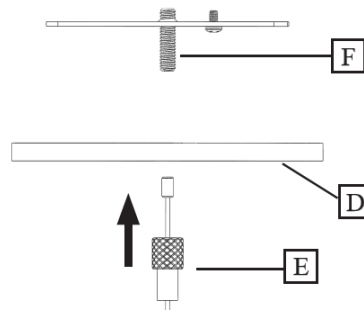
Individual Fixture Installation PM

1. Power must be turned OFF prior to disconnecting or reconnecting the fixture
2. If fixture is not fitted with existing plug, connect fixture wiring to building mains wiring. Use only UL listed wiring devices. Purple and Gray leads are used for 0-10 dimming ONLY. Cap wires if not used (see below). Mains wiring connected by the installer must be rated for the load per (NEC) National electric code and/or local electric code. *
3. Restore power and verify operation.

Power feed side. Secure canopy (A) with threaded coupler (B) on threaded stud (C)



Non-power feed side. Secure canopy (D) with cable coupler (E) on threaded stud (F)



INSTALLATION INSTRUCTIONS



LIGHTING AMERICA

X BEAM DIRECT / DI
MODELS # X BEAMD
REV. 1.2

X BEAM Direct Installation

Continuous Row Installation PM

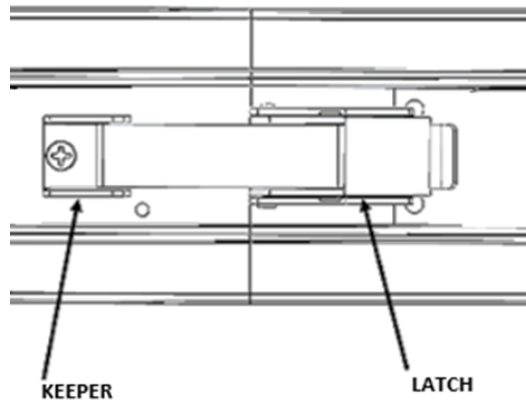
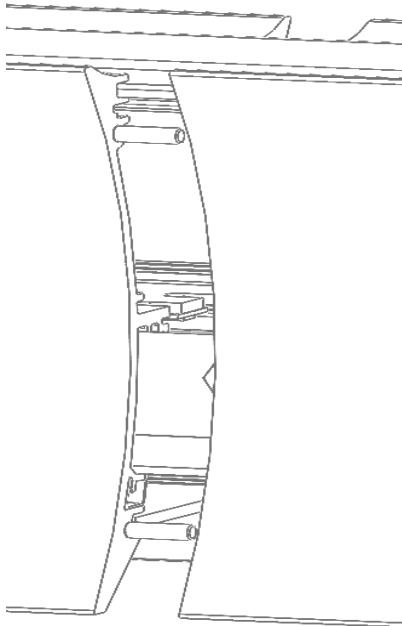
1. Power must be turned off prior to disconnecting or reconnecting the fixture
2. Identify different fixture types for each row

Starter Fixture: Stripped wires/cord on one side, male connector on the other side has 2 mounts

Middle Fixture: Female connector on one side, male connector on the other side

End Fixture: Female connector on one side, closed end cap on the other side

3. Attach starter fixture to structure. Connect starter fixture wiring to mains. Use only UL listed wiring devices. Purple and gray leads are used for 0-10 dimming only. Cap wires if not used (see below). The wiring inside the fixtures is rated 14AWG. Line side wiring connected by the installer must be rated for the load per (NEC) National electric code and/or local electric code. *
4. Support middle Fixture or end fixture depending on row length
5. Attach middle fixture or end fixture by aligning the dowel pins, once aligned compress the two fixtures together. Use the latch to safely secure the fixtures together.



Important:

During installation if the need arises to remove a linking fixture from the length of fixtures, use a screw driver to release the latch.

INSTALLATION INSTRUCTIONS



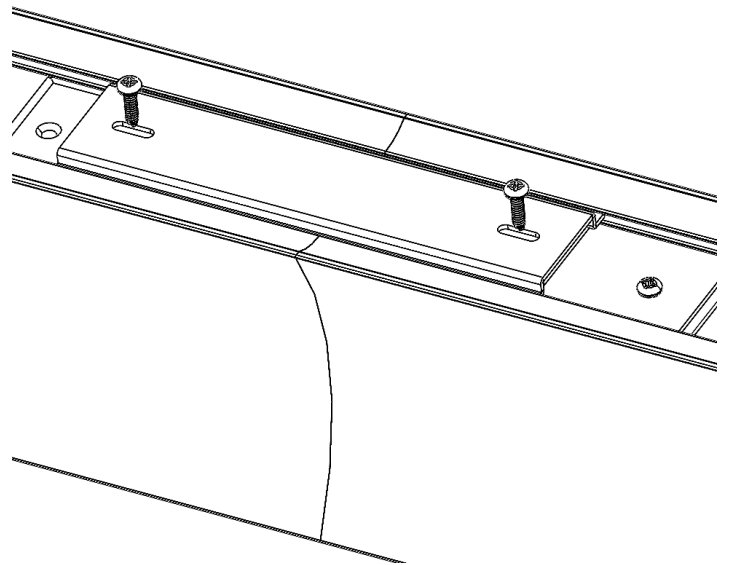
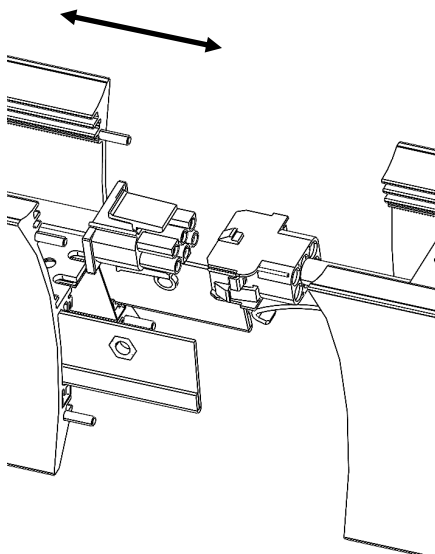
LIGHTING AMERICA

X BEAM DIRECT / DI
MODELS # X BEAMD
REV. 1.2

X BEAM Direct Installation

Continuous Row Installation PM

6. Connect wiring harness of fixtures
7. Slide external sleeve from fixture 1 over to fixture 2. Line up sleeve with holes and lock sleeve with 2 screws.
8. Repeat steps 3-7 for additional fixtures
9. Restore power



INSTALLATION INSTRUCTIONS



LIGHTING AMERICA

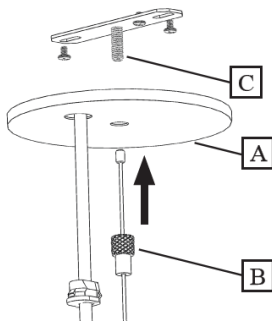
X BEAM DIRECT / DI
MODELS # X BEAMD
REV. 1.2

X BEAM Direct Installation

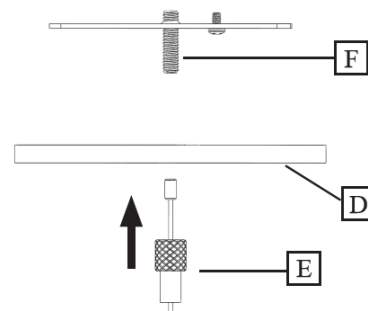
Individual Fixture Installation (Stem Mount with Canopy)

1. Power must be turned off prior to disconnecting or reconnecting the fixture
2. If fixture is not fitted with existing plug, connect fixture wiring to building mains wiring. Use only UL listed wiring devices. Purple and gray leads are used for 0-10 dimming only. Cap wires if not used (see below). Mains wiring connected by the installer must be rated for the load per (NEC) National electric code and/or local electric code. *
3. Restore power and verify operation.

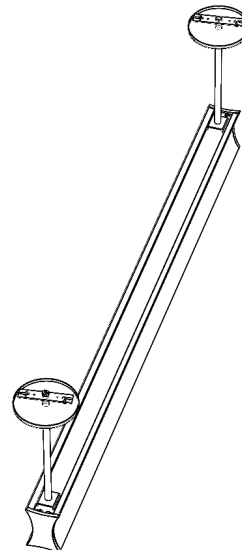
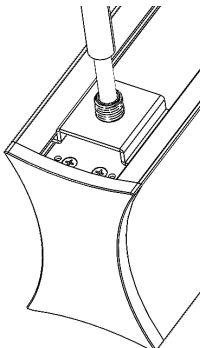
Power feed side. Secure canopy (A) with threaded coupler (B) on threaded stud (C)



Non-power feed side. Secure canopy (D) with cable coupler (E) on threaded stud (F)



Feed power through pm mount bracket, nipple, stem and connect threaded stem to canopy.



INSTALLATION INSTRUCTIONS



LIGHTING AMERICA

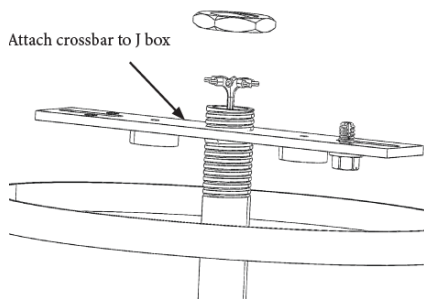
X BEAM DIRECT / DI
MODELS # X BEAMD
REV. 1.2

X BEAM Direct Installation

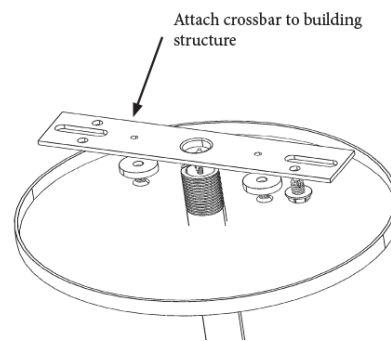
Continuous Row Installation (Stem Mount with Canopy)

1. Power must be turned OFF prior to disconnecting or reconnecting the fixture
2. Identify different fixture types for each row
Starter Fixture: Stripped wires/cord on one side, male connector on the other side
Middle Fixture: Female connector on one side, male connector on the other side
End Fixture: Female connector on one side, closed end cap on the other side
3. Attach starter fixture to structure. Connect starter fixture wiring to mains. Use only UL listed wiring devices. Purple and gray leads are used for 0-10 dimming only. Cap wires if not used (see below). The wiring inside the fixtures is rated 14AWG. Line side wiring connected by the installer must be rated for the load per (NEC) National electric code and/or local electric code. *
4. Support middle Fixture or end fixture depending on row length
5. Attach middle fixture or end fixture by aligning the dowel pins, once aligned compress the two fixtures together. Use the latch to safely secure the fixtures together.

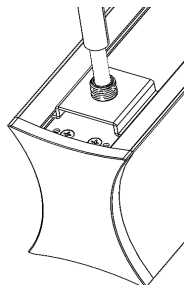
Power feed canopy



Non-power feed canopy



Feed power though pm
mount bracket, nipple, stem



INSTALLATION INSTRUCTIONS



LIGHTING AMERICA

X BEAM DIRECT / DI
MODELS # X BEAMD
REV. 1.2

X BEAM Direct Installation

Continuous Row Installation (Stem Mount with Canopy)

6. Connect wiring harness of fixtures
7. Slide external sleeve from fixture 1 over to fixture 2. Line up sleeve with holes and lock sleeve with 2 screws.
8. Repeat steps 3-7 for additional fixtures
9. Restore power

