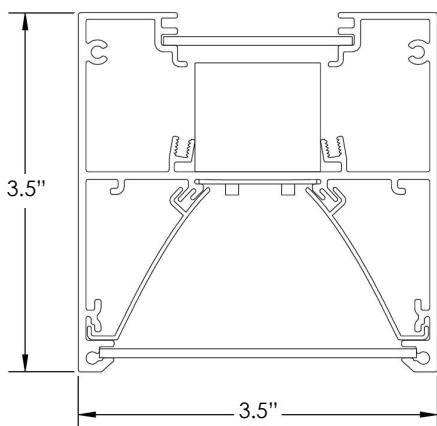


Type:	
Project:	
REP/Agent:	
Order #:	



5 DAY TURNAROUND

DIMENSIONS



FEATURES

- Shipment up to 500' in 5 working days
- Continuous lensing standard- runs up to 200'
- Extruded aluminum single piece housing
- 2', 4', 6' and 8' individual units, or continuous rows
- Linear runs with proprietary joiner design
- Light levels can be set at the factory
- Efficacy up to 135 lm/W
- Soft diffuse direct lighting
- Textured powder coat finishes available in white and black
- Approved for dry and damp locations
- 0-10v dimming is standard
- Dim to 1% of output current is standard



LUMEN PACKAGES

Based on 3500K CCT. Other CCT available.

MODEL	LUMENS	INPUT WATTS	Lm/W
WS-BEAMD-4-750-WD-35K-80	3,000	24	125
WS-BEAMD-8-750-WD-35K-80	6,000	45	133

ORDERING LOGIC

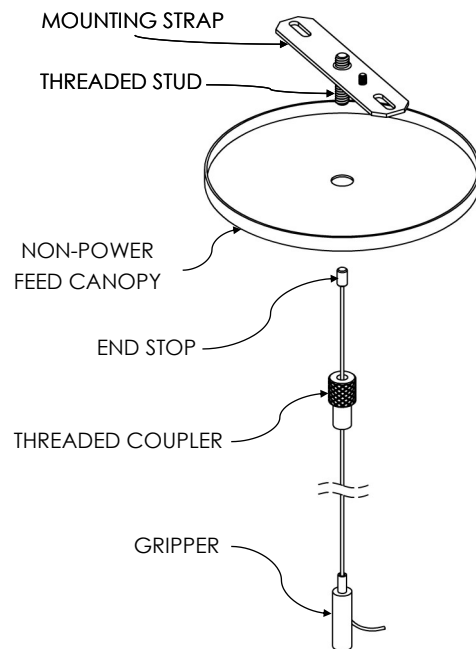
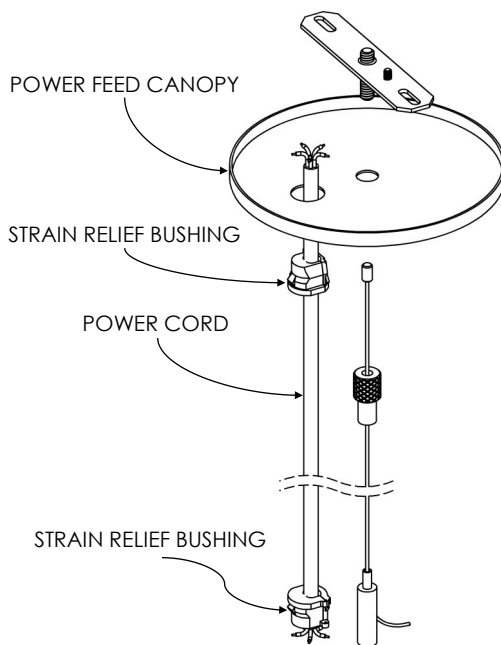
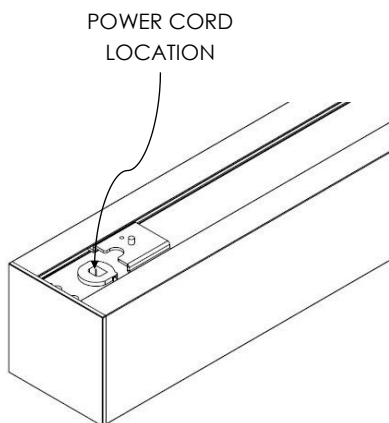
WS-BEAMD	-		-		-		-	
SERIES	-	LENGTH	-	LUMENS PER FOOT	-	DISTRIBUTION	-	CCT
WS-BEAMD		xx =Run Length		350 =350 LPF 500 =500 LPF 750 =750 LPF 1000 =1000 LPF XXX =Custom LPF		SD =SatinIce Diffuse WD =Wide Diffuse		30K =3000K 35K =3500K 40K =4000K
CRI	-	FINISH	-	MOUNTING	-	VOLTAGE	-	ELECTRICAL
80 =80		STANDARD PW =Powder Coat White PB =Powder Coat Black		CABLES WITH CANOPY KITS ACW05 =White Cord 5' ACW10 =White Cord 10' ACB05 =Black Cord 5' ACB10 =Black Cord 10' CABLES WITH LOOPS ALW10 =White Cord 10' ALB10 =Black Cord 10'		U = 120-277		1C =Single Circuit

EXAMPLE: **WS-BEAMD-40-625-WD-35K-80-PW-ACW10-U-1C**

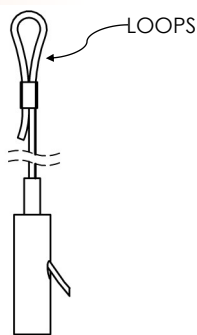
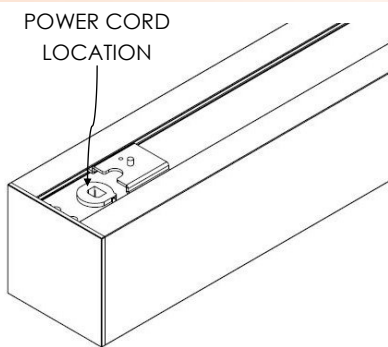
Type:	
Project:	
REP/Agent:	
Order #:	

MOUNTING OPTIONS

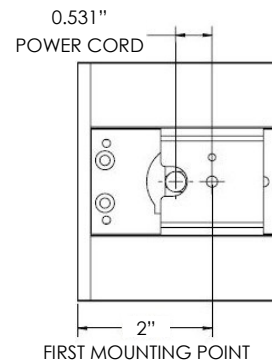
ACxxx (Aircraft Cable with Canopy) - Drywall, Solid, Tile (On-Grid), Tile (Off-Grid)



ALxxx (Aircraft Cable with Loops)



POWER CORD & FIRST MOUNT DETAIL



SPECIFICATIONS

Housing

Nominal 3.5" x 3.5" x .075" thick housing of continuous extruded 6063 T5 aluminum.

Color

Colors for the housing are available in a powder coated white and black.

Luminaire Length

2', 4', 6' & 8' lengths are available for a single stand-alone section. Using internal joiners, these sections can be joined to form longer runs.

End Caps

Injection molded flat end caps are mechanically attached with no exposed fasteners to enhance architectural aesthetic and prevent light leak.

Source

Lumen packages are available in three color temperature options (3000K, 3500K and 4000K) - all within 3 MacAdam ellipses.

Certification

Intertek cETLus Listed. RoHS (Restriction of Hazardous Substances) and Buy American Act compliant.

Lensing

0.080" thick impact resistant acrylic lensing.

Packaging

Sustainably manufactured outside cardboard box and biodegradable, protective poly-foam luminaire inserts.

Environment

Suitable for dry and damp locations.
Operating temp.: -40°C to +50°C
-40°F to +122°F

Dimming Driver (Integral Driver)

Universal Lighting Technologies (ULT) Everline series of LED drivers allows tunable output currents to achieve infinite configurations of output. UL Class 2 recognized. 0-10v interface can be wired as Class 1 or Class 2 circuit. Included 2.5Kw ring and wave overcurrent protection, isolation of each individual output and a fully potted driver to protect from heat and vibration. Power factor <.93

Warranty

http://www.starteklightingamerica.com/images/pdf/warranty/Beam_Series_Warranty.pdf