

# Nova 2 Hoop Direct

Type:	
Project:	

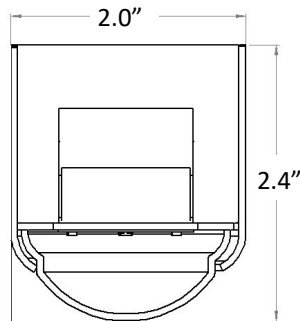


## FEATURES

- 4', 6' and 8' diameter fixtures available
- Efficacy up to 120 lm/W
- Soft diffuse direct lighting
- Powder coat finishes available in white, black and silver
- Proprietary optical band provides seamless light the entire length of the lens
- Custom colors available upon request\*
- Approved for dry and damp locations
- 0-10v dimming is standard
- Dim to 1% of output current
- Available in 120v or 277v



## DIMENSIONS



## LUMENS

Lumens can be specified within the ranges shown below, for the product size specified.

PRODUCT	LOW RANGE	HIGH RANGE
NHOOPD-4	3,500lm	10,000lm
NHOOPD-6	5,500lm	19,000lm
NHOOPD-8	7,500lm	25,000lm

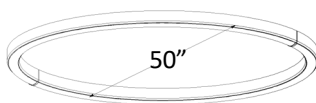
## ORDERING LOGIC

NHOOPD	SIZE	LUMENS**	SD	CCT (80+ CRI)	FINISH	MOUNTING***
SERIES			DISTRIBUTION			
NHOOPD	4=4FT 6=6FT 8=8FT	XX=Lumens  Specify lumens from the table on this page	SD=SatinIce Diffuse	30K=3000K 35K=3500K 40K=4000K 50K=5000K  Higher CRI / R9 options available	PW=Powder coat white PB=Powder coat black PS=Powder coat silver PO=Powder coat other*	ACW05=Aircraft Cables w/Canopy, White cord, 5' ACW10=Aircraft Cables w/Canopy, White cord, 10' ACB05=Aircraft Cables w/Canopy, Black cord, 5' ACB10=Aircraft Cables w/Canopy, Black cord, 10' APW05=Aircraft Cable to puck, White cord, 5'*** APW10=Aircraft Cable to puck, White cord, 10'*** APB05=Aircraft Cable to puck, Black cord, 5'*** APB10=Aircraft Cable to puck, Black cord, 10'*** SM=Surface Mount

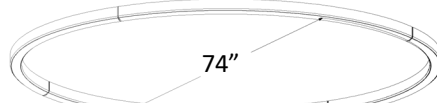
EXAMPLE: NHOOPD-6-5600-SD-35K-PB-ACB10

\* Factory to be provided with RAL# or color chip.  
\*\*Lumen package can be set at factory within requested range.  
\*\*\* See mounting details on page 2.

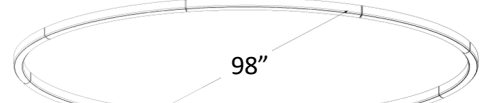
## OVERALL DIMENSIONS



HOOPD-4  
2-180° SEGMENTS



HOOPD-6  
4-90° SEGMENTS

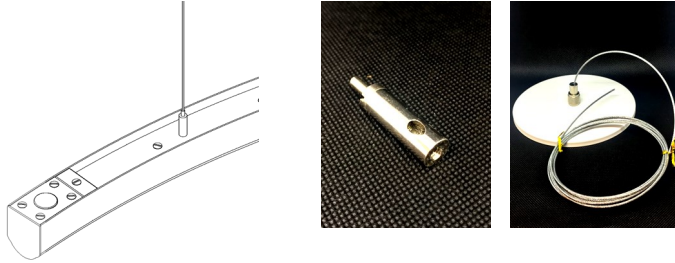


HOOPD-8  
8-45° SEGMENTS

Type:	
Project:	

## MOUNTING OPTIONS

### ACxxx



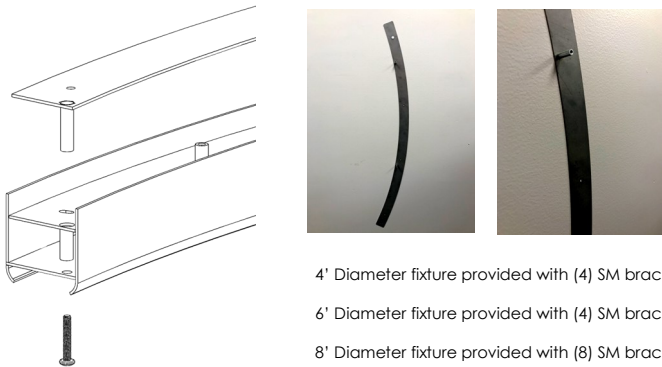
- ACW05**=Aircraft Cables w/Canopy, White cord, 5'
- ACW10**=Aircraft Cables w/Canopy, White cord, 10'
- ACB05** =Aircraft Cables w/Canopy, Black cord, 5'
- ACB10** =Aircraft Cables w/Canopy, Black cord, 10'
- APW05**=Aircraft Cable to puck, White cord, 5' (4' Diam.)
- APW10**=Aircraft Cable to puck, White cord, 10' (4' Diam.)
- APB05** =Aircraft Cable to puck, Black cord, 5' (4' Diam.)
- APB10** =Aircraft Cable to puck, Black cord, 10' (4' Diam.)
- SM**=Surface Mount

### APxxx



Note: AP mounting is only available with the 4' Diameter Hoop. 6' and 8' diameter fixtures must use the SM or AC mounting available.

### SM



- 4' Diameter fixture provided with (4) SM brackets
- 6' Diameter fixture provided with (4) SM brackets
- 8' Diameter fixture provided with (8) SM brackets

## OPTICAL JOINER



Our proprietary joiner band snaps easily into place to provide a seamless optical connection between lenses.

# Nova 2 Hoop Direct

Type:	
Project:	

## SPECIFICATIONS

### Housing

Constructed of #3003 0.060 fabricated aluminum formed into 2', 3' or 4' radii. The 4' diameter fixture is assembled in 2 pieces, the 6' diameter fixture is assembled in 4 pieces and the 8' diameter fixture is assembled in 8 pieces.

### Color

Colors for the housing are available in a powder coated white, black and silver. Consult factory for custom colors.

### Source

Four color temperature options (3000K, 3500K, 4000K and 5000K) — all within 2.5 MacAdam ellipses.

### Lens

Lensing for the Nova 2 uses 0.060 formed, high efficiency, high diffused impact modified acrylic with a proprietary lens band to produce even light along the entire length of the fixture.

### Certification

Intertek cETLus Listed. RoHS (Restriction of Hazardous Substances) and Made in USA.

### Packaging

Sustainably manufactured outside cardboard box and biodegradable, protective poly-foam luminaire inserts.

### Environment

Suitable for dry and damp locations.

### Dimming Driver

Universal Lighting Technologies (ULT) Everline series of LED drivers allows tunable output currents to achieve infinite configurations of output. UL Class 2 recognized. 0-10v interface can be wired as Class 1 or Class 2 circuit. Included 2.5Kw ring and wave overcurrent protection, isolation of each individual output and a fully potted driver to protect from heat and vibration. Power factor <.93

### Environment

Suitable for dry and damp locations.  
Operating temp.: -40°C to +50°C  
-40°F to +122°F

## COMPANION PRODUCTS

Nova 2 Direct



Nova 2 Curve Direct



Nova 2 Direct/Indirect



## WARRANTY

5-year limited warranty. Complete warranty terms can be located at:

[http://www.starteklightingamerica.com/images/pdf/warranty/Nova\\_2\\_Warranty.pdf](http://www.starteklightingamerica.com/images/pdf/warranty/Nova_2_Warranty.pdf)

Note: Actual performance may differ as a result of installation environment and final application. All values are design or typical values, measured under laboratory conditions, at 25°C (77°F).