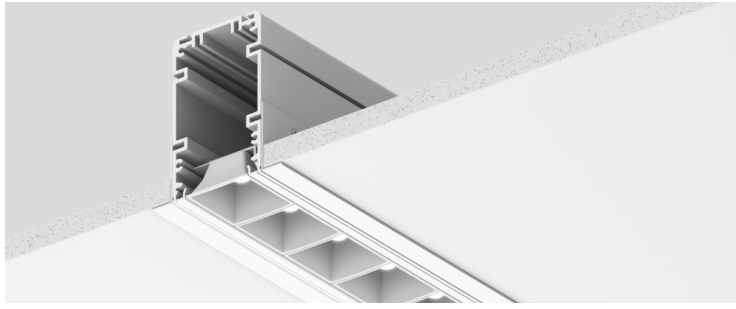
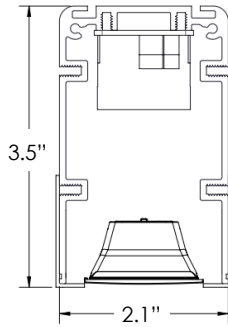


Recessed Sculptura

Type:	
Project:	
Rep:	
Order #:	



DIMENSIONS



FEATURES

- **Seamless glare eliminating shade**
- UGR < 19
- Standard 2', 4', 6' and 8' units or continuous rows
- Single piece aluminum extrusion housing
- Linear runs with proprietary joiner design
- Snap-in lens and reflector for easy installation
- Approved for dry and damp locations
- 0-10v dimming is standard
- Dim to 1% of output current is standard
- 90 CRI (R9 50min) available
- CA Title 24 / JA8 installation compatible



ORDERING LOGIC

RSCULPT	LENGTH	LUMENS PER FOOT	DISTRIBUTION	CCT	CRI
RSCULPT	XX=Run Length	350=350 LPF 500=500 LPF 750=750 LPF 1000=1000 LPF XXX=Custom LPF	B50=Black Reflector, 50° B80=Black Reflector, 80° W50=White Reflector, 50° W80=White Reflector, 80° S50=Silver Reflector, 50° S80=Silver Reflector, 80°	30K=3000K 35K=3500K 40K=4000K 50K=5000K TW=Tunable White ¹ (2700-6500K)	80=80 90=90 (R9 50min)
FINISH	MOUNTING	VOLTAGE	ELECTRICAL	OPTIONS	
STANDARD PW=Powder Coat White PB=Powder Coat Black	T-GRID TBX= 9/16" Grid 15/16" Grid 9/16" Grid (Tegular Tile) 15/16" Grid (Tegular Tile) 9/16" Screw Slotted T-Grid PT= Prelude T-Grid TBO= T-BAR Other (Specify Type of T-BAR)	U= 120-277 C= 347	1C=Single Circuit MC=Multiple Circuits (multiple switch legs across run length) EC=Emergency Circuit (separate power drops for EC fixtures) GTD=Generator Transfer Device	SPECIALTY DRIVERS (Standard driver is 0-10V, dim to 1% output current) DT1=eldoLED EcoDrive Dim to 1% (0-10V) DTZ=eldoLED SoloDrive Dim to 0.1% (0-10V) PSRD=Philips Sensor Ready (DALI) Driver LDE1=Lutron Hi-Lume EcoSystem LED driver w/ Soft-on, Fade-to-Black TW-A=Tunable White, 0-10v ² TW-EL=eldoLED DUALdrive Tunable White (DALI) ² PSQ02U=Lutron T-Series 1% 2-Channel Tunable White driver ²	
PREMIUM RALxxxx= Powder Coat RAL xxxx (Gloss Finish)				BATTERIES ("#" indicates quantity) #EMB6=6W EM Battery ³ #EMB10=10W EM Battery ³ #EMB15=15W EM Battery ³	
CUSTOM PO=Powder Other	DRYWALL WITH COSMETIC BEZEL DWCB(W)= Cosmetic Bezel White DWCB(B)= Cosmetic Bezel Black DRYWALL WITH SPACKLE FLANGE DWSF=Drywall w/ Spackle Flange				

EXAMPLE: RSCULPT-20-500-W50-35K-80-PW-TBX-U-1C-1EMB10

¹ Tunable White Driver must be specified in options
² 50 Watt Max. Dual driver required for higher fixture wattage
³ Emergency battery option not available with 2' fixtures

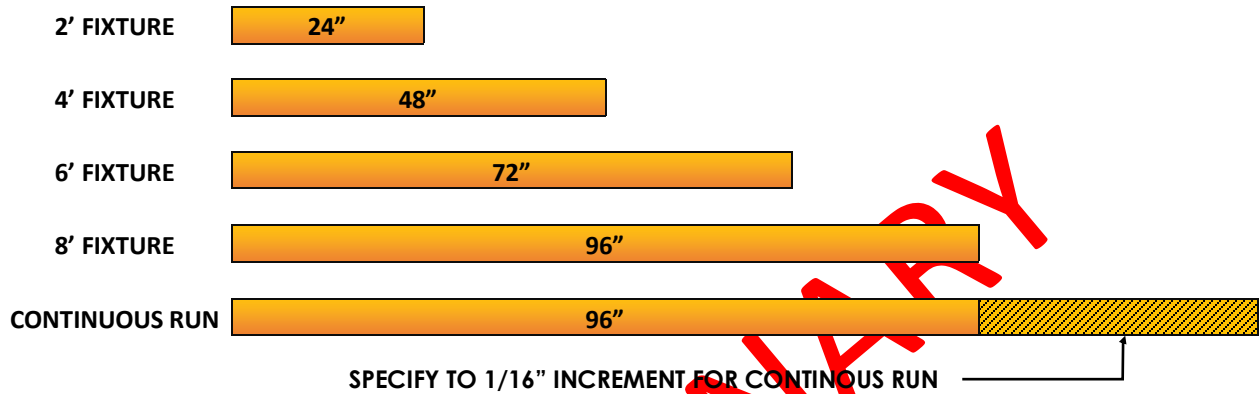
Type:	
Project:	
Rep:	
Order #:	

INDIVIDUAL AND CONTINUOUS FIXTURE CONFIGURATION—DWSF and DWCB

Individual & Continuous Run

Individual fixtures are available from 2' to 8'. The standard construction for run lengths is to build with as many 8' fixtures as possible and finish the run with a shorter length fixture if needed. If a different configuration is needed to meet an aesthetic requirement, please indicate this on your P.O. when placing your order.

Examples of the standard construction of DWSF & DWCB are as follows:

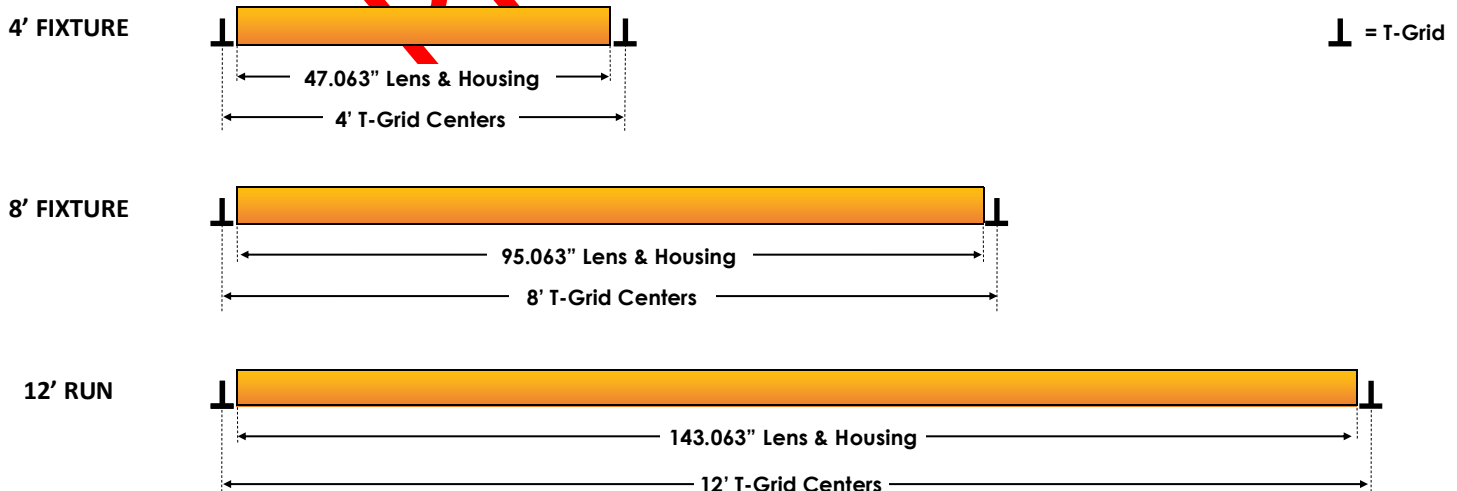


INDIVIDUAL AND CONTINUOUS FIXTURE CONFIGURATION—T-GRID

Individual & Continuous Run

The lengths of individual fixtures and run lengths specified in the ordering logic is the distance between the centers of the T-Grids (See Page 4). The actual length of the fixtures and the lens will be shorter from that specified length. In a run, the last fixture compensates for the T-Grid. If a different configuration is needed to meet an aesthetic requirement, please indicate this on your P.O. when placing your order.

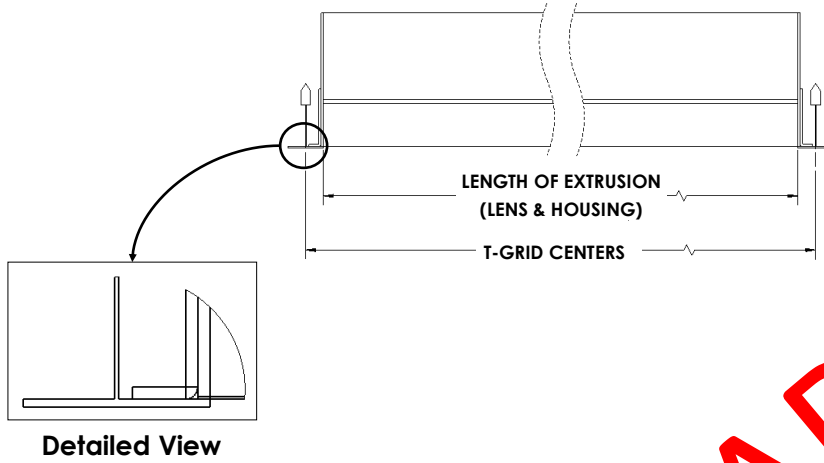
Examples of the standard construction of T-Grid configurations are as follows:



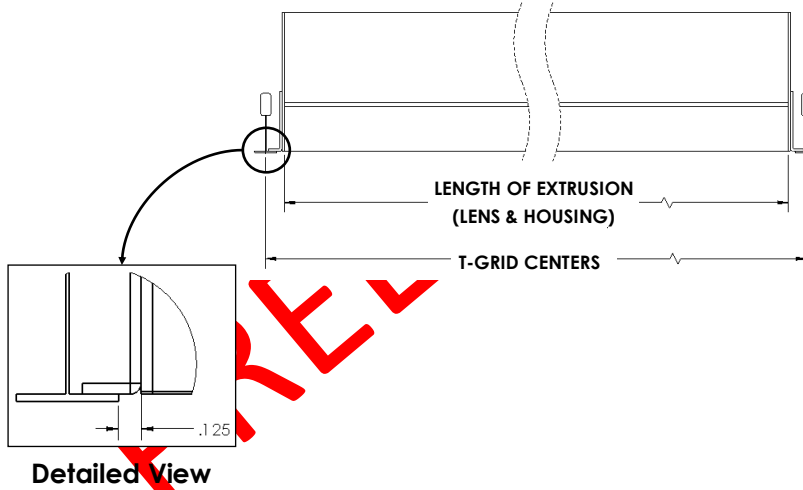
Type:	
Project:	
Rep:	
Order #:	

T-GRID LENGTHS

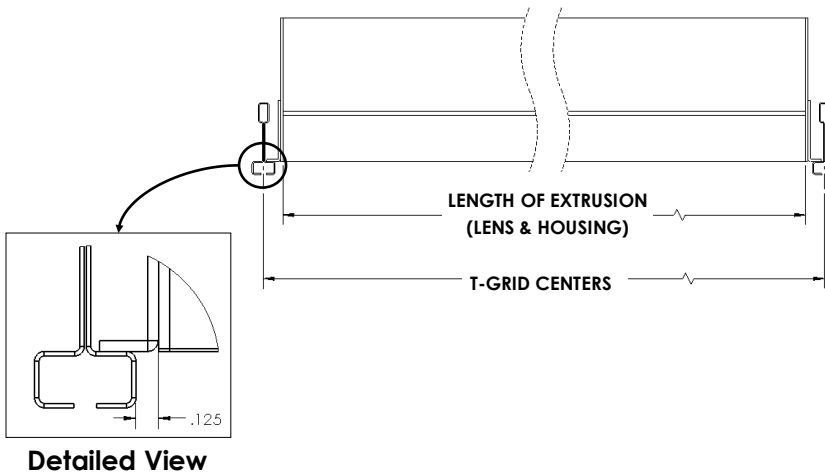
15/16" T-BAR



9/16" T-BAR



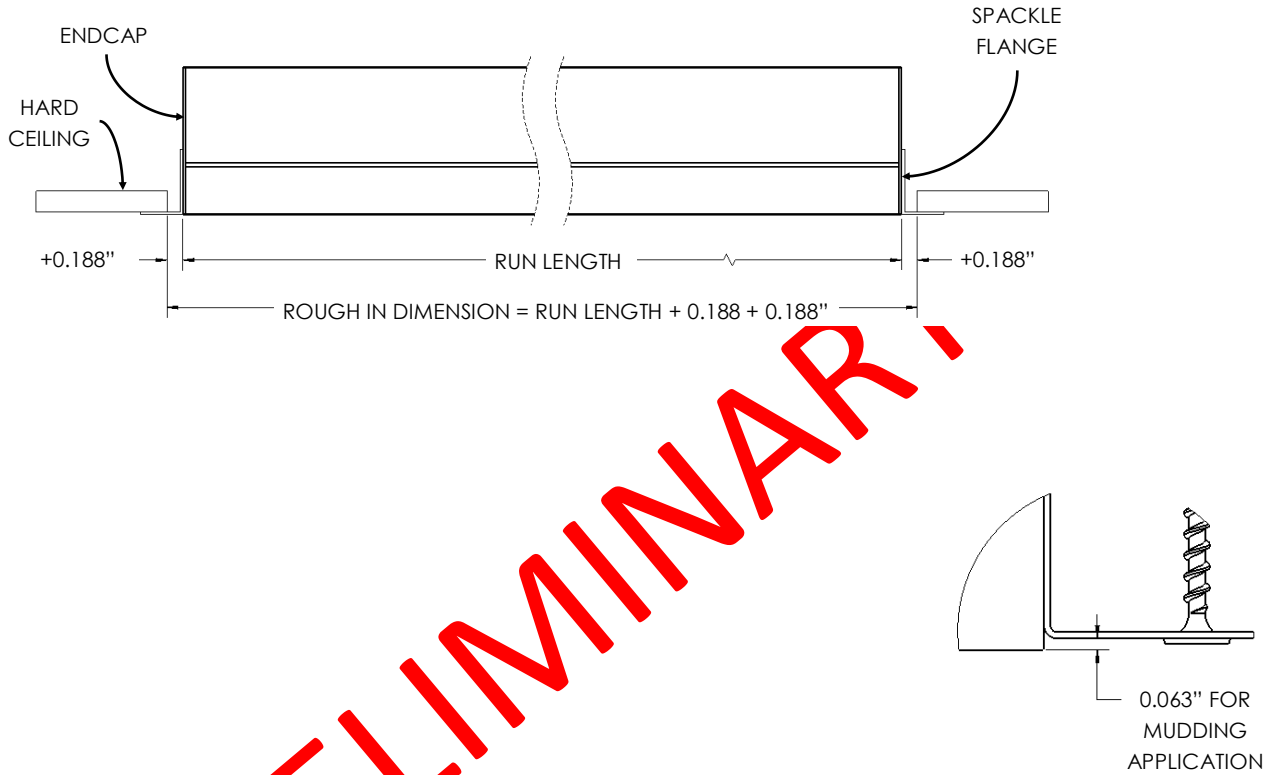
9/16" SCREW SLOT



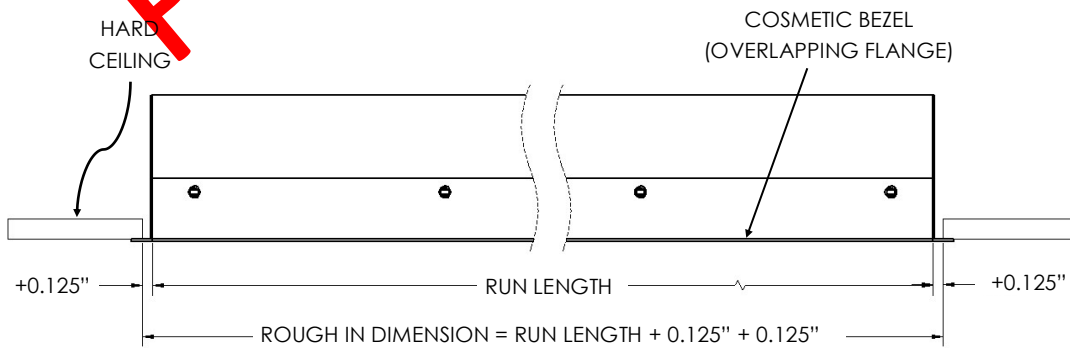
Type:	
Project:	
Rep:	
Order #:	

HARD CEILING LENGTH DETAILS—DWSF AND DWCB

DWSF: (SPACKLE FLANGE)



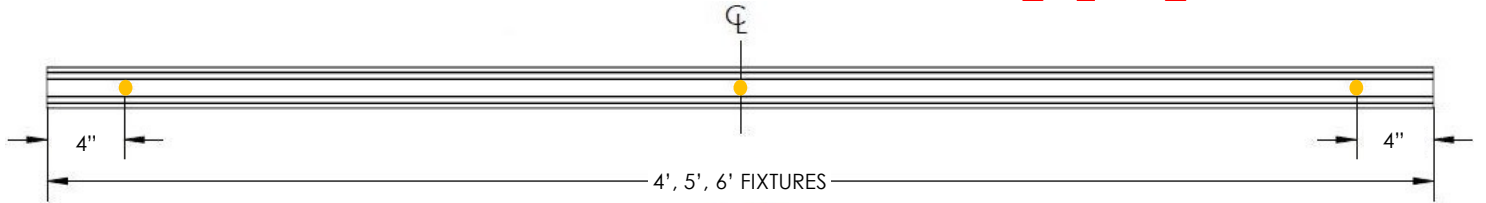
DWCB: COSMETIC BEZEL (OVERLAPPING FLANGE)



Type:	
Project:	
Rep:	
Order #:	

MOUNTING LOCATIONS: DWSF & DWCB

Mounting locations (●) vary due to length. Views below show top of fixtures and their hole location. For hard ceilings, we offer two types of options. A threaded rod mount, or a screw mount. Please see below of mounting locations as these vary based on length of the fixture.



PHOTO

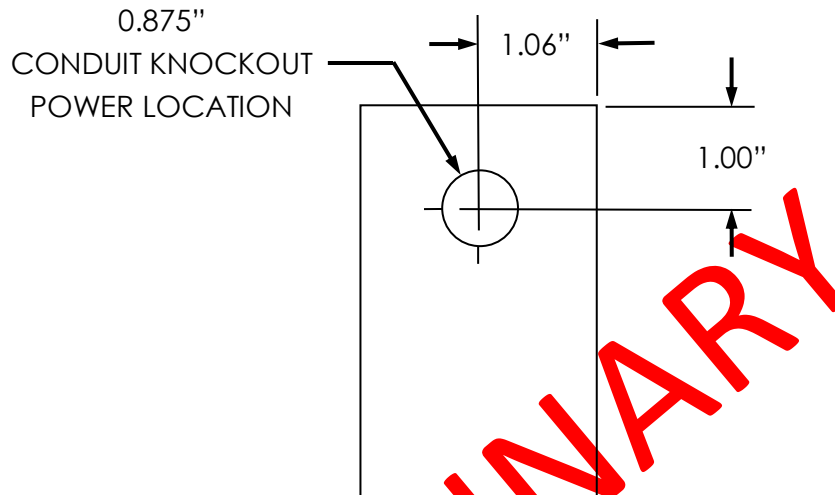
NOTE: Hole size at mounting locations is $\varnothing.266"$.

Type:	
Project:	
Rep:	
Order #:	

POWER LOCATION & WIRING DIAGRAMS

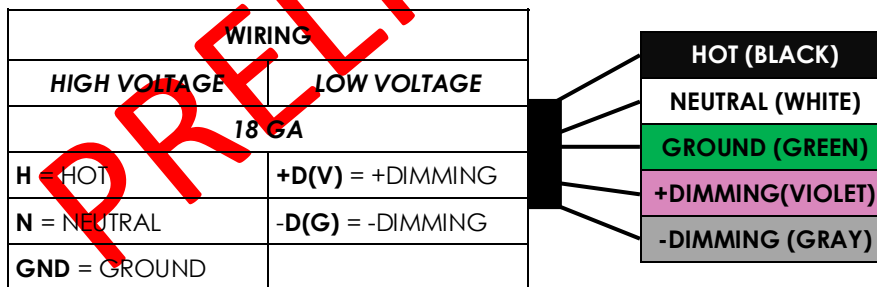
POWER LOCATION

The standard power location is out the end cap on the starter fixture. If a different configuration is needed to meet an aesthetic or placement requirement, please consult the factory.

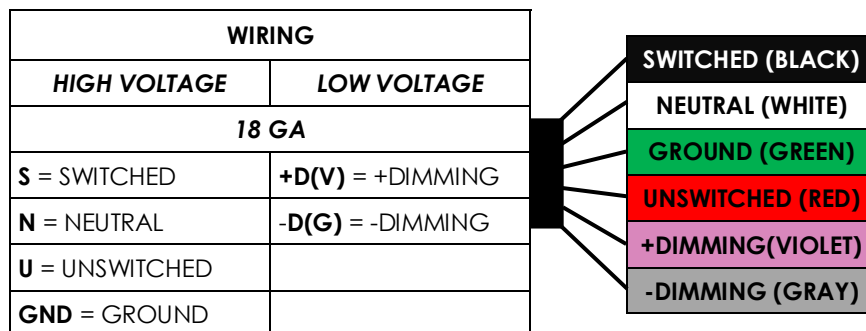


WIRING DIAGRAMS

Wiring configurations are dependent on the options chosen. Below are a few examples of our standard wiring that is used to power the fixture.



This wiring diagram is showing a standard set of wires for a basic fixture.



This wiring diagram is showing a set of wires for a fixture with an emergency battery.

Type:	
Project:	
Rep:	
Order #:	

SPECIFICATIONS

Housing

Nominal 2.0" x 3.5" x .075 thick housing of continuous extruded 6063 T5 aluminum.

Luminaire Length

2', 4', 6' or 8' lengths are available for a single stand-alone section. Using internal joiners, sections can be joined to form longer rows.

Battery

Philips Bodine lithium ion battery providing up to 780lm (6W) or up to 1300lm(10W) for 90 minutes. UL924 listed. Class 2 compliant. Meets Title 20 CEC (California Energy Commission) efficiency standards.

Source

Four standard lumen packages are available in four color temperature options (3000K, 3500K, 4000K and 5000K) — all within 2.5 MacAdam ellipses.

Certification

Intertek cETLus Listed. RoHS (Restriction of Hazardous Substances) and Buy American Act compliant.

Environment

Suitable for dry and damp locations.
Operating temp.: -40°C to +45°C

Dimming Driver

Universal Lighting Technologies (ULT) Everline series of LED drivers allows tunable output currents to achieve infinite configurations of output. UL Class 2 recognized. 0-10v interface can be wired as Class 1 or Class 2 circuit. Included 2.5Kw ring and wave overcurrent protection, isolation of each individual output and a fully potted driver to protect from heat and vibration. Power factor <.93

Packaging

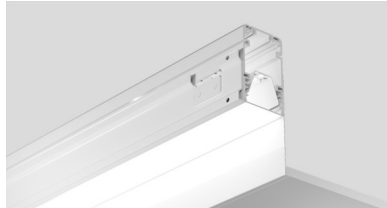
Sustainably manufactured outside cardboard box and biodegradable, protective poly-foam luminaire inserts.

COMPANION PRODUCTS

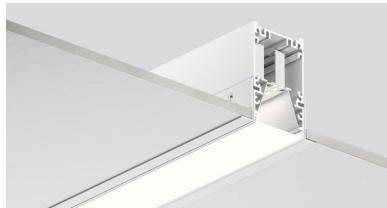
Sculptura Direct



Perimeter Slim Beam



Recessed Slim Beam



WARRANTY

5-year limited warranty. Complete warranty terms can be located at:

http://www.starteklightingamerica.com/images/pdf/warranty/Beam_Series_Warranty.pdf

Note: Actual performance may differ as a result of installation environment and final application. All values are design or typical values, measured under laboratory conditions, at 25°C (77°F) .