

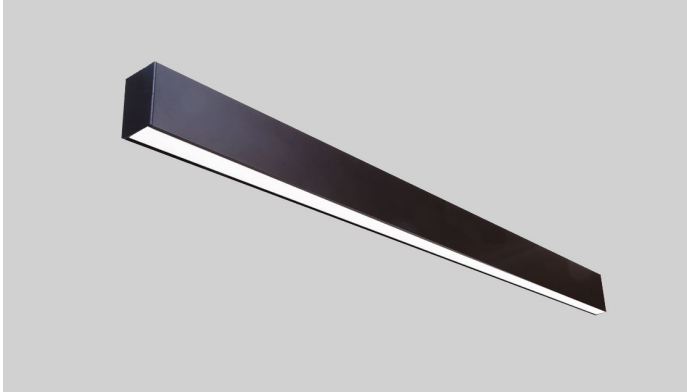
INSTALLATION INSTRUCTIONS

STARTEK

LIGHTING AMERICA

BEAM/SLIM SURFACE MOUNT
MODELS # BEAMD/SLIMD

(IMAGES SHOWN ARE OF SLIMD)



WARNING

- ★ THIS PRODUCT MUST BE INSTALLED IN ACCORDANCE WITH THE APPLICABLE INSTALLATION CODE BY A PERSON FAMILIAR WITH THE CONSTRUCTION AND OPERATION OF THE PRODUCT AND THE HAZARDS INVOLVED.**
CE PRODUIT DOIT ETRE INSTALLE SELON LE CODE D'INSTALLATION PERTINENT, PAR UNE PERSONNE QUI CONNAIT BIEN LE PRODUIT ET SON FONCTIONNEMENT AINSI QUE LES RISQUES INHERENTS.
- ★ DISCONNECT POWER PRIOR TO ANY INSTALLATION.**
DEBRANCHEZ LE COURANT AVANT TOUTE INSTALLATION.
- ★ CAP ALL WIRING CONNECTIONS WITH UL APPROVED WIRE CONNECTORS.**
COUVRIR TOUTES LES CABLES AVE DES CONNECTIONS APPROUVEES (UL).
- ★ VERIFY SUPPLY VOLTAGE MEETS LUMINAIRE LABEL SPECIFICATIONS.**
VERIFIEZ QUE LA TENSION SOIT COMPATIBLE AVEC LES CARACTERISTIQUES DU LUMINAIRE MARQUE SUR LETIQUETTE.
- ★ ALLOW FIXTURE TO COOL BEFORE TOUCHING HEATSINK OR LIGHT SOURCE.**
LAISSEZ LE PROJECTEUR REFOIDIR AVANT DE TOUCHER LE RADIATEUR OU LA SOURCE DE LUMIERE.
- ★ DO NOT ATTEMPT TO OPEN OR MAKE REPAIRS INSIDE LUMINAIRE.**
NE PAS TENTER DOUVRIRE OU DE FAIRE DES REPARATINS A L'INTERIEUR DU LUMINAIRE.
- ★ AVOID DIRECT VIEWING OF LIGHT SOURCE.**
EVITEZ DE REGARDER DIRECTMENT LA SOURCE LUMINEUSE.
- ★ THIS PRODUCT MUST BE INSTALLED BY A QUALIFIED ELECTRICIAN.**
CE PRODUIT DOIT ETRE INSTALLE PAR UN ELECTRICIEN QUALIFIE.
- ★ SUITABLE FOR UNDER-CABINET MOUNT.**
ADAPTE POUR SOUS-CABINET MOUNT.
- ★ SUITABLE FOR DAMP LOCATION.**
ADAPTE POUR DES ENDROITS HUMIDES.
- ★ MIN 105° C SUPPLY CONDUCTORS.**
MIN 105° C ALIMENTATION CONDUCTEURS.
- ★ SUITABLE FOR CONTINUOUS ROW MOUNTING.**
ADAPTE POUR CONTINU ROW MONTAGE.

11/15/2022 - PAGE 1

INSTALLATION INSTRUCTIONS

General Safety Information ★

- DO NOT INSTALL DAMAGED PRODUCT!
- To reduce risk of death, personal injury or property damage from fire, electric shock, falling parts, cuts/abrasions, and other hazards read all warnings and instructions included with and on the fixture box and all fixture labels
- Before installing, servicing, or performing routine maintenance upon the equipment, follow these general precautions
- Commercial installation, service and maintenance of luminaires should be performed by a qualified licensed electricians
- This fixture is intended to be connected to a properly installed and grounded UL listed junction box

Warning ★

RISK OF ELECTRICAL SHOCK

- Turn off electrical power at fuse of circuit breaker box before wiring fixture to the power supply.
- Turn off power when performing any maintenance.
- Verify that supply voltage is correct by comparing it with the luminaire label information.
- Make all electrical and grounded connections in accordance with the national electrical Code and any applicable local code requirements.
- All wiring connections should be capped with UL approved wire connectors

INSTALLATION INSTRUCTIONS

Provided Parts List

The components have been packed to avoid damage during transit. Inspect the components to confirm there is no physical damage. Do not install damaged components. The carton contains the following:

- ★ Surface MT (SLIMD) fixture
- ★ Lensing (shipped separate from fixtures for continuous row installations)
- ★ Installation Manual

Mounting

Inspect mounting location for damage. Make sure the structure can support the weight of the fixture. Follow all UL, NEC and minimum load rating guidelines when selecting and installing mounting hardware for the fixture.

- ★ Fixture Weights:
Surface MT - 4' (10lbs. max) / 8' (20lbs. max)

ROW CONFIGURATIONS

The standard construction of run lengths is to build with as many 8' sections as possible and finish the run with a shorter length fixture if necessary. If a different configuration is needed to meet an aesthetic requirement, please indicate this when placing your order.

Examples of the standard construction of runs over 8' are as follows:

10' RUN	8	2		
16' RUN	8	8		
20' RUN	8	8	4	
22' RUN	8	8	6	
28' RUN	8	8	8	4

(Mounting accessories shown in contrasting color to provide detail. Fixtures are shipped with matching mounting accessories, unless specified otherwise.)

INSTALLATION INSTRUCTIONS



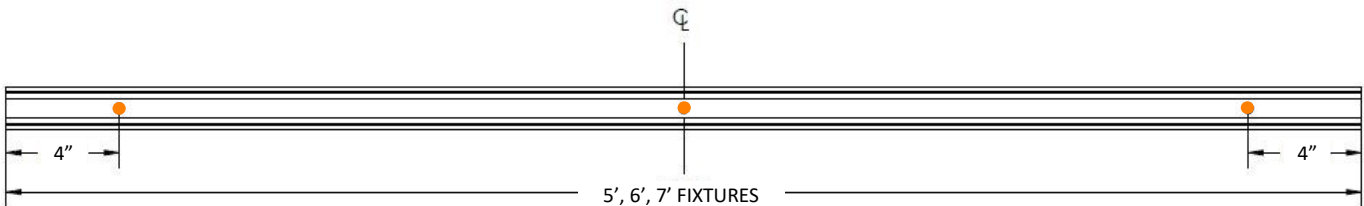
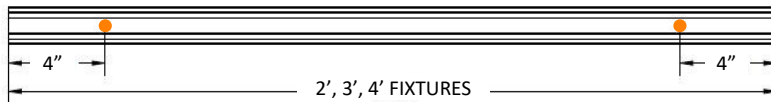
LIGHTING AMERICA

BEAM/SLIM SURFACE MOUNT
MODELS # BEAMD/SLIMD

MOUNTING LOCATIONS

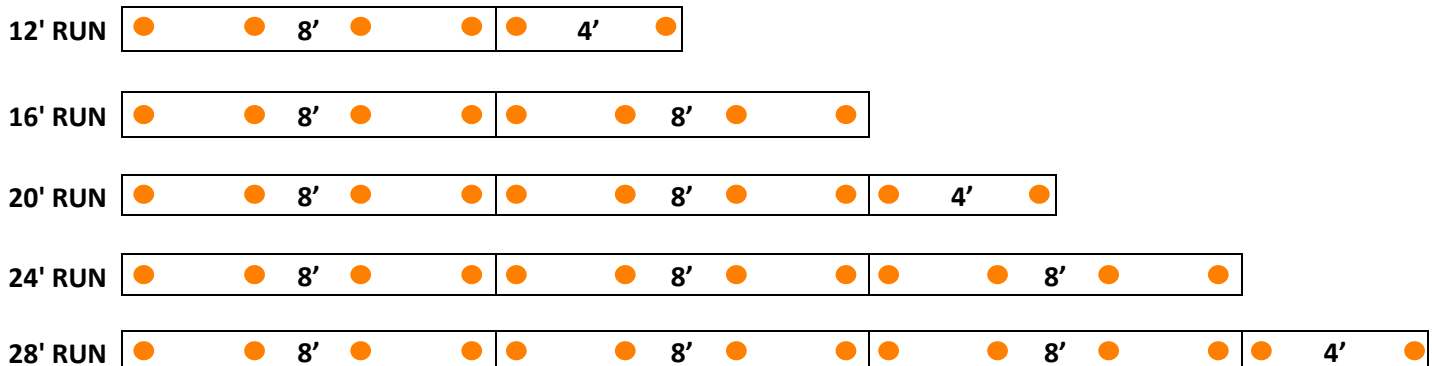
Mounting locations (●) will vary dependent on fixture length. See below for individual fixtures and runs. Views show top of fixtures.

Individual Fixtures



NOTE:
Hole size at all mounting locations is $\varnothing.266"$.

Runs



(Mounting accessories shown in contrasting color to provide detail. Fixtures are shipped with matching mounting accessories, unless specified otherwise.)

INSTALLATION INSTRUCTIONS

Surface Mount (Individual Fixture Installation)

1. Turn off electrical power at fuse or circuit breaker box before wiring fixture to the power supply.
2. Pop out lens, remove from fixture housing (figure 1).
3. Insert flat head screw driver into reflector slot (figure 2) & carefully pull down to remove reflector (figure 3)



FIGURE 1

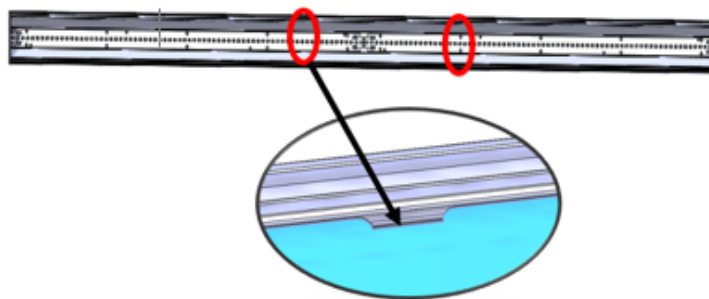


FIGURE 2

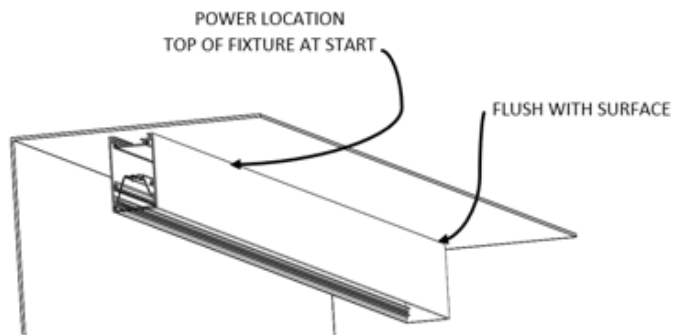
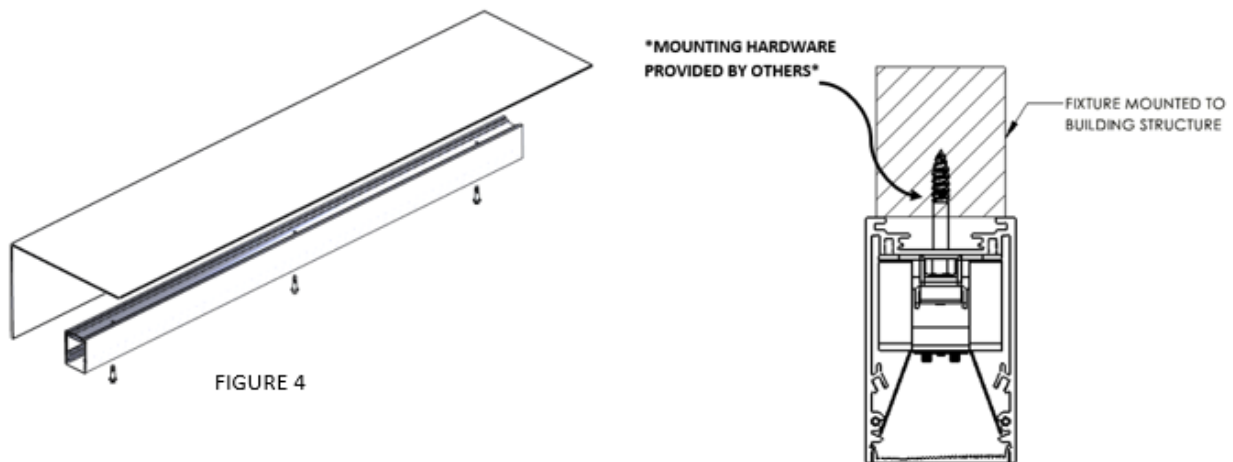


FIGURE 3

INSTALLATION INSTRUCTIONS

Surface Mount (Individual Fixture Installation cont.)

3. Ensure surface can support weight of fixture & mount to ceiling using appropriate hardware (figure 4)
Note: Use anchors for plaster or drywall.
4. Place reflector, and lens back into fixture.



INSTALLATION INSTRUCTIONS

SURFACE MT. (Continuous Row Installation)

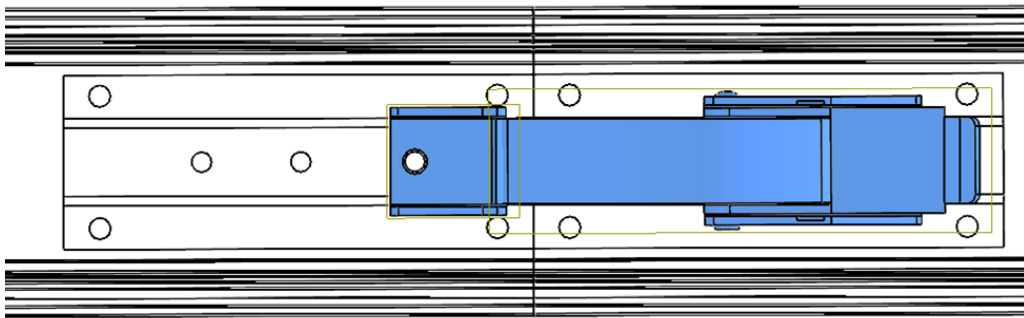
1. Power must be turned off prior to disconnecting or reconnecting the fixture
2. Identify different fixture types for each row

Starter Fixture: Stripped wires/cord on one side, male connector on the other side has 2 mounts

Middle Fixture: Female connector on one side, male connector on the other side

End Fixture: Female connector on one side, closed end cap on the other side

3. Attach starter fixture to structure. Connect starter fixture wiring to mains. Use only UL listed wiring devices. Purple and gray leads are used for 0-10 dimming only. Cap wires if not used (see below). The wiring inside the fixtures is rated 14AWG. Line side wiring connected by the installer must be rated for the load per (NEC) National electric code and/or local electric code. *
4. Support middle Fixture or end fixture depending on row length
5. Attach middle fixture or end fixture by aligning the dowel pins, once aligned compress the two fixtures together. Use the latch to safely secure the fixtures together.



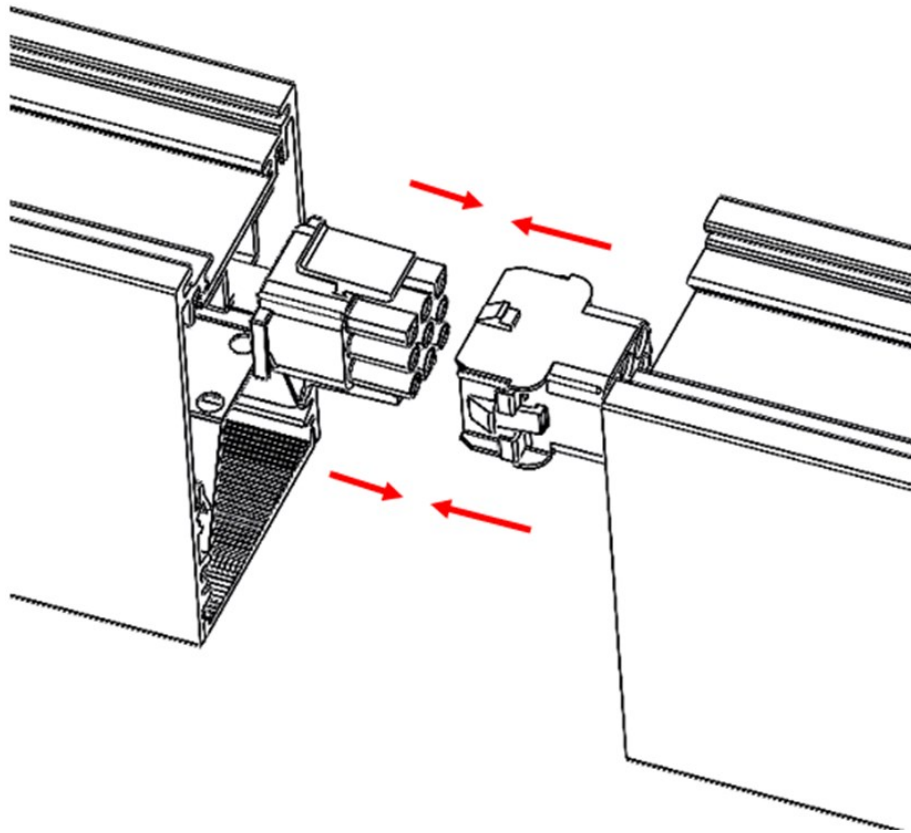
Important:

During installation if the need arises to remove a linking fixture from the length of fixtures, use a screw driver to release the latch.

INSTALLATION INSTRUCTIONS

SURFACE MT. (Continuous Row Installation cont.)

6. Connect wiring harness of fixture 1 to harness of fixture 2 and tuck harness into fixture.



7. Repeat steps 3 through 6 for additional fixtures.
8. Hold lens up to fixture, mark for best fit, and cut in field. Snap in Lens
9. Restore power and verify operation.

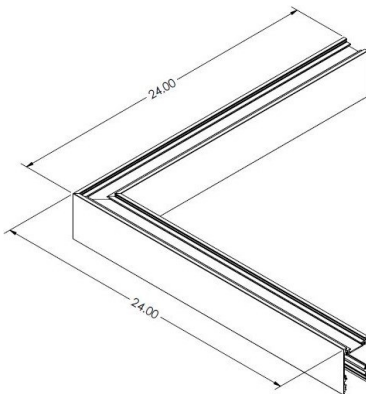
INSTALLATION INSTRUCTIONS



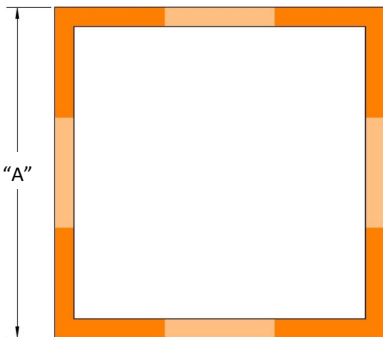
LIGHTING AMERICA

BEAM/SLIM SURFACE MOUNT
MODELS # BEAMD/SLIMD

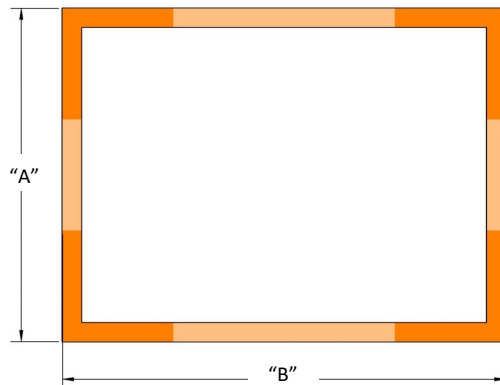
SURFACE MT. (Joint Shape Configuration Installation)



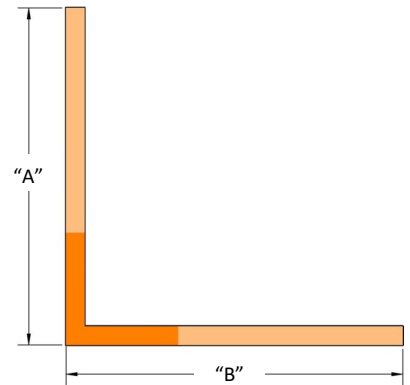
_SQ
Square
Supply "A" dimension



_x_RECT
Rectangle
Supply AxB dimensions

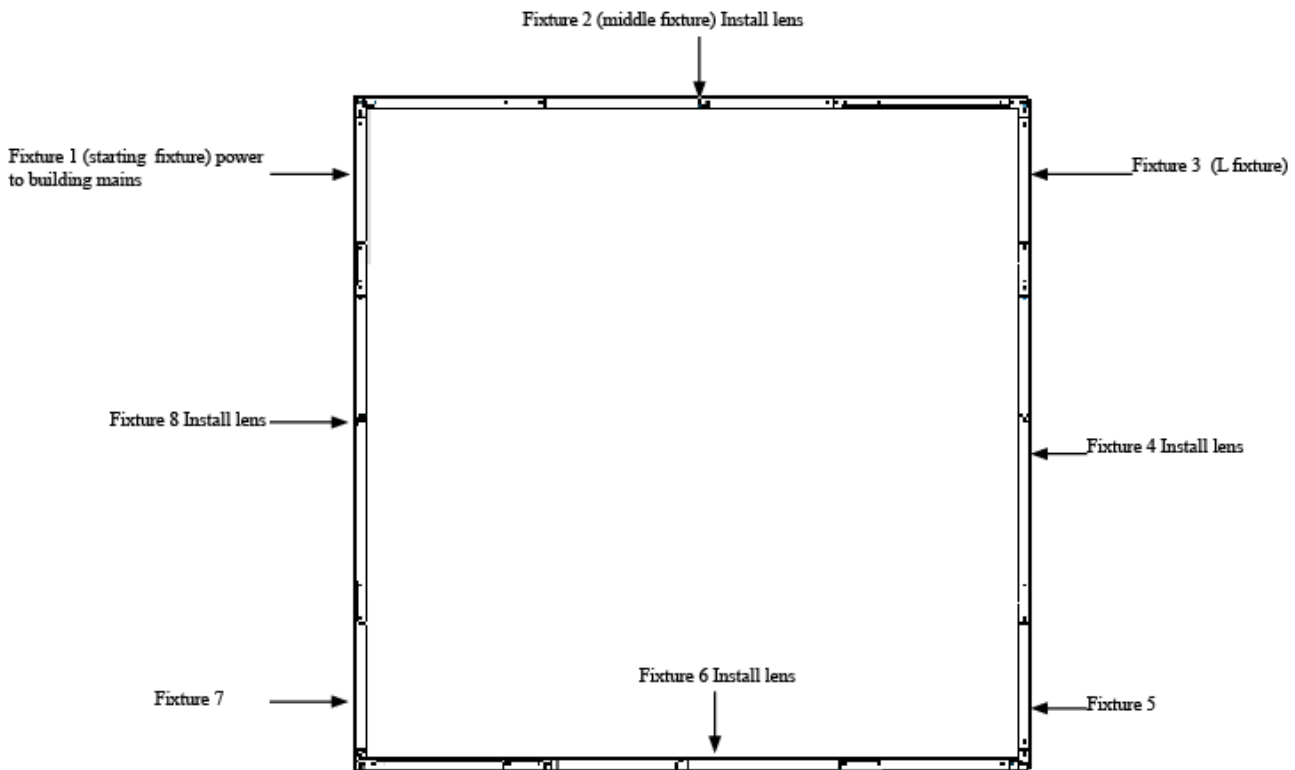


_x_L
L-Shape
Supply AxB dimensions



INSTALLATION INSTRUCTIONS

SURFACE MT. (Joint Shape Configuration Installation)



Step 1. Hang fixture 1

Step 2. Hang fixture 2. Connect fixtures 1&2. Snap in lens

Step 3. Hang fixture 3. Slide in lens to cap off that section and connect fixtures 3&2

Step 4. Hang fixture 4. Connect fixtures 4&3. Snap in lens

Step 5. Hang fixture 5. Slide in lens to cap off that section and connect fixtures 5&4

Step 6. Hang fixture 6. Connect fixtures 6&5. Snap in lens

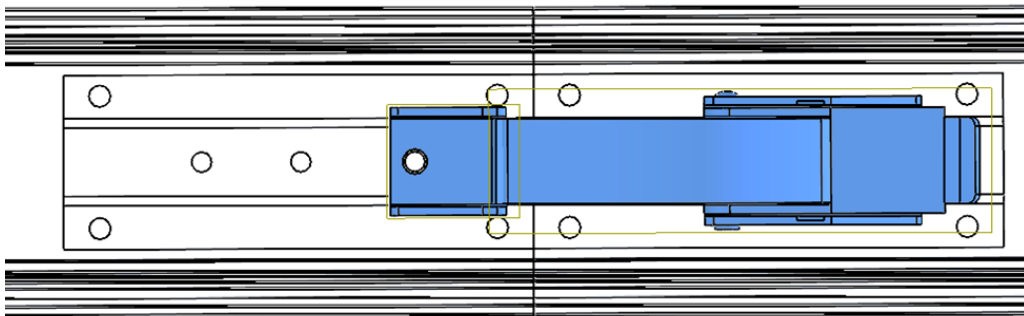
Step 7. Hang fixture 7. Slide in lens to cap off that section and connect fixtures 7&6

Step 8. Hang fixture 8. Connect fixtures 8,7 snap in lens and connect fixtures 8&1

INSTALLATION INSTRUCTIONS

SURFACE MT. (Joint Shape Configuration Installation cont.)

1. Power must be turned off prior to disconnecting or reconnecting the fixture
2. Identify different fixture types for each row
Starter Fixture: Stripped wires/cord on one side, male connector on the other side has 2 mounts
Middle Fixture: Female connector on one side, male connector on the other side
End Fixture: Female connector on one side, closed end cap on the other side
3. Attach starter fixture to structure. Connect starter fixture wiring to mains. Use only UL listed wiring devices. Purple and gray leads are used for 0-10 dimming only. Cap wires if not used (see below). The wiring inside the fixtures is rated 14AWG. Line side wiring connected by the installer must be rated for the load per (NEC) National electric code and/or local electric code. *
4. Support middle Fixture or end fixture depending on row length
5. Attach middle fixture or end fixture by aligning the dowel pins, once aligned compress the two fixtures together. Use the latch to safely secure the fixtures together.



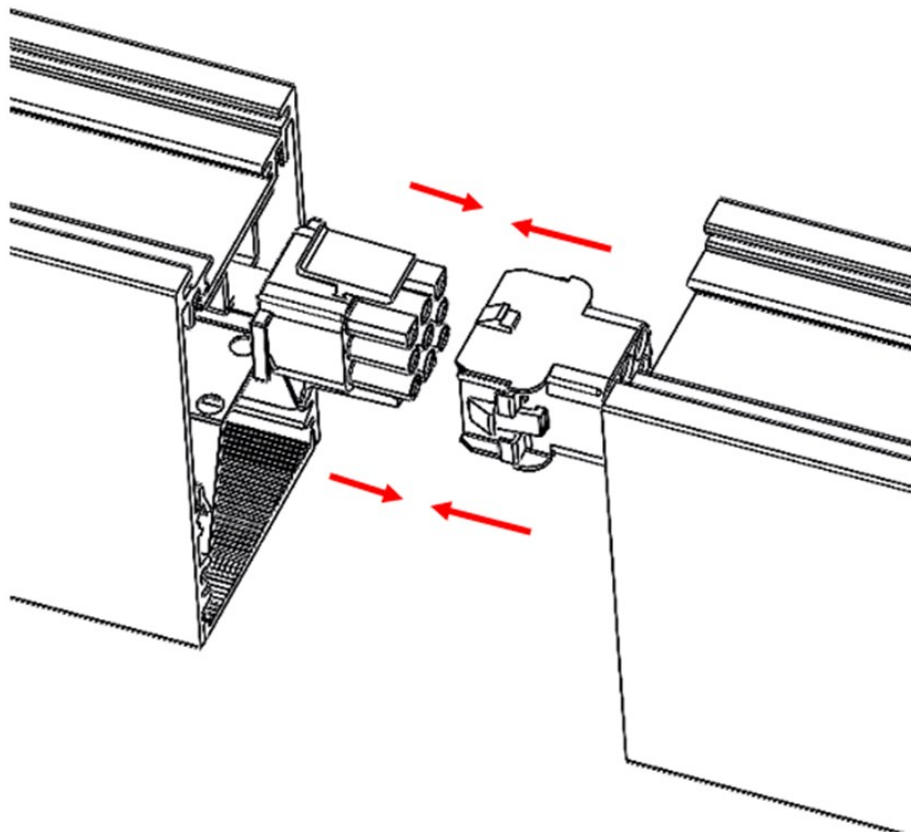
Important:

During installation if the need arises to remove a linking fixture from the length of fixtures, use a screw driver to release the latch.

INSTALLATION INSTRUCTIONS

SURFACE MT. (Joint Shape Configuration Installation cont.)

6. Connect wiring harness of fixture 1 to harness of fixture 2 Tuck harness into fixture.



7. Repeat steps 3 through 6 for additional fixtures.
8. Hold lens up to fixture, mark for best fit, and cut in field. Snap in Lens
9. Restore power and verify operation.