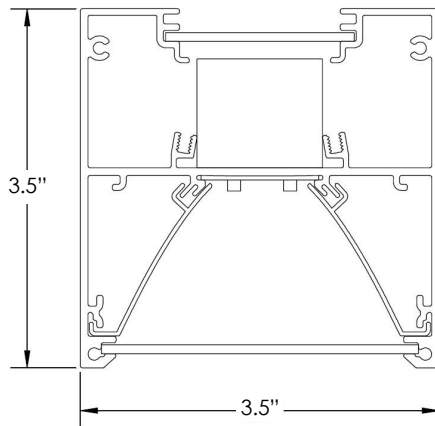


Type:	
Project:	
REP/Agent:	
Order #:	



### 5 DAY TURNAROUND

#### DIMENSIONS



#### FEATURES

- Shipment up to 500' in 5 working days
- Continuous lensing standard– runs up to 200'
- Extruded aluminum single piece housing
- Individual or continuous rows consisting of 2', 4', 6' and 8' fixtures
- Linear runs with proprietary joiner design
- Light levels can be set at the factory
- Efficacy up to 135 lm/W
- Soft diffuse direct lighting
- Textured powder coat finishes available in white and black
- Approved for dry and damp locations
- 0-10v dimming is standard



#### LUMEN PACKAGES

Based on 3500K CCT. Other CCT available.

MODEL	LUMENS	INPUT WATTS	Lm/W
WS-BEAMD-4-750-WD-35K-80	3,000	24	125
WS-BEAMD-8-750-WD-35K-80	6,000	45	133

#### ORDERING LOGIC

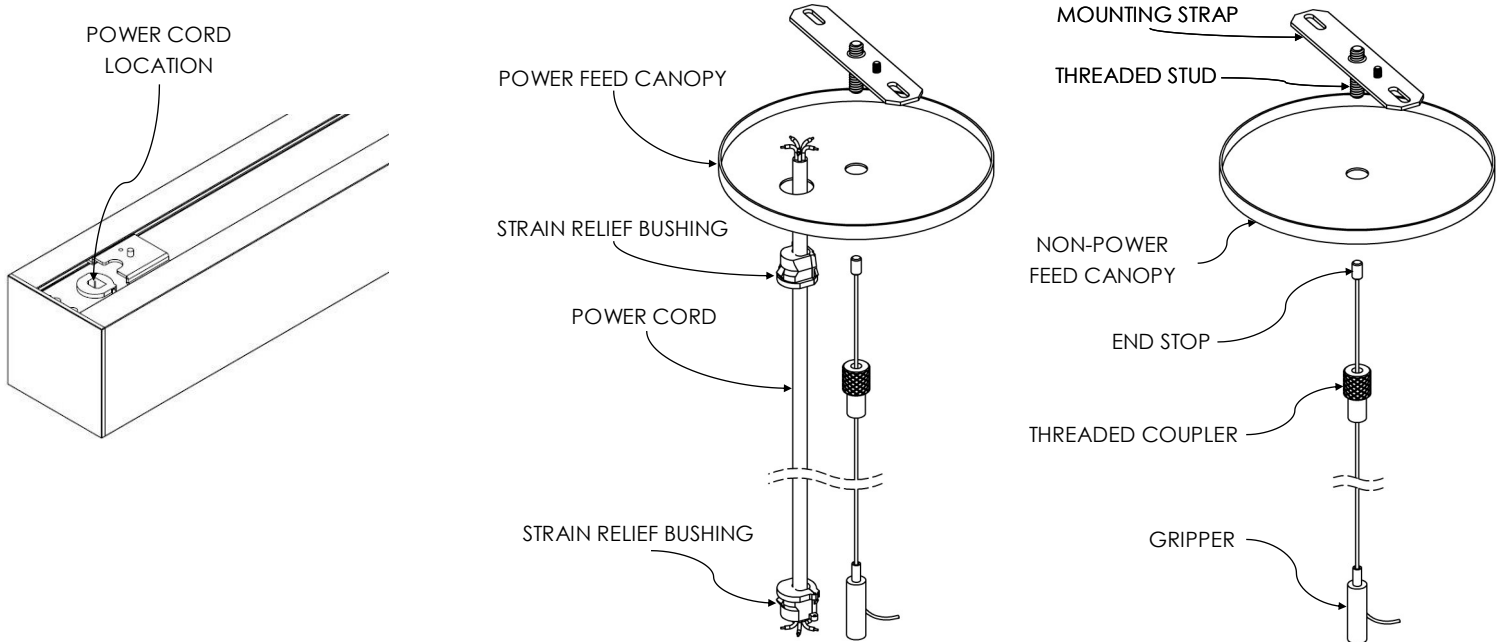
WS-BEAMD	-	-	-	-	-	-				
SERIES	-	LENGTH	-	LUMENS PER FOOT	-	DISTRIBUTION	-	CCT	-	
WS-BEAMD	-	xx=Run Length	-	350=350 LPF 500=500 LPF 750=750 LPF 1000=1000 LPF XXX=Custom LPF	-	SD=SatinIce Diffuse WD=Wide Diffuse	-	30K=3000K 35K=3500K 40K=4000K	-	
CRI	-	FINISH	-	MOUNTING	-	VOLTAGE	-	ELECTRICAL	-	OPTIONS
80=80	-	STANDARD PW=Powder Coat White PB=Powder Coat Black	-	CABLES WITH CANOPY KITS ACW05=White Cord 5' ACW10=White Cord 10' ACB05=Black Cord 5' ACB10=Black Cord 10' CABLES WITH LOOPS ALW10=White Cord 10' ALB10=Black Cord 10'	-	U= 120-277	-	1C=Single Circuit	-	BATTERIES #EMB6=6W EM BATTERY (# indicates quantity) #EMB10=10W EM BATTERY (# indicates quantity) <i>Only available on individual units for 5 Day turnaround.</i>

EXAMPLE: WS-BEAMD-40-625-WD-35K-80-PW-ACW10-U-1C

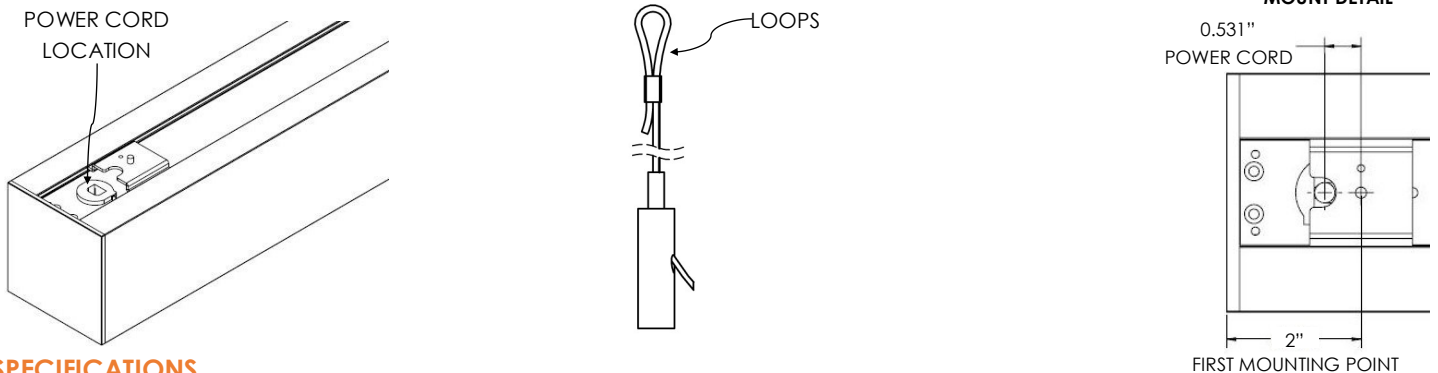
Type:	
Project:	
REP/Agent:	
Order #:	

## MOUNTING OPTIONS

### ACxxx (Aircraft Cable with Canopy) - Drywall, Solid, Tile (On-Grid), Tile (Off-Grid)



### ALxxx (Aircraft Cable with Loops)



## SPECIFICATIONS

### Housing

Nominal 3.5" x 3.5" x .075" thick housing of continuous extruded 6063 T5 aluminum.

### Color

Colors for the housing are available in a powder coated white and black.

### Luminaire Length

2', 4', 6' & 8' lengths are available for a single stand-alone section. Using internal joiners, these sections can be joined to form longer runs.

### End Caps

Injection molded flat end caps are mechanically attached with no exposed fasteners to enhance architectural aesthetic and prevent light leak.

### Source

Lumen packages are available in three color temperature options (3000K, 3500K and 4000K) - all within 3 MacAdam ellipses.

### Certification

Intertek cETLus Listed. RoHS (Restriction of Hazardous Substances) and Buy American Act compliant.

### Lensing

0.080" thick impact resistant acrylic lensing.

### Packaging

Sustainably manufactured outside cardboard box and biodegradable, protective poly-foam luminaire inserts.

### Environment

Suitable for dry and damp locations.  
Operating temp.: -40°C to +50°C  
-40°F to +122°F

### Dimming Driver (Integral Driver)

Universal Lighting Technologies (ULT) Everline series of LED drivers allows tunable output currents to achieve infinite configurations of output. UL Class 2 recognized. 0-10v interface can be wired as Class 1 or Class 2 circuit. Included 2.5Kw ring and wave overcurrent protection, isolation of each individual output and a fully potted driver to protect from heat and vibration. Power factor <.93

### Warranty

[http://www.starteklightingamerica.com/images/pdf/warranty/Beam\\_Series\\_Warranty.pdf](http://www.starteklightingamerica.com/images/pdf/warranty/Beam_Series_Warranty.pdf)