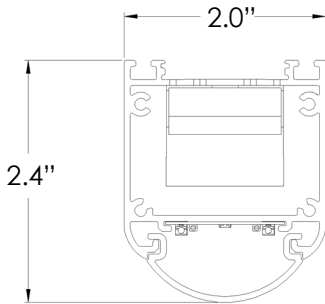


Type:	
Project:	
REP/Agent:	
Order #:	



## DIMENSIONS



## FEATURES

- Extruded aluminum single piece housing
- 4' and 8' individual units, or continuous rows
- Linear runs available up to 100' (High Output) with proprietary lens joiner for seamless optics
- Straight runs with proprietary joiner design
- Three standard lumen packages available
- Efficacy up to 145 lm/W
- Soft diffuse direct lighting
- Powder coat finishes available in white, black and silver
- Custom colors available upon request
- Approved for dry and damp locations
- 0-10v dimming is standard
- Dim to 1% of output current is standard
- 90 CRI (R9 50min) available
- CA Title 24 / JA8 installation compatible



## ORDERING LOGIC

NOV2D	-	-	-	SD	-	-	-			
SERIES	-	LENGTH	-	OUTPUT	-	DISTRIBUTION	-	CCT	-	CRI
NOV2D	-	xx=Run Length Sxx=Symmetric Run Length	-	L=Low S=Standard H=High XXX=Custom LPF	-	SD=SatinIce Diffuse	-	30K=3000K 35K=3500K 40K=4000K 50K=5000K TW=Tunable White <sup>1</sup> (2700-6500K)	-	80=80 90=90 (R9 50 min)
FINISH	-	MOUNTING	-	VOLTAGE	-	ELECTRICAL	-	OPTIONS		
<b>STANDARD</b> PW=Powder Coat White PB=Powder Coat Black PS=Powder Coat Silver	-	<b>CABLES WITH CANOPY KITS</b> ACW05=White Cord 5' ACW10=White Cord 10' ACB05=Black Cord 5' ACB10=Black Cord 10'	-	U= 120-277 C= 347	-	1C=Single Circuit MC=Multiple Circuits (multiple switch legs across run length) EC=Emergency Circuit (separate power drops for EC fixtures)	-	<b>SPECIALTY DRIVERS (Standard driver is 0-10V, dim to 1% output current)</b> DT1=eldoLED EcoDrive Dim to 1% (0-10V) DTZ=eldoLED SoloDrive Dim to 0.1% (0-10V) PSRD=Philips Sensor Ready (DALI) Driver LDE1=Lutron Hi-Lume EcoSystem LED driver with Soft-on, Fade-to-Black TW-A=Tunable White, 0-10v <sup>2</sup> TW-EL=eldoLED DUALdrive Tunable White (DALI) <sup>2</sup> PSQ02U=Lutron T-Series 1% 2-Channel Tunable White driver <sup>2</sup>		
<b>PREMIUM</b> RALxxxx= Powder Coat RAL xxxx (Gloss Finish)	-	<b>CABLES WITH LOOPS</b> ALW10=White Cord 10' ALB10=Black Cord 10'	-		-		-	<b>BATTERIES</b> #EMB6=6W EM Battery (# indicates quantity) #EMB10=10W EM Battery (# indicates quantity)		
<b>CUSTOM</b> PO=Powder Other	-	<b>SURFACE MOUNTS</b> SM(T)= Cord Top Exit, 10' SM(E)= Cord End Exit, 10'	-		-		-	<b>SENSORS</b> DMxx%=Daylight/Motion Sensor (xx%= % Min. Dimming) VDO=Lutron Vive Integral fixture control (RF w/ daylight and occupancy) AWN-R-W= Lutron Athena Wireless Node (RF only) <sup>3</sup> - White Finish AWN-R-B= Lutron Athena Wireless Node (RF only) <sup>3</sup> - Black Finish		
	-	<b>OTHER</b> RM= Rotational Mount TM= T-Grid Mount BX4= Box Mount 4" Square	-		-		-			

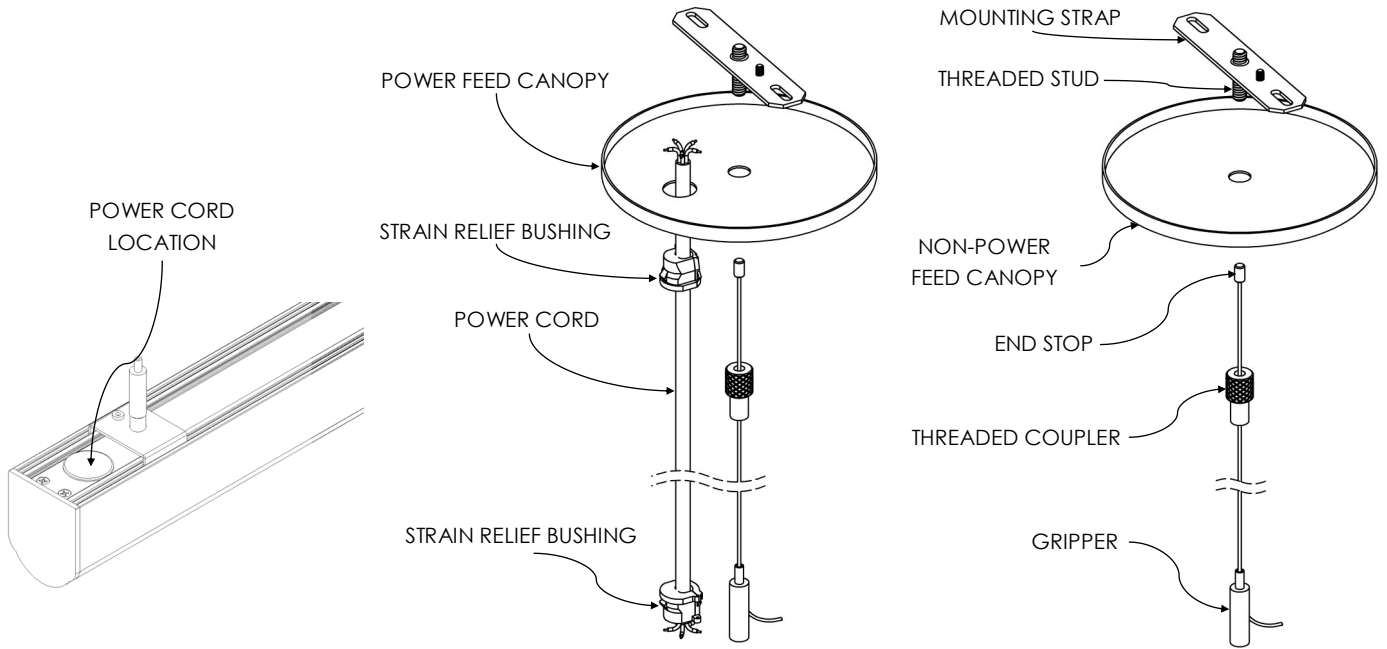
EXAMPLE: NOV2D-40-H-SD-35K-80-PW-ACW10-U-1C-1EMB10

<sup>1</sup> Tunable White Driver must be specified in options  
<sup>2</sup> 50 Watt Max. Dual driver required for higher fixture wattage  
<sup>3</sup> D4i driver for static & DALI-2 Type 8 for tunable.

Type:	
Project:	
REP/Agent:	
Order #:	

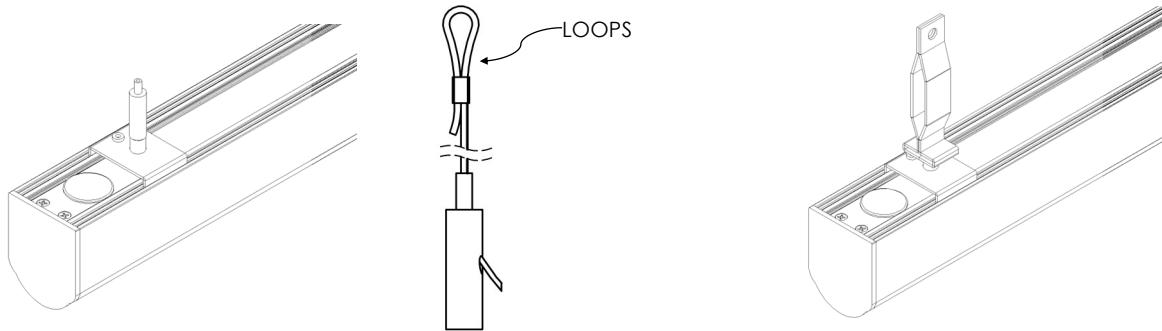
## MOUNTING OPTIONS

### ACxxx (Aircraft Cable with Canopy) - Drywall, Solid, Tile (On-Grid), Tile (Off-Grid)



### ALxxx (Aircraft Cable with Loops)

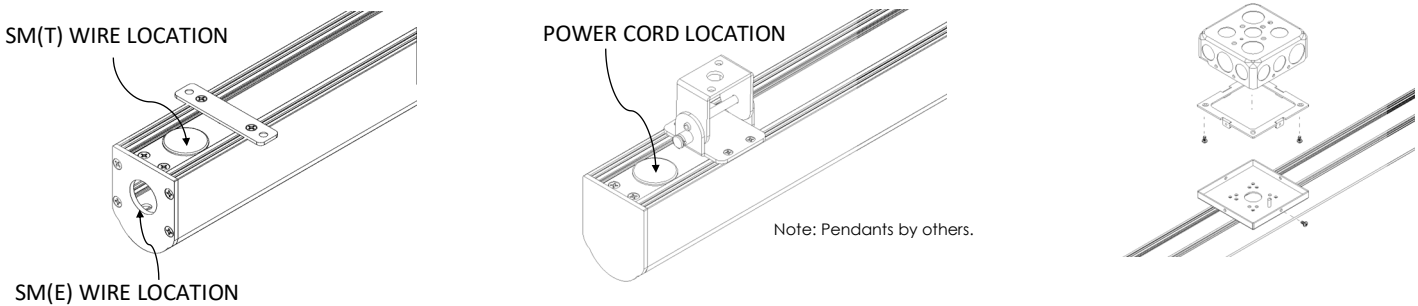
### TM (T-Grid Mount)



### SM (Surface Mount)

### RM (Rotational Mount)

### BX (Box Mount 4" Square)



Fixture supplied with 7/8" hole (fittings provided by others).  
Please consult factory for different wiring options.

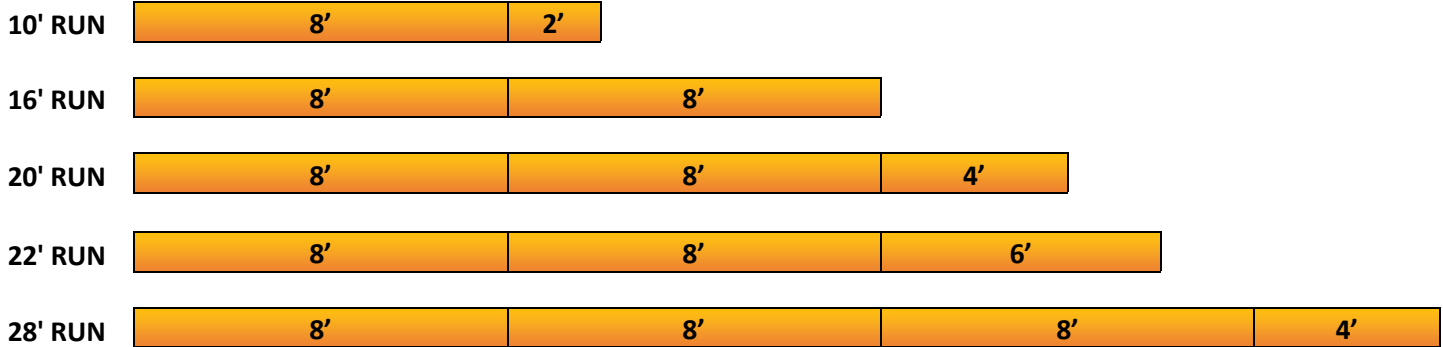
Type:	
Project:	
REP/Agent:	
Order #:	

## ROW CONFIGURATIONS

### xx (Run Length)

The standard construction of run lengths is to build with as many 8' sections as possible and finish the run with a shorter length fixture if necessary.

Examples of the standard construction of runs over 8' are as follows:

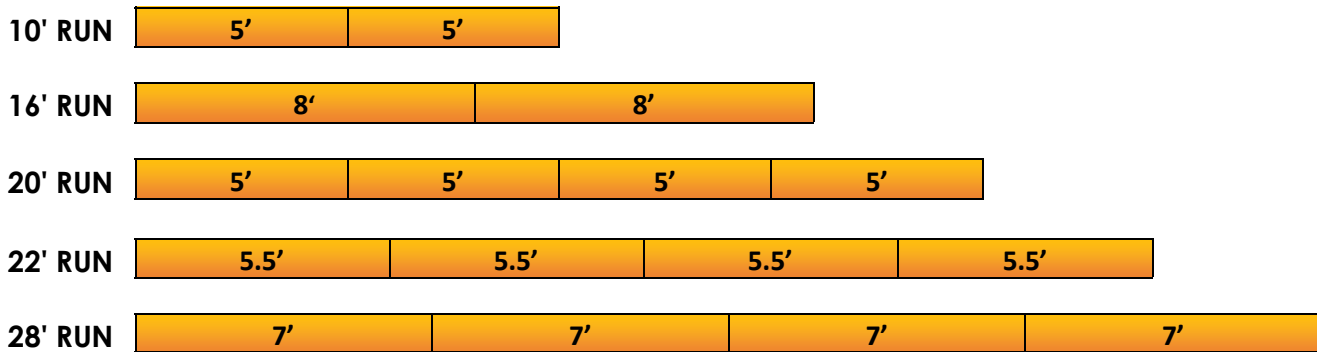


**NOTE: Fixtures in continuous runs are available in 6" increments.**

### SRxx (Symmetric Run)

The construction of SRxx is to build with equal length fixtures. Please indicate this on your P.O. when placing your order.

Examples of symmetric construction of runs over 8' are as follows:

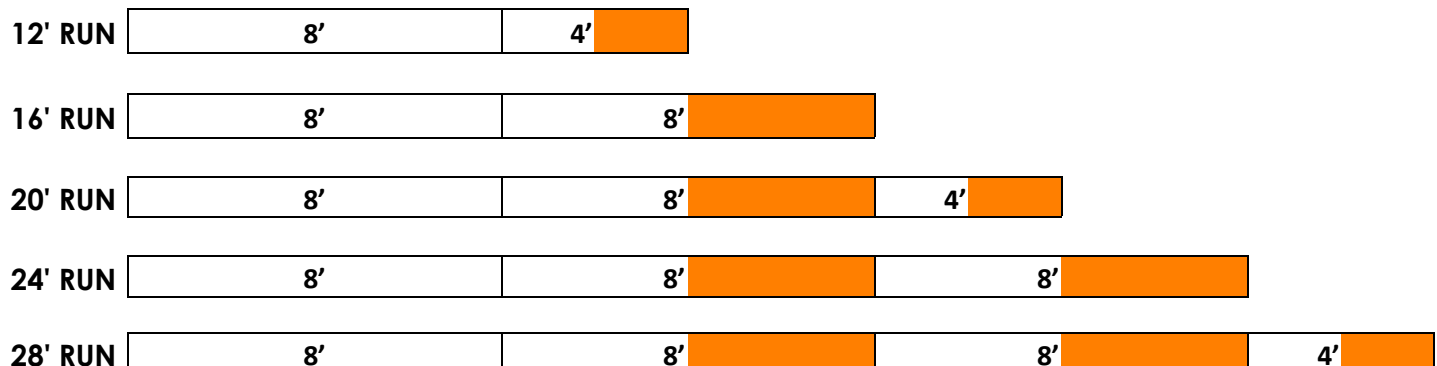


**NOTE: Fixtures in continuous runs are available in 6" increments.**

## MOUNTING LOCATIONS

Each starter or individual fixture will be provided with (2) mounting supports (●). Each additional fixture will be provided with (1) support which can be located anywhere along the 2nd half of the fixture (highlighted below):

Examples of continuous run mounting locations are as follows:

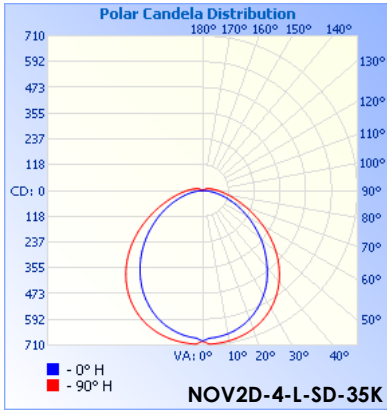


Type:	
Project:	
REP/Agent:	
Order #:	

**PERFORMANCE**

\***Bold indicates DLC Premium 5.0 Listed**

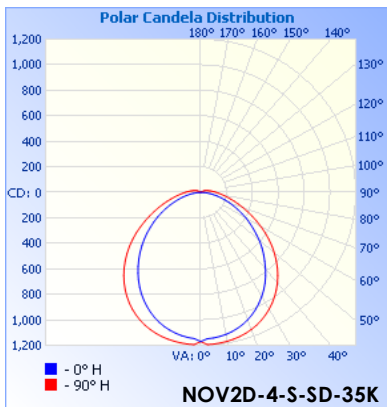
**LOW OUTPUT (80+ CRI)**



Model	Lumens	Watts	LPW
NOV2D-4-L-SD-30K	2,029	17	121
NOV2D-4-L-SD-35K	2,058	17	123
NOV2D-4-L-SD-40K	2,086	17	125
<b>NOV2D-4-L-SD-50K</b>	<b>2,143</b>	<b>17</b>	<b>128</b>

Model	Lumens	Watts	LPW
NOV2D-8-L-SD-30K	<b>4,307</b>	<b>33</b>	<b>131</b>
NOV2D-8-L-SD-35K	<b>4,375</b>	<b>33</b>	<b>133</b>
NOV2D-8-L-SD-40K	<b>4,443</b>	<b>33</b>	<b>135</b>
NOV2D-8-L-SD-50K	<b>4,578</b>	<b>33</b>	<b>140</b>

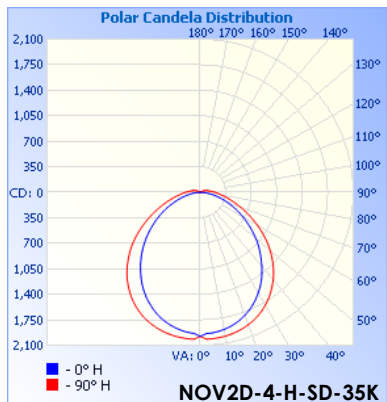
**STANDARD OUTPUT (80+ CRI)**



Model	Lumens	Watts	LPW
NOV2D-4-S-SD-30K	<b>3,424</b>	<b>27</b>	<b>129</b>
NOV2D-4-S-SD-35K	<b>3,483</b>	<b>27</b>	<b>131</b>
NOV2D-4-S-SD-40K	<b>3,541</b>	<b>27</b>	<b>133</b>
NOV2D-4-S-SD-50K	<b>3,658</b>	<b>27</b>	<b>137</b>

Model	Lumens	Watts	LPW
NOV2D-8-S-SD-30K	<b>7,204</b>	<b>53</b>	<b>136</b>
NOV2D-8-S-SD-35K	<b>7,329</b>	<b>53</b>	<b>138</b>
NOV2D-8-S-SD-40K	<b>7,453</b>	<b>53</b>	<b>140</b>
NOV2D-8-S-SD-50K	<b>7,702</b>	<b>53</b>	<b>145</b>

**HIGH OUTPUT (80+ CRI)**



Model	Lumens	Watts	LPW
NOV2D-4-H-SD-30K	<b>5,805</b>	<b>47</b>	<b>123</b>
NOV2D-4-H-SD-35K	<b>5,882</b>	<b>47</b>	<b>125</b>
NOV2D-4-H-SD-40K	<b>5,960</b>	<b>47</b>	<b>127</b>
<b>NOV2D-4-H-SD-50K</b>	<b>6,114</b>	<b>47</b>	<b>130</b>

Model	Lumens	Watts	LPW
NOV2D-8-H-SD-30K	<b>11,776</b>	<b>93</b>	<b>127</b>
NOV2D-8-H-SD-35K	<b>11,917</b>	<b>93</b>	<b>128</b>
NOV2D-8-H-SD-40K	<b>12,137</b>	<b>93</b>	<b>130</b>
NOV2D-8-H-SD-50K	<b>12,578</b>	<b>93</b>	<b>135</b>

Type:	
Project:	
REP/Agent:	
Order #:	

## SPECIFICATIONS

### Housing

Nominal 2" x 2 1/2" housing of continuous extruded 6063 T5 aluminum.

### Color

Colors for the housing are available in a powder coated white, black and silver with end cap to match. Consult factory for custom colors.

### Luminaire Length

4' or 8' lengths are available for a single stand-alone section. Using internal joiners, 4' and 8' sections can be joined to form longer rows.

### End Caps

Injection molded flat end caps are mechanically attached with no exposed fasteners to enhance architectural aesthetic and prevent light leak.

### Source

Two standard lumen packages are available in four color temperature options (3000K, 3500K, 4000K and 5000K) — all within 2.5 MacAdam ellipses.

### Certification

Intertek cETLus Listed. DLC Premium listed options are available. RoHS (Restriction of Hazardous Substances) and Buy American Act compliant.

### Battery

Philips Bodine lithium ion battery providing up to 780lm(6W) or up to 1300lm(10W) for 90 minutes. UL924 listed. Class 2 compliant. Meets Title 20 CEC (California Energy Commission) efficiency standards.

### Environment

Suitable for dry and damp locations.

Operating temp.: -40°C to +50°C  
-40°F to +122°F

### Dimming Driver

Universal Lighting Technologies (ULT) Everline series of LED drivers allows tunable output currents to achieve infinite configurations of output. UL Class 2 recognized. 0-10v interface can be wired as Class 1 or Class 2 circuit. Included 2.5Kw ring and wave overcurrent protection, isolation of each individual output and a fully potted driver to protect from heat and vibration. Power factor <.93

### Packaging

Sustainably manufactured outside cardboard box and biodegradable, protective poly-foam luminaire inserts.

## RUN LENGTHS

Maximum run lengths are calculated based on wattage consumed per foot utilizing 8' fixtures.

MODEL	120V	277V
NOV2D-x-S	177'	410'
NOV2D-x-H	103'	238'

## Wireless Node



## COMPANION PRODUCTS

Nova 2 Direct/Indirect



Nova 2 Curve Direct



Nova 2 Hoop



## WARRANTY

5-year limited warranty. Complete warranty terms can be located at:

[http://www.starteklightingamerica.com/images/pdf/warranty/Nova\\_2\\_Warranty.pdf](http://www.starteklightingamerica.com/images/pdf/warranty/Nova_2_Warranty.pdf)

Note: Actual performance may differ as a result of installation environment and final application. All values are design or typical values, measured under laboratory conditions, at 25°C (77°F).