

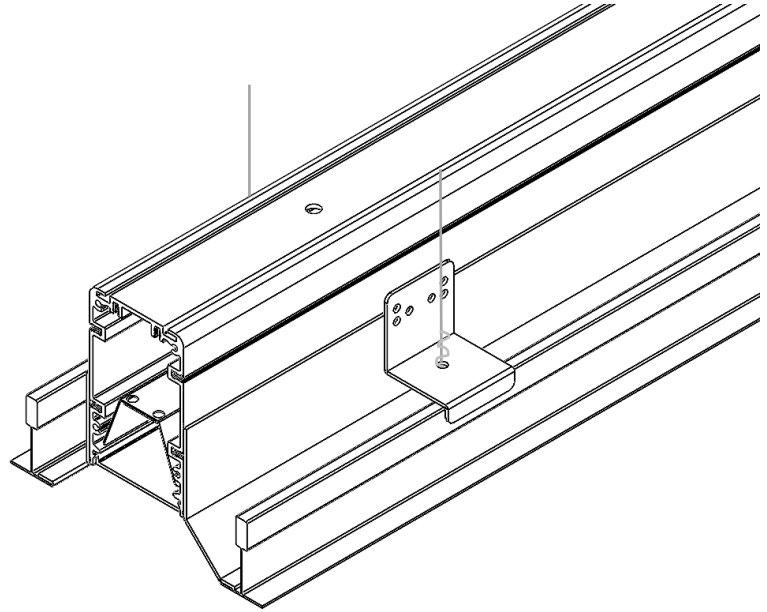
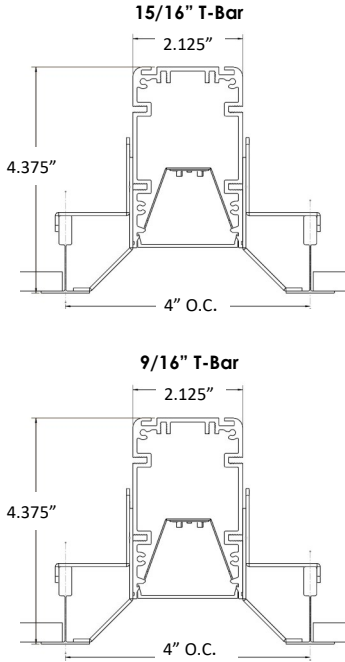


Type:	
Project:	
REP/Agent:	
Order #:	

## MOUNTING OPTIONS

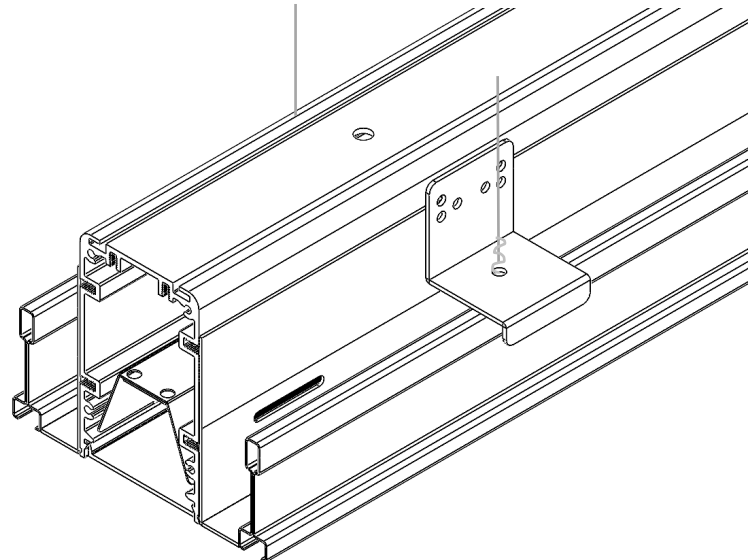
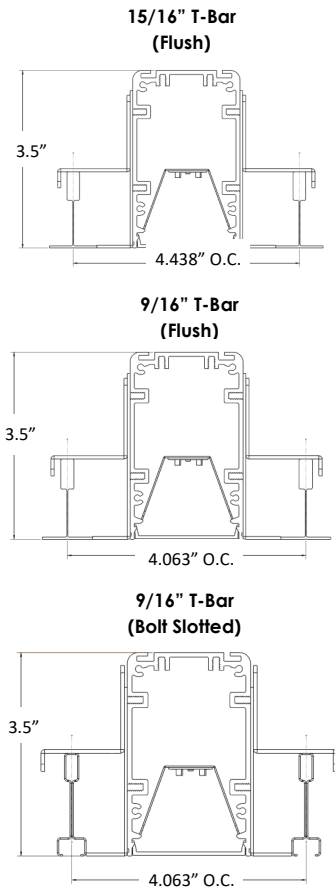
### TBX - ATG (Angled Bezel) Shielding

Designed to work with grid heights of 1-1/2", 1-11/16", and 1-3/4".



### TBX - FTG (Flush Bezel) Shielding

Designed to work with grid heights of 1-1/2", 1-11/16", and 1-3/4". Please consult factory if another configuration is desired.



Type:	
Project:	
REP/Agent:	
Order #:	

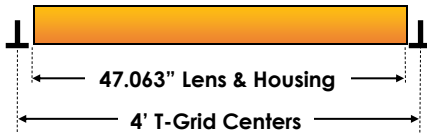
## INDIVIDUAL AND CONTINUOUS FIXTURE CONFIGURATION—T-GRID

### Individual & Continuous Run

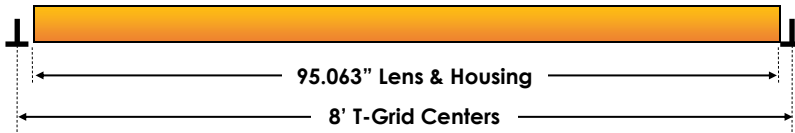
The lengths of individual fixtures and run lengths specified in the ordering logic is the distance between the centers of the T-Grids (See Page 4). The actual length of the fixtures and the lens will be shorter from that specified length. In a run, the last fixture compensates for the T-Grid. If a different configuration is needed to meet an aesthetic requirement, please indicate this on your P.O. when placing your order.

Examples of the standard construction of T-Grid configurations are as follows:

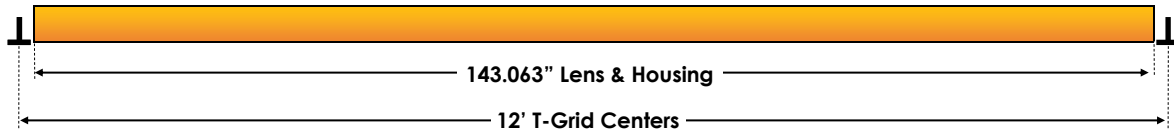
#### 4' FIXTURE



#### 8' FIXTURE



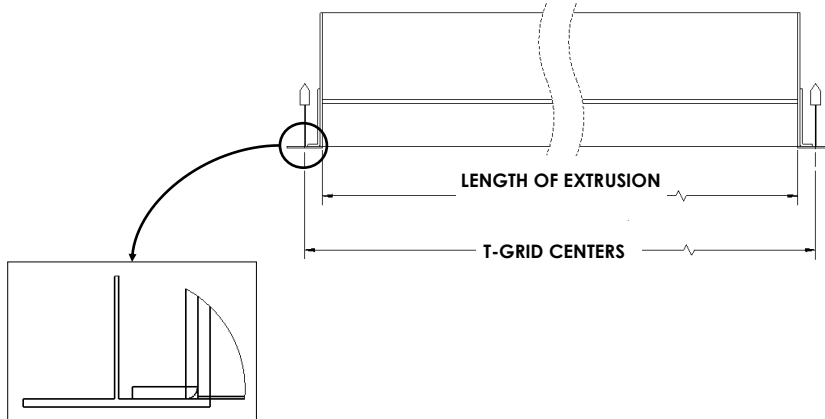
#### 12' RUN



Type:	
Project:	
REP/Agent:	
Order #:	

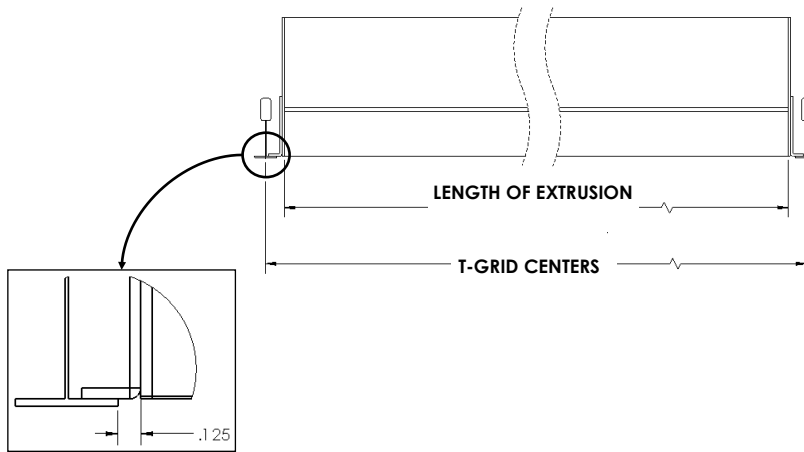
**T-GRID LENGTHS**

**15/16" T-BAR**



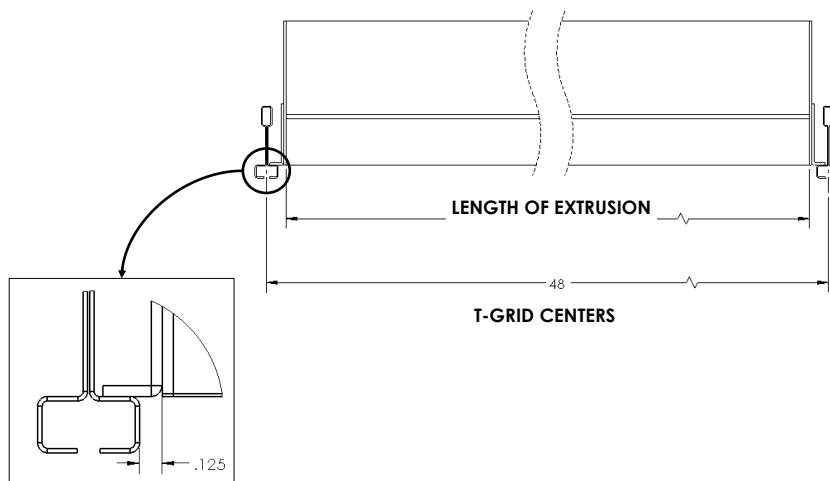
**Detailed View**

**9/16" T-BAR**



**Detailed View**

**9/16" SCREW SLOT**

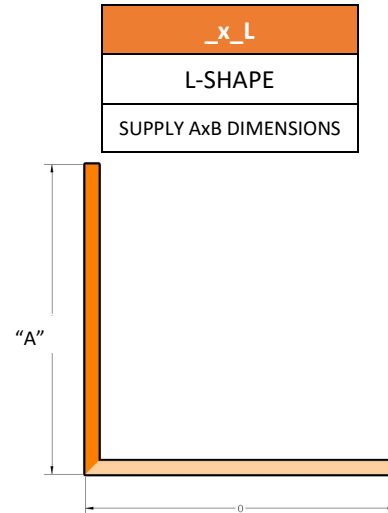
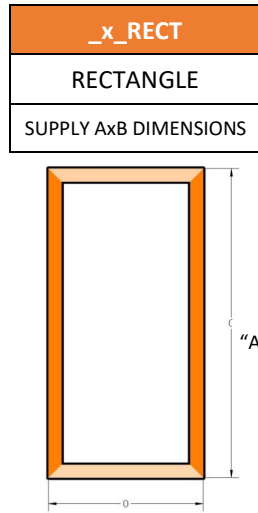


**Detailed View**

Type:	
Project:	
REP/Agent:	
Order #:	

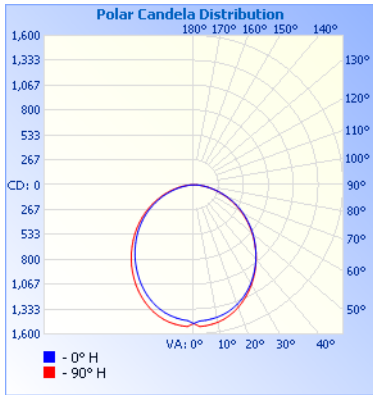
## SHAPE CONFIGURATION WITH MITER CUTS

Specify the configuration and overall dimensions. Note the overall dimension is for the fixture and does not include any mounting brackets or accessories. For the "L" shape, the standard construction is to build with as many 8' sections as possible or use the longest sections first and finish the shapes with a shorter length fixture if necessary.



## PERFORMANCE

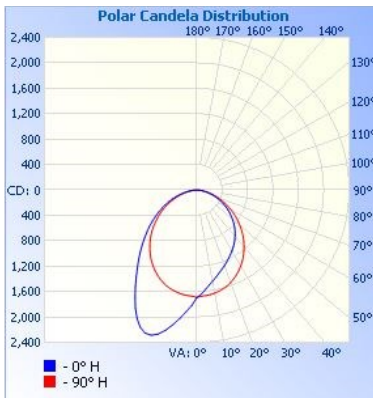
### RFLEX-X-1000-SD (80+ CRI)



Model	Lumens	Watts	LPW
RSFLEX-4-1000-SD-30K	4,000	35	115
RSFLEX-4-1000-SD-35K	4,000	34	118
RSFLEX-4-1000-SD-40K	4,000	33	121
RSFLEX-4-1000-SD-50K	4,000	32	126

Model	Lumens	Watts	LPW
RSFLEX-8-1000-SD-30K	8,000	67	119
RSFLEX-8-1000-SD-35K	8,000	65	122
RSFLEX-8-1000-SD-40K	8,000	64	125
RSFLEX-8-1000-SD-50K	8,000	62	130

### RFLEX-X-1000-WW (80+ CRI)



Model	Lumens	Watts	LPW
RSFLEX-4-1000-WW-30K	4,000	33	123
RSFLEX-4-1000-WW-35K	4,000	32	126
RSFLEX-4-1000-WW-40K	4,000	31	129
RSFLEX-4-1000-WW-50K	4,000	30	134

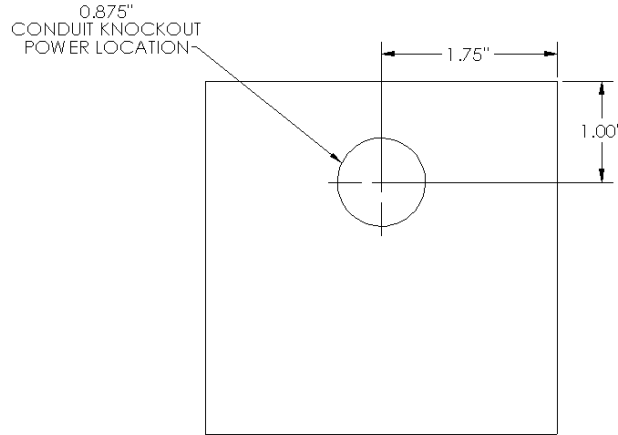
Model	Lumens	Watts	LPW
RSFLEX-8-1000-WW-30K	8,000	63	127
RSFLEX-8-1000-WW-35K	8,000	62	130
RSFLEX-8-1000-WW-40K	8,000	60	133
RSFLEX-8-1000-WW-50K	8,000	58	138

Type:	
Project:	
REP/Agent:	
Order #:	

## POWER LOCATION & WIRING DIAGRAMS

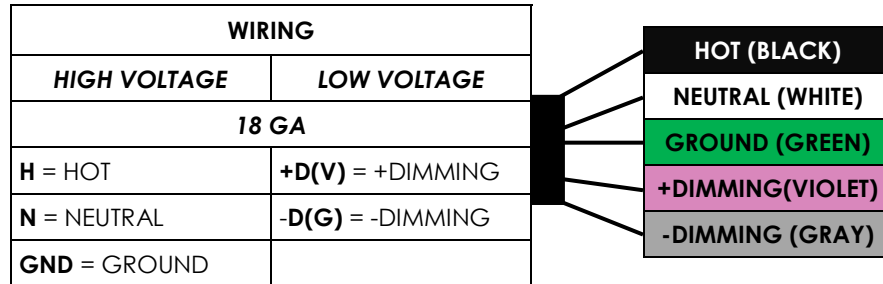
### POWER LOCATION

The standard power location is out the end cap on the starter fixture. If a different configuration is needed to meet an aesthetic or placement requirement, please consult the factory.

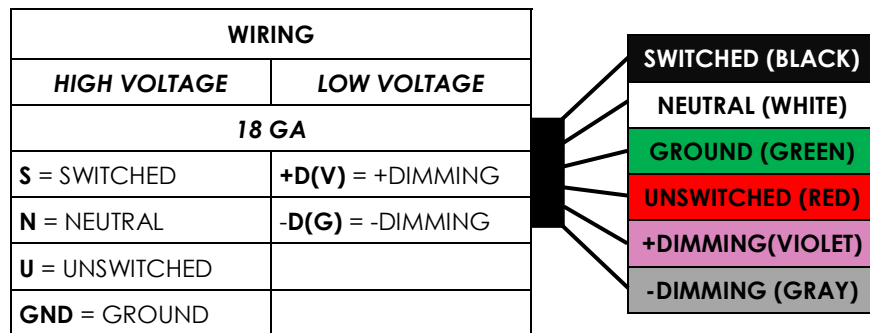


### WIRING DIAGRAMS

Wiring configurations are dependent on the options chosen. Below are a few examples of our standard wiring that is used to power the fixture.



This wiring diagram is showing a standard set of wires for a basic fixture.



This wiring diagram is showing a set of wires for a fixture with an emergency battery.

Type:	
Project:	
REP/Agent:	
Order #:	

## SPECIFICATIONS

### Housing

Nominal 3 1/2" x 3 1/2" square housing of continuous extruded 6063 T5 aluminum.

### Luminaire Length

2', 4', 6' or 8' lengths are available for a single stand-alone section. Using internal joiners, sections can be joined to form longer rows.

### Battery

Philips Bodine lithium ion battery providing up to 720lm (6W) or up to 1200lm (10W) for 90 minutes. UL924 listed. Class 2 compliant. Meets Title 20 CEC (California Energy Commission) efficiency standards.

### Lensing

Snap-in .080" thick acrylic lensing with impact modifier

### Source

Four standard lumen packages are available in four color temperature options (3000K, 3500K, 4000K and 5000K) — all within 3 MacAdam ellipses.

### Certification

Intertek cETLus Listed. RoHS (Restriction of Hazardous Substances) and Buy American Act compliant.

### Environment

Suitable for dry and damp locations.  
Operating temp.: -40°C to +45°C

### Dimming Driver

Universal Lighting Technologies (ULT) Everline series of LED drivers allows tunable output currents to achieve infinite configurations of output. UL Class 2 recognized. 0-10v interface can be wired as Class 1 or Class 2 circuit. Included 2.5Kw ring and wave overcurrent protection, isolation of each individual output and a fully potted driver to protect from heat and vibration. Power factor <.93

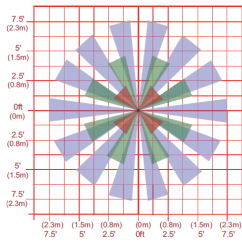
### Packaging

Sustainably manufactured outside cardboard box and biodegradable, protective poly-foam luminaire inserts.

## CONTROL

### Sensor

Wattstopper FS-205 v2 Low Voltage PIR. Integrated photosensor for hold-off daylighting control. 24VDC operating voltage. Adjustable time delay (30 seconds to 30 minutes).

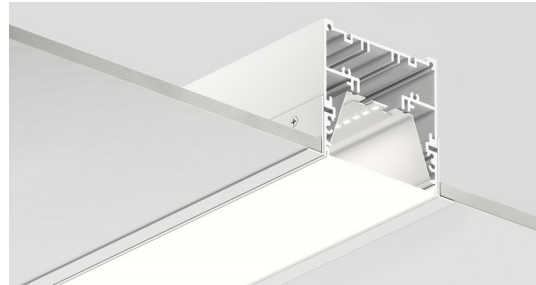


### Wireless Node

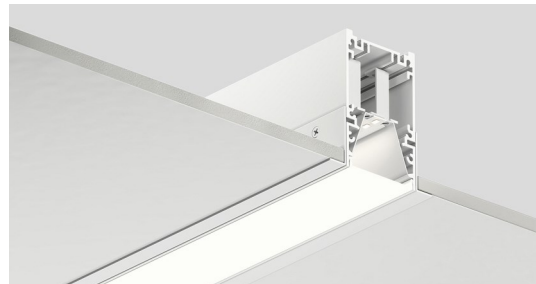


## COMPANION PRODUCTS

### Recessed Beam



### Recessed Slim



## WARRANTY

5-year limited warranty. Complete warranty terms can be located at:

[http://www.starteklightingamerica.com/images/pdf/warranty/Beam\\_Series\\_Warranty.pdf](http://www.starteklightingamerica.com/images/pdf/warranty/Beam_Series_Warranty.pdf)

Note: Actual performance may differ as a result of installation environment and final application. All values are design or typical values, measured under laboratory conditions, at 25°C (77°F) .