

# INSTALLATION INSTRUCTIONS



THIS PRODUCT MUST BE INSTALLED IN ACCORDANCE WITH THE APPLICABLE INSTALLATION CODE BY A PERSON FAMILIAR WITH THE CONSTRUCTION AND OPERATION OF THE PRODUCT AND THE HAZARDS INVOLVED.
CE PRODUIT DOIT ETRE INSTALLE SELON LE CODE D'INSTALLATION PERTINENT, PAR UNE PERSONNE QUI CONNAIT BIEN LE PRODUIT ET SON FONCTIONNEMENT AINSI QUE LES RISQUES INHERENTS.
DISCONNECT POWER PRIOR TO ANY INSTALLATION.
DEBRANCHEZ LE COURANT AVANT TOUTE INSTALLATION.
CAP ALL WIRING CONNECTIONS WITH UL APPROVED WIRE CONNECTORS.
COUVRIR TOUTES LES CABLES AVE DES CONNECTIONS APPROUVES (UL).
VERIFY SUPPLY VOLTAGE MEETS LUMINAIRE LABEL SPECIFICATIONS.
VERIFIEZ QUE LA TENSION SOIT COMPATIBLE AVEC LES CARACTERISTIQUES DU LUMINAIRE MARQUE SUR LETIQUETTE.
ALLOW FIXTURE TO COOL BEFORE TOUCHING HEATSINK OR LIGHT SOURCE.
LAISSEZ LE PROJECTEUR REFOIDIR AVANT DE TOUCHER LE RADIATEUR OU LA SOURCE DE LUMIERE.
DO NOT ATTEMPT TO OPEN OR MAKE REPAIRS INSIDE LUMINAIRE.
NE PAS TENTER DOUVRIRE OU DE FAIRE DES REPARATINS A L'INTERIEUR DU LUMINAIRE.
AVOID DIRECT VIEWING OF LIGHT SOURCE.
EVITEZ DE REGARDER DIRECTMENT LA SOURCE LUMINEUSE.
THIS PRODUCT MUST BE INSTALLED BY A QUALIFIED ELECTRICIAN.
CE PRODUIT DOIT ITRE INSTALLE PAR UN ELECTRICIEN QUALIFIE.
SUITABLE FOR DAMP LOCATION.
ADAOTE POUR DES ENDROITS HUMIDES.
MIN 105° C SUPPLY CONDUCTORS.
MIN 105° C ALIMENTATION CONDUCTEURS.



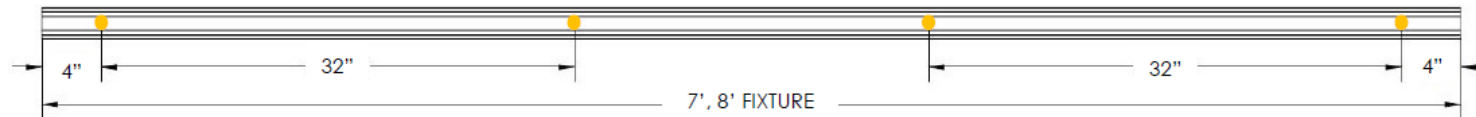
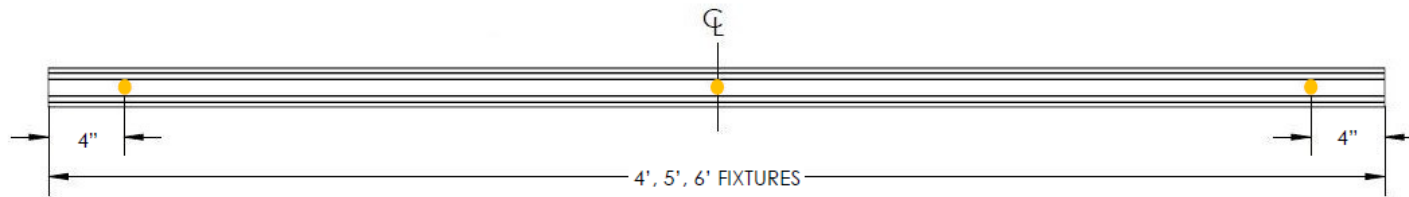
RECESSED SLIM BEAM  
RECESSED BEAM  
RECESSED BEAM FLEX  
RECESSED SLIM FLEX

Note: All pictures shown are of Recessed Slim Beam

# INSTALLATION INSTRUCTIONS

## Mounting Locations: (DWSF) & (DWCB)

Mounting locations (●) vary due to length. Views below show top of fixtures and their hole location. For hard ceilings, we offer two types of options. A threaded rod mount, or a screw mount. Please see below of mounting locations as these vary based on length of the fixture.

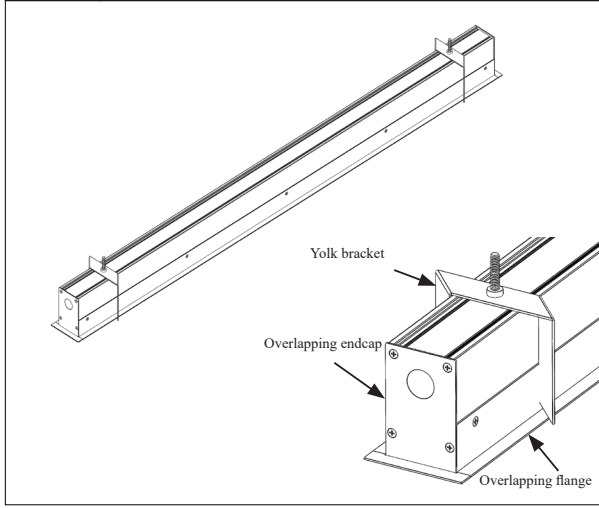


NOTE: Hole size at mounting locations is  $\varnothing.266"$ .

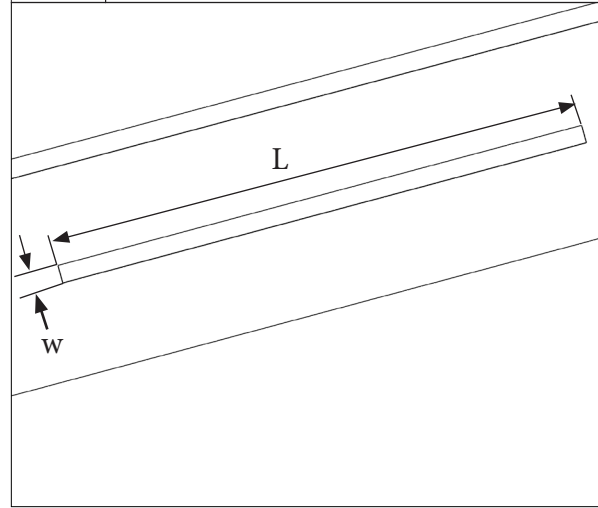
# INSTALLATION INSTRUCTIONS

## Individual Drywall w/Cosmetic Bezel (DWCB)

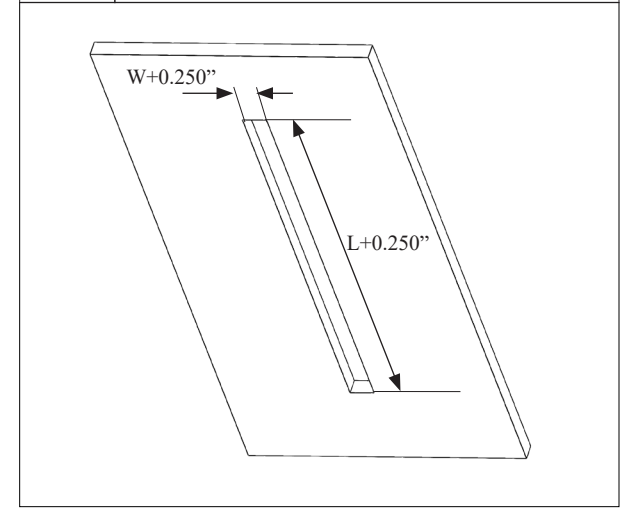
**1** Power must be turned off prior to disconnecting or reconnecting fixture.



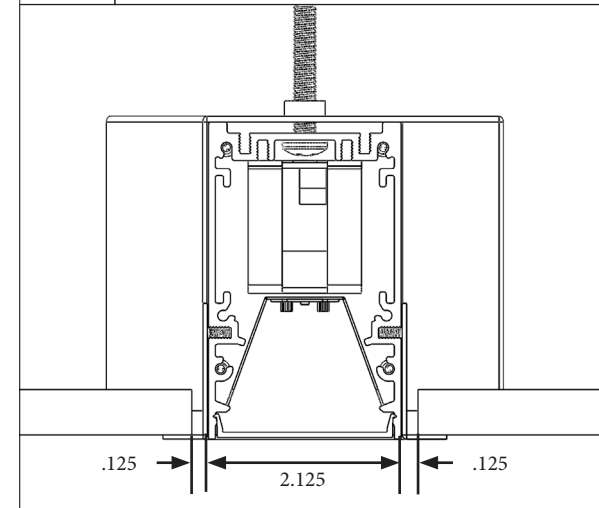
**2** Prepare area where fixture is going to be installed. Finish edges of drywall.



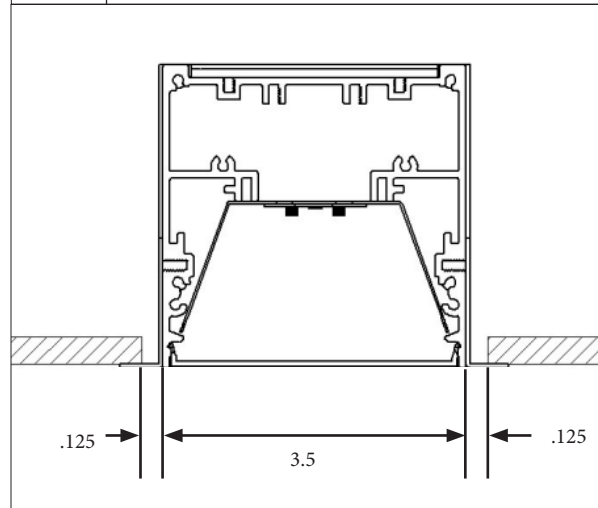
**3** Rough in dimension for cosmetic flange.  $L+1/4''$  Where,  $L$  = length of the fixture (from endcap to endcap)  $W+1/4''$  Where,  $W$  = width of the fixture



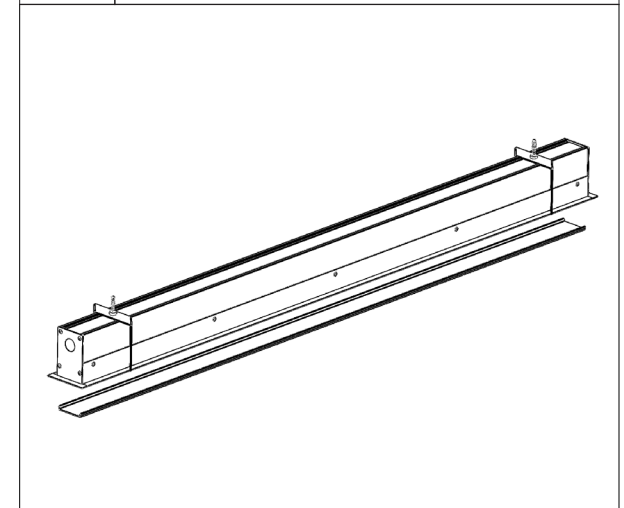
**4** Recessed Slim



**5** Recessed Beam



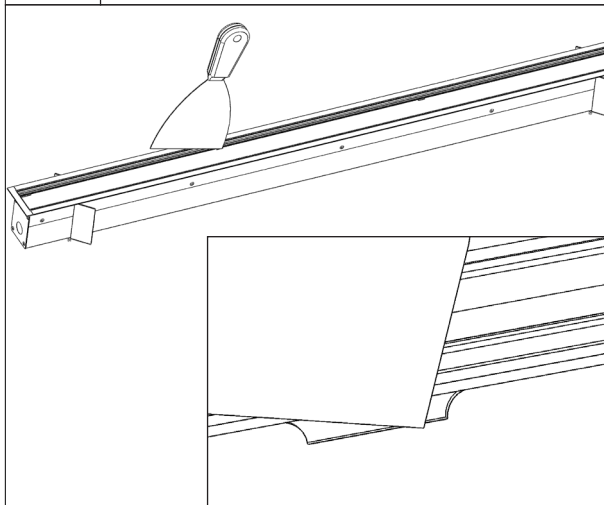
**6** Remove lens.



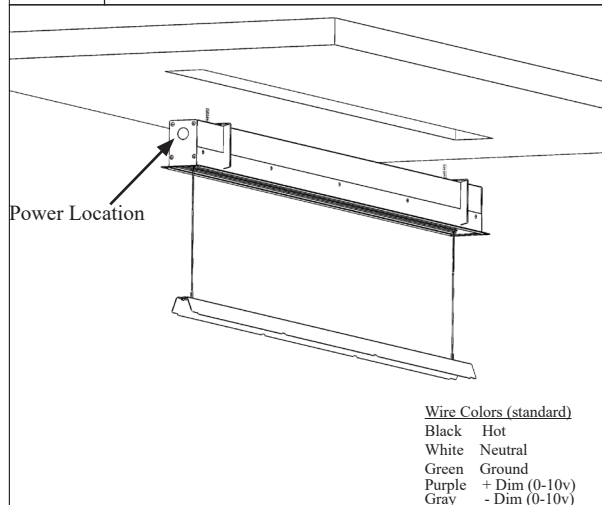
# INSTALLATION INSTRUCTIONS

## Individual Drywall w/Cosmetic Bezel (DWCB)

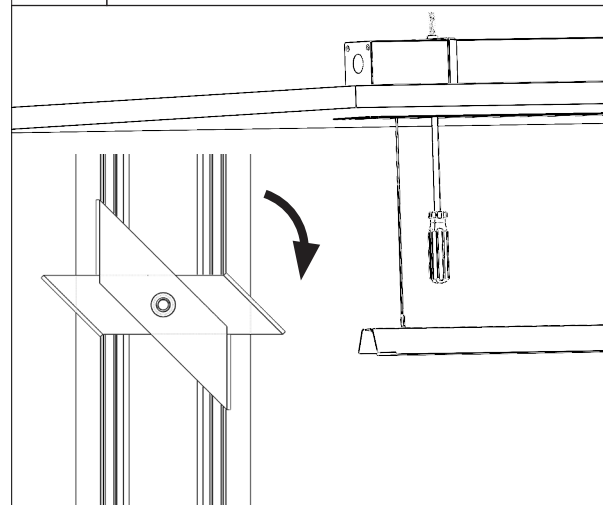
**7** Insert & slide putty knife along edge of reflector to remove from fixture housing.



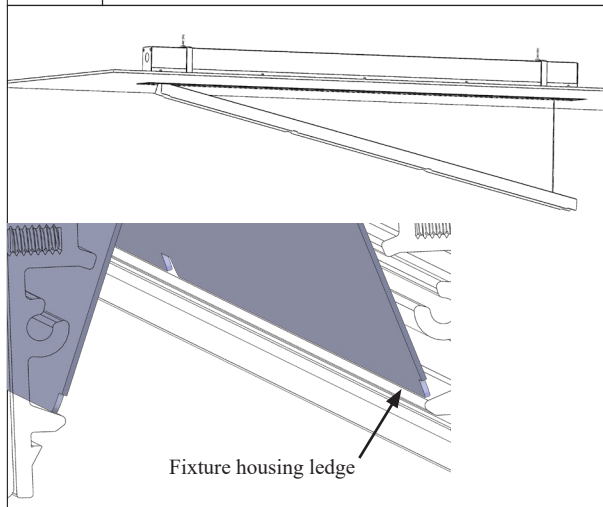
**8** Connect to building mains. Reflector will hang down from fixture with attached lanyard. Insert fixture into the drywall.



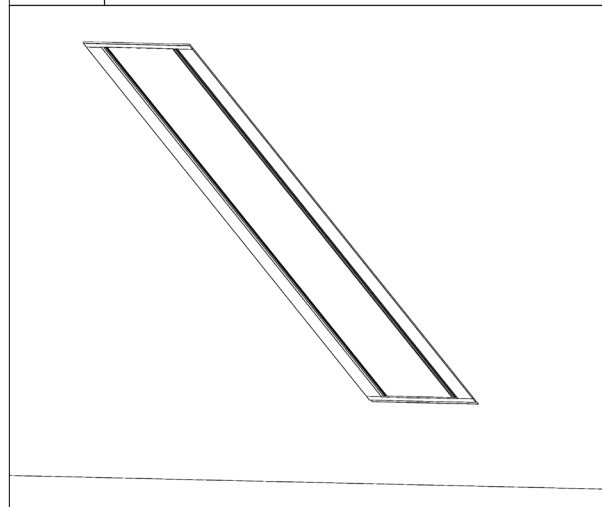
**9** Tighten yolk bracket with screw driver to secure it to drywall. **Note:** To secure yolk bracket firmly, loosen screw, push up and tighten until completely secured to drywall.



**10** Re-install reflector. Make sure the edge of the reflector is properly seated in fixture housing.



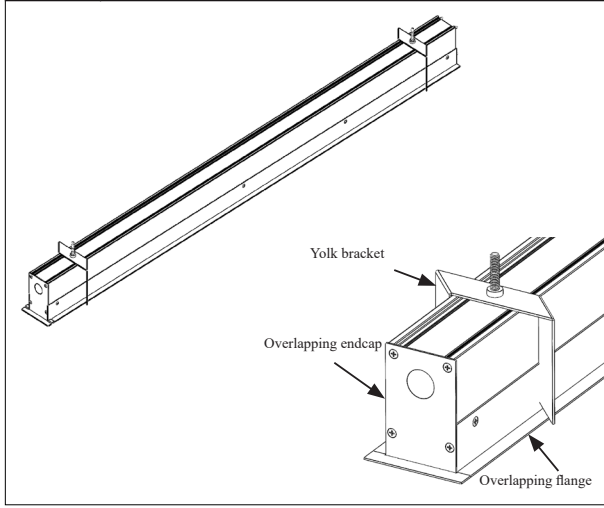
**11** Snap in lens. Restore power.



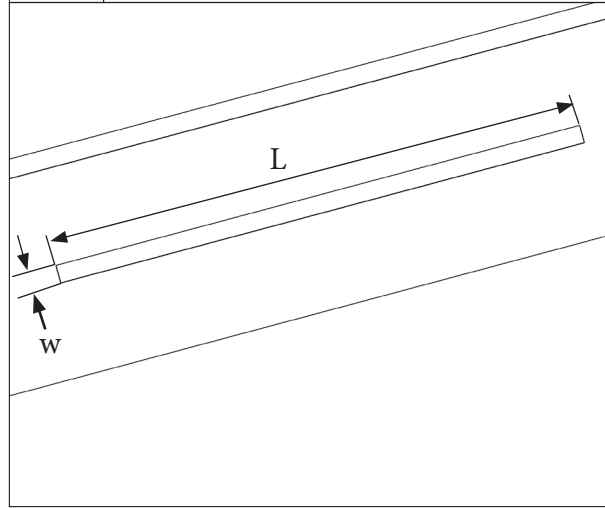
# INSTALLATION INSTRUCTIONS

## Continuous Drywall w/Cosmetic Bezel (DWCB)

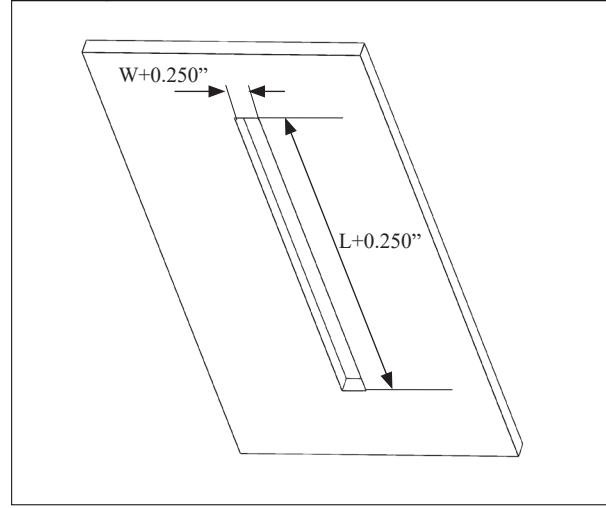
**1** Power must be turned off prior to disconnecting or reconnecting fixture. **Note:** (lensing ships separate from fixtures for Continuous Row installations).



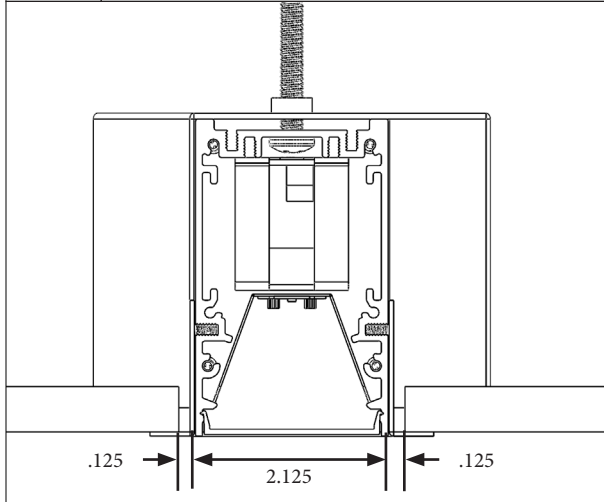
**2** Prepare area where fixture is going to be installed. Finish edges of drywall.



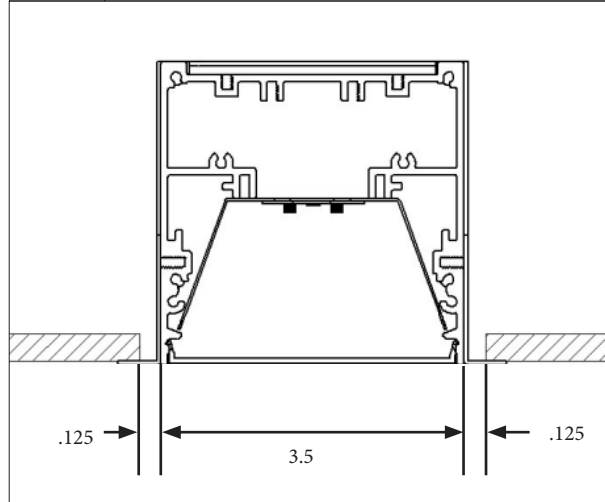
**3** Rough in dimension for cosmetic flange.  $L+1/4''$  Where,  $L$  = length of the fixture (from endcap to endcap)  $W+1/4''$  Where,  $W$  = width of the fixture



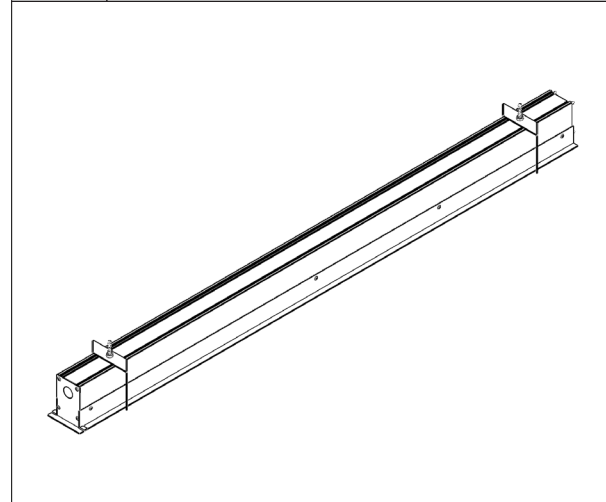
**4** Recessed Slim



**5** Recessed Beam

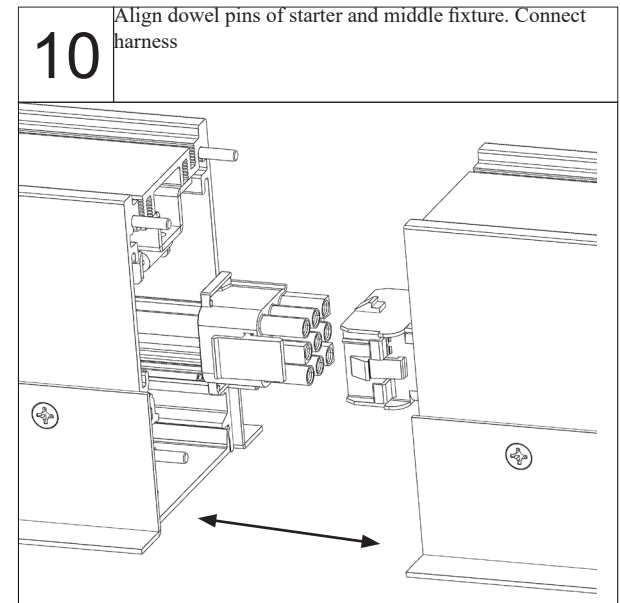
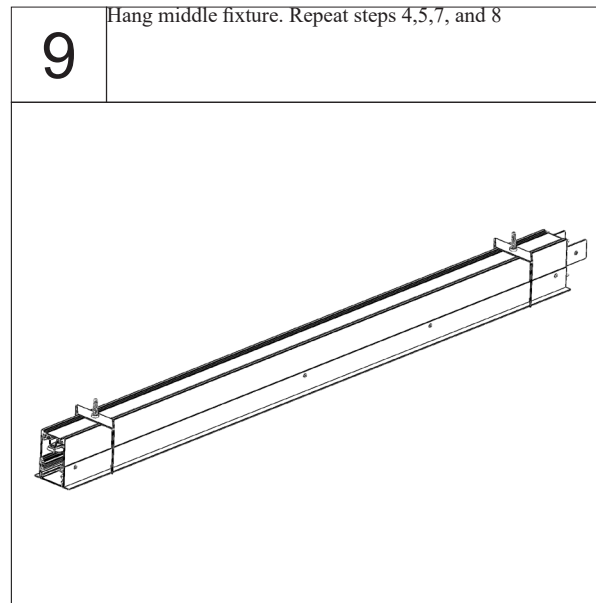
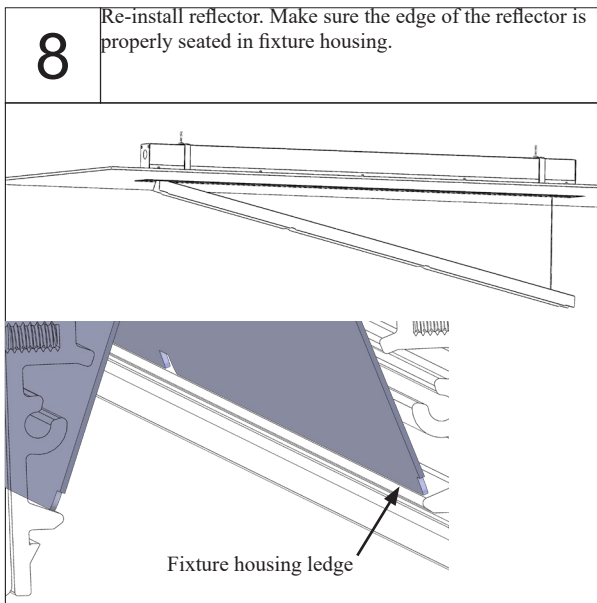
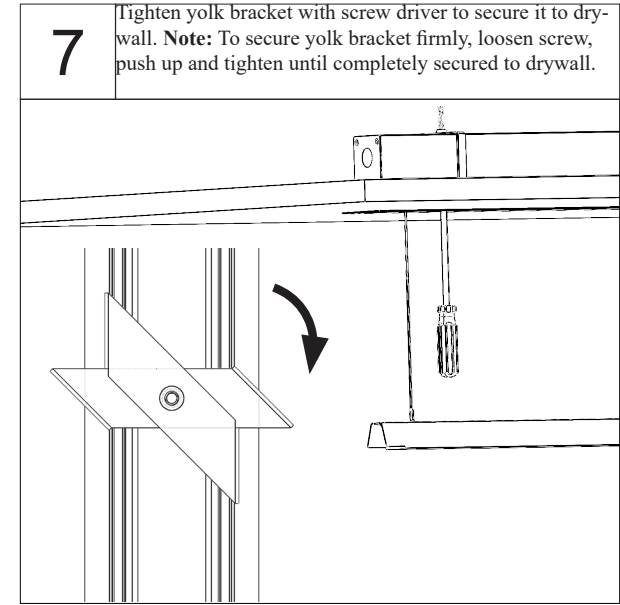
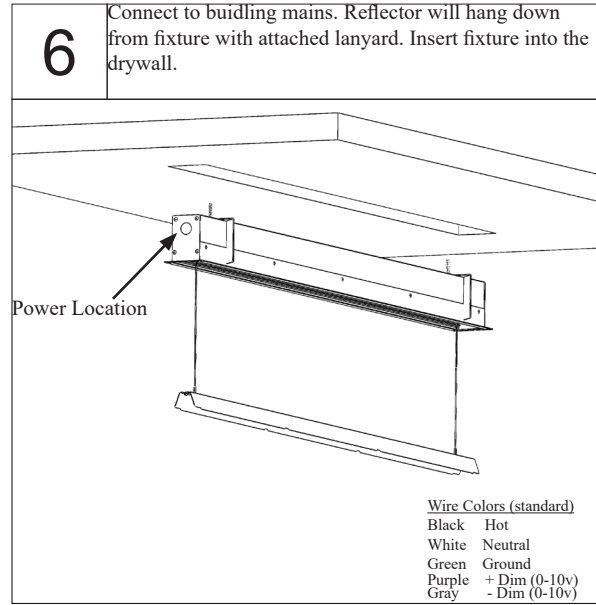
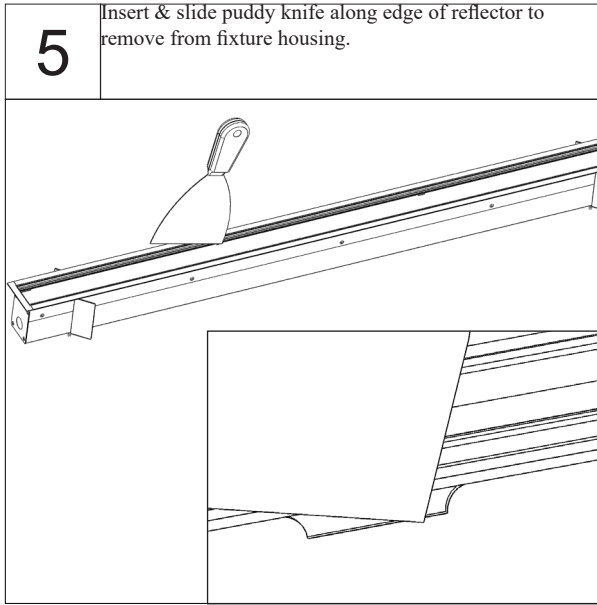


**4** Hang starter fixture



# INSTALLATION INSTRUCTIONS

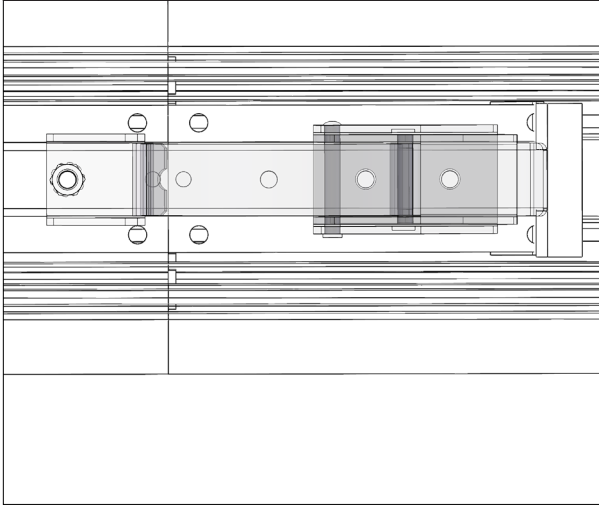
## Continuous Drywall w/Cosmetic Bezel (DWCB)



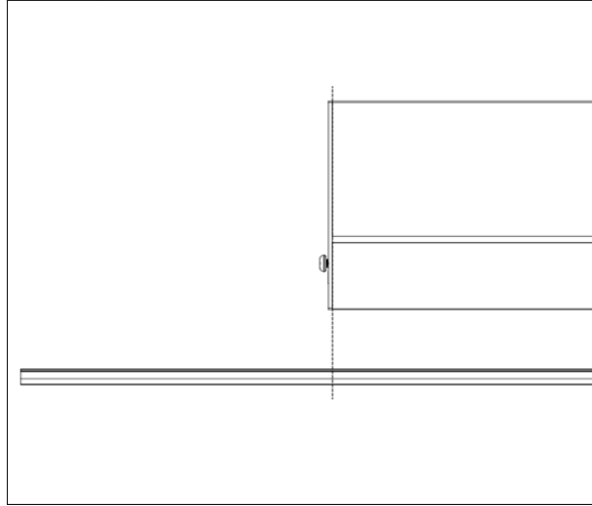
# INSTALLATION INSTRUCTIONS

## Continuous Drywall w/Cosmetic Bezel (DWCB)

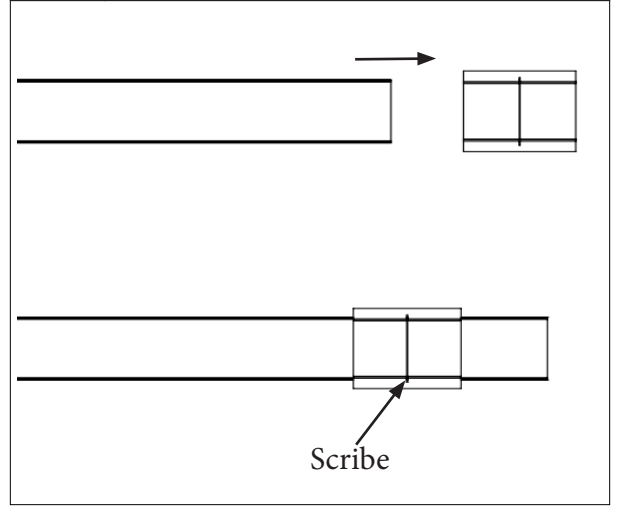
**11** Link fixtures using latch and keeper. **Note:** if needed arises use a screw driver to release the latch. Hang end fixture. Repeat steps 4-5,7-11



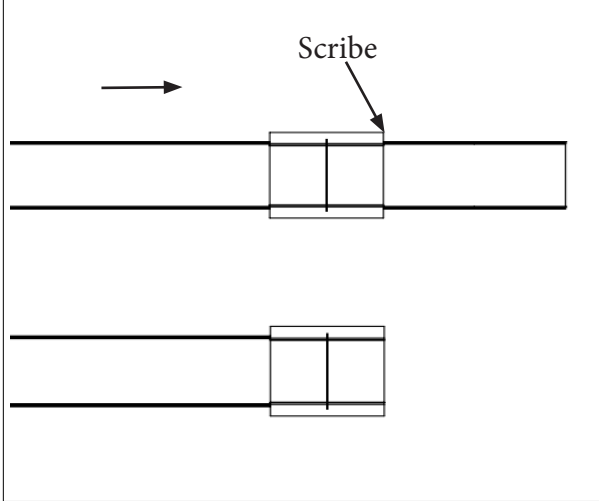
**12** Lenses ship with longer lengths than fixtures. Mark both run length edges of the lens to the edge length of the fixture.



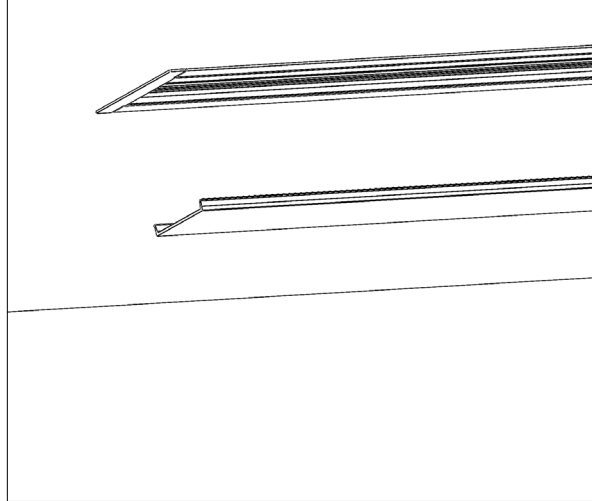
**13** Insert lens into provided lens cutting plates. Scribe the lens a minimum of 10 times.



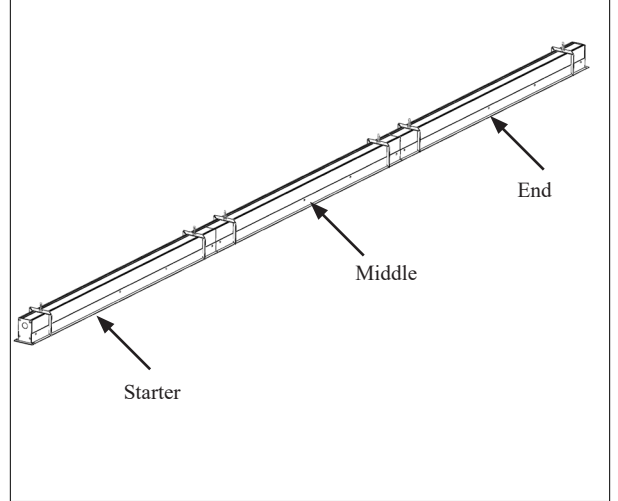
**14** Slide lens out so that the scribed line is at the edge of the cutter. Next, bend and snap the lens while holding lens and cutting plate securely. If the lens does not snap relatively easy, repeat previous step.



**15** Install newly trimmed lens.



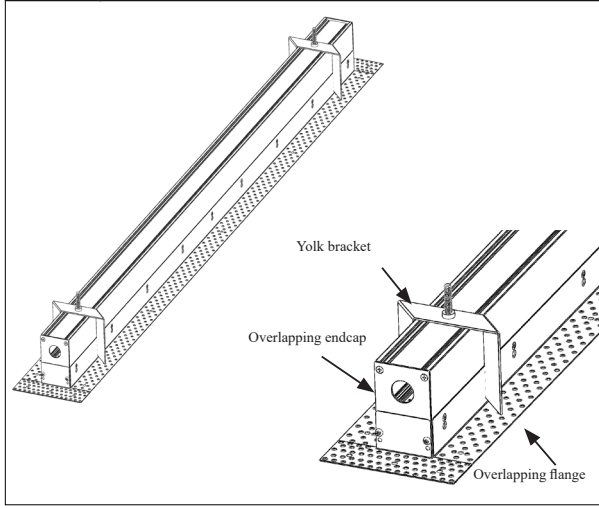
**16** Restore power



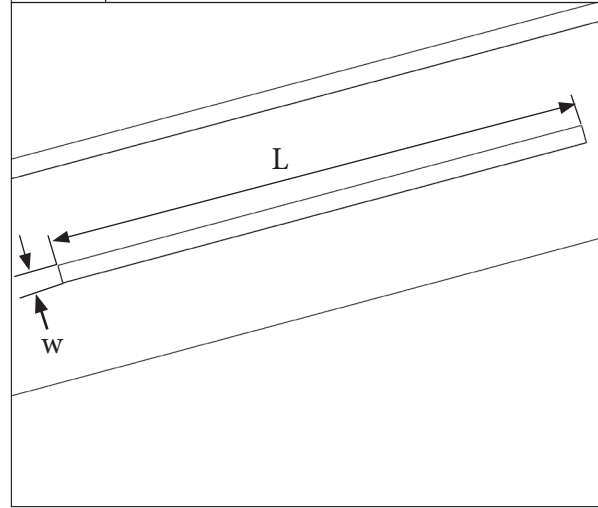
# INSTALLATION INSTRUCTIONS

## Individual Drywall w/Spackle Flange (DWSF)

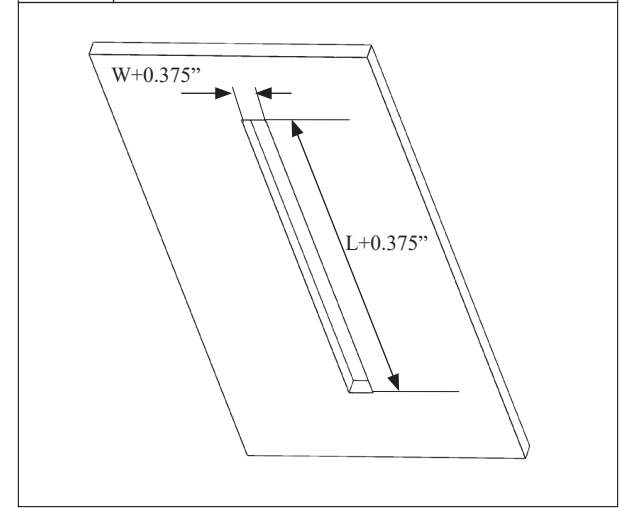
**1** Power must be turned off prior to disconnecting or reconnecting fixture.



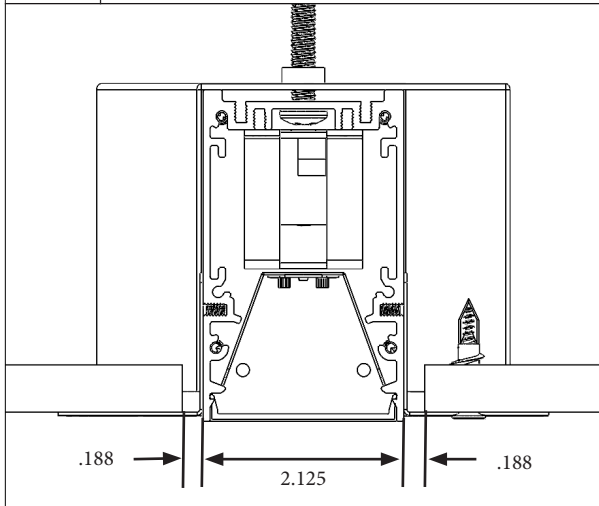
**2** Prepare area where fixture is going to be installed. Finish edges of drywall.



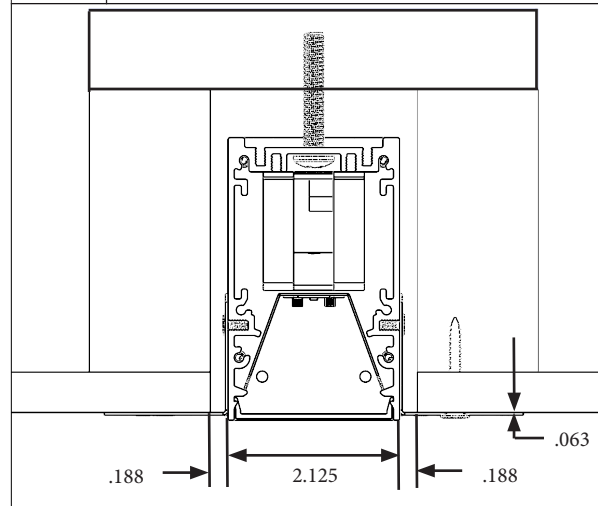
**3** Rough in dimension for Spackle flange.  $L+3/8''$  Where,  $L =$  length of the fixture (from endcap to endcap)  $W+3/8''$  Where,  $W =$  width of the fixture



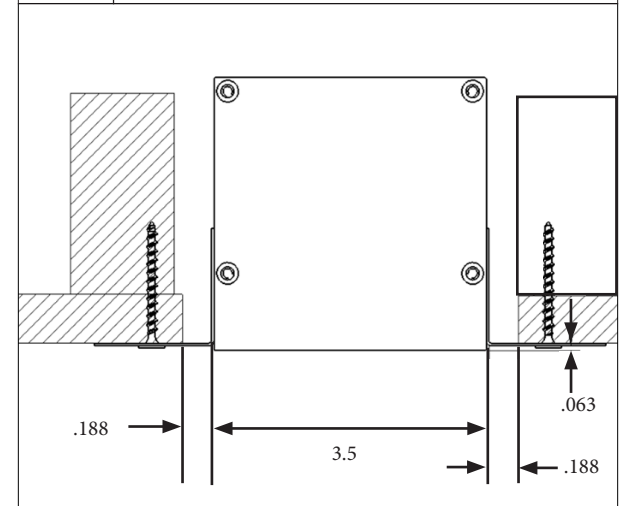
**4** Recessed Slim Beam yoke mount



**5** Recessed Slim Beam screw mount



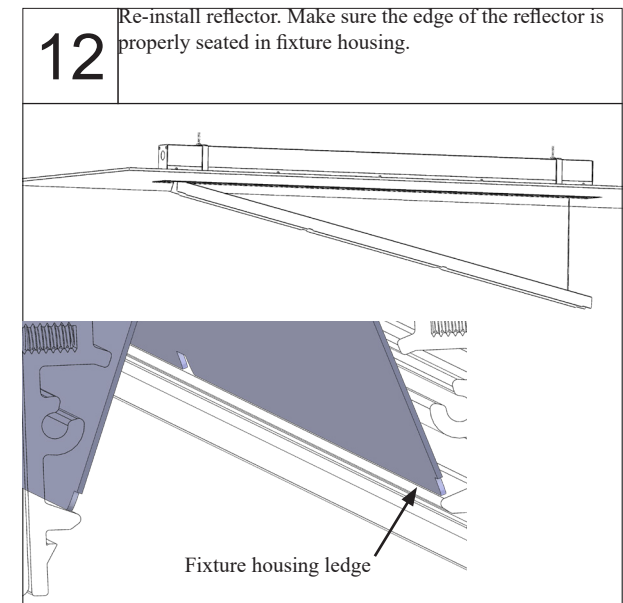
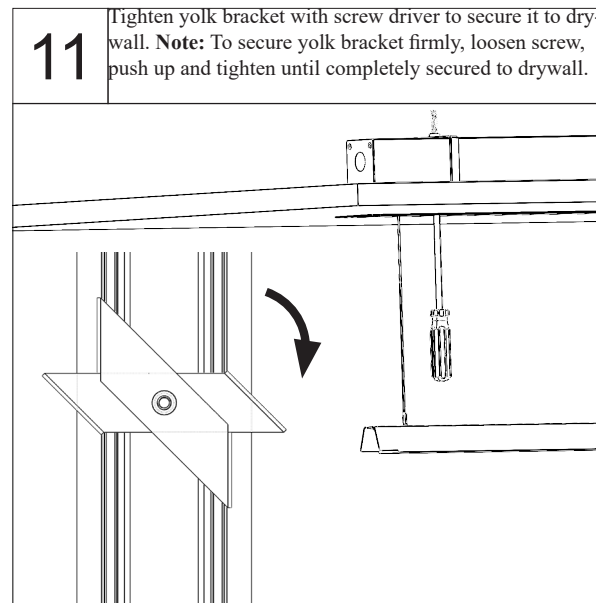
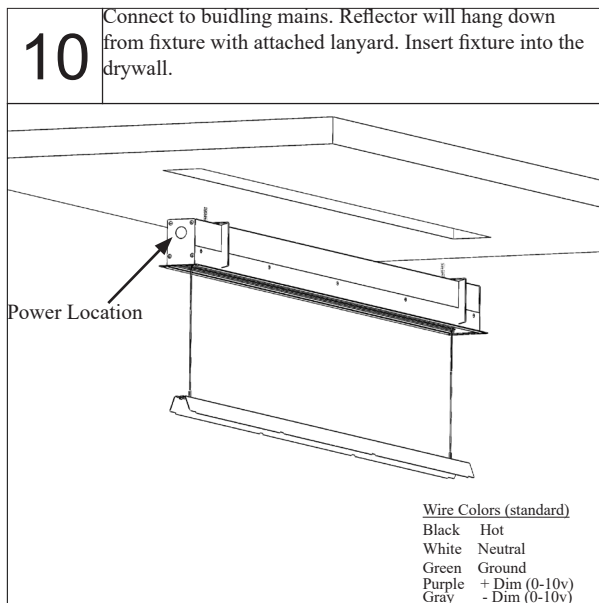
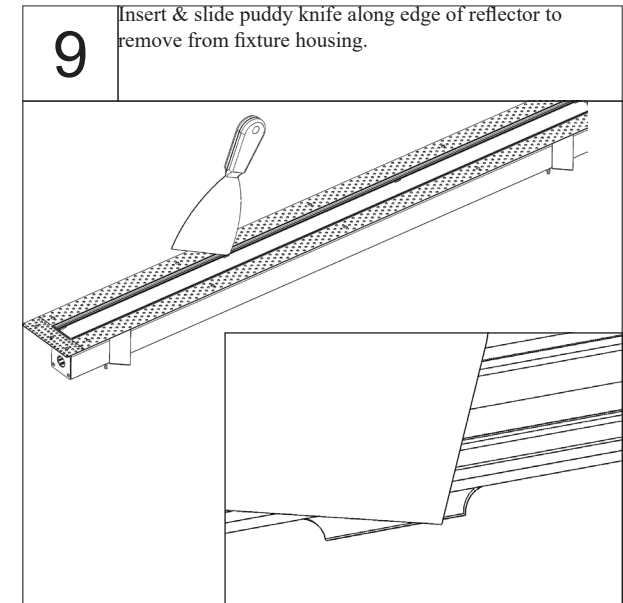
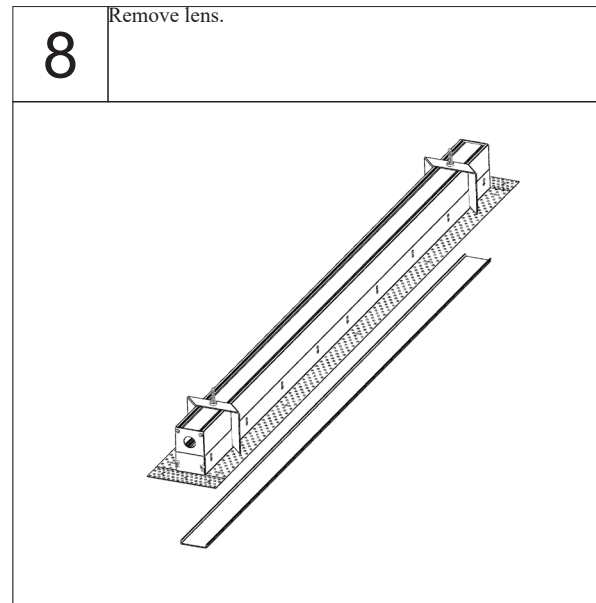
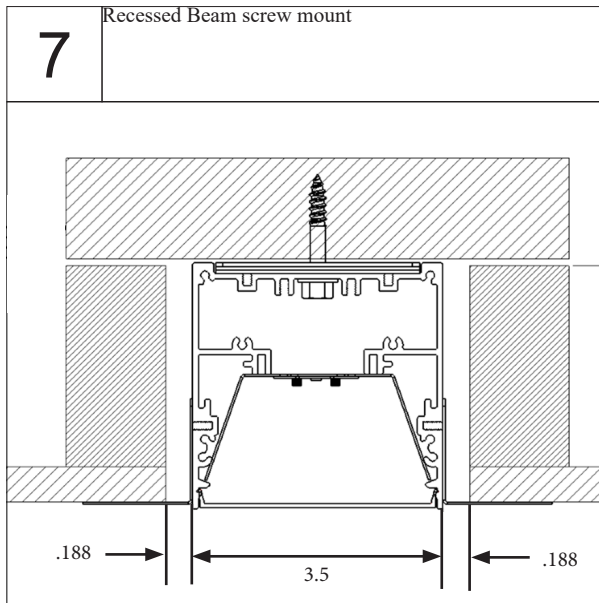
**6** Recessed Beam yoke mount





# INSTALLATION INSTRUCTIONS

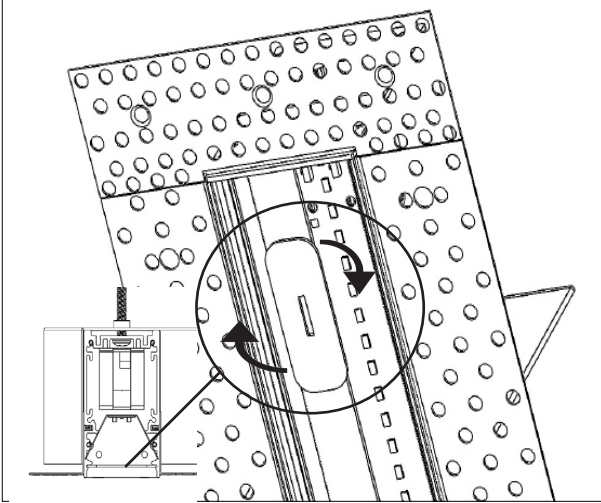
## Individual Drywall w/SPACKLE FLANGE (DWSF)



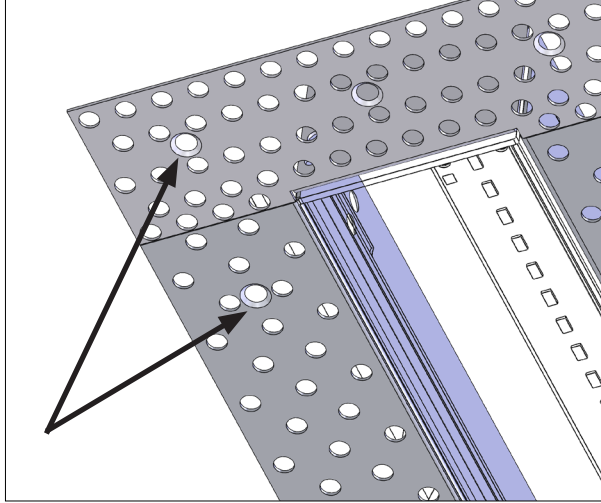
# INSTALLATION INSTRUCTIONS

## Individual Drywall w/SPACKLE FLANGE (DWSF)

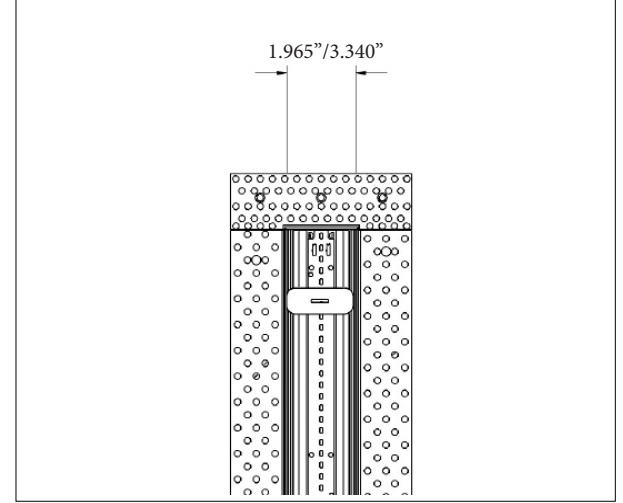
**13** Twist installation spacer in between first ridge spacing to ensure sufficient space. Can be done by hand or with other hardware (flathead screwdriver, etc.)



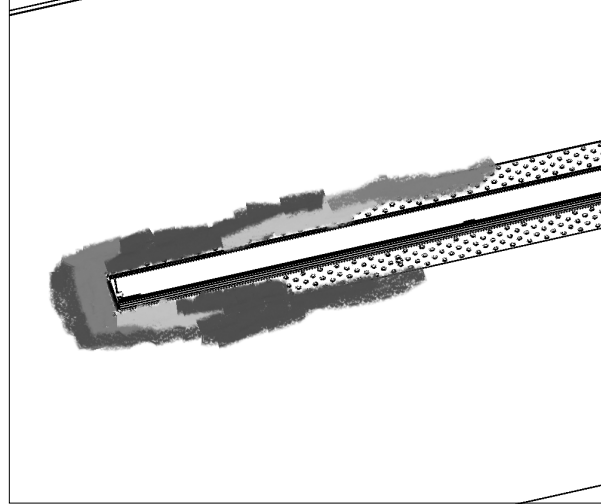
**14** Use drywall screws and securely fasten fixture to structure.



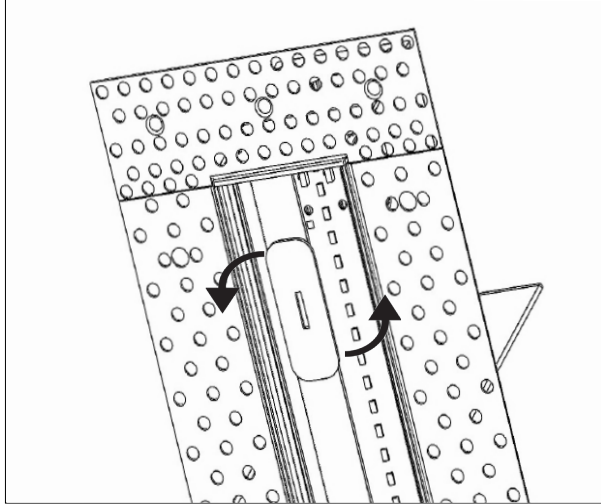
**15** Opening should measure 1.965 inches for Recessed Slim Beam or 3.340 inches for Recessed Beam to ensure lens fits. Adjust drywall screws as needed.



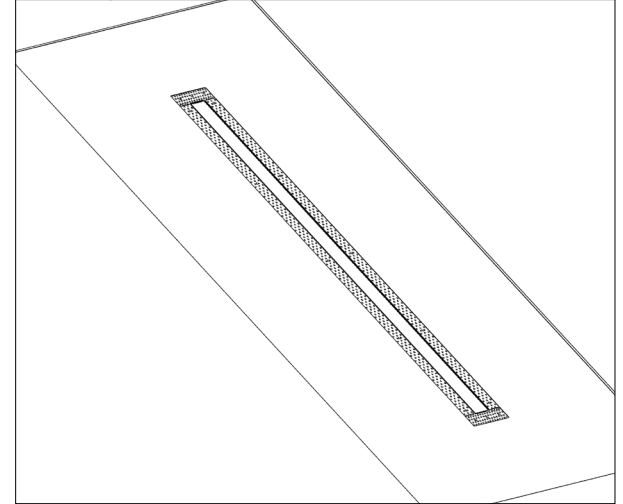
**16** Place masking tape around inner edge of fixture housing to prevent debris from getting in. Plaster and sand over spackle flange to create a smooth finish.



**17** Twist installation spacer out and remove.



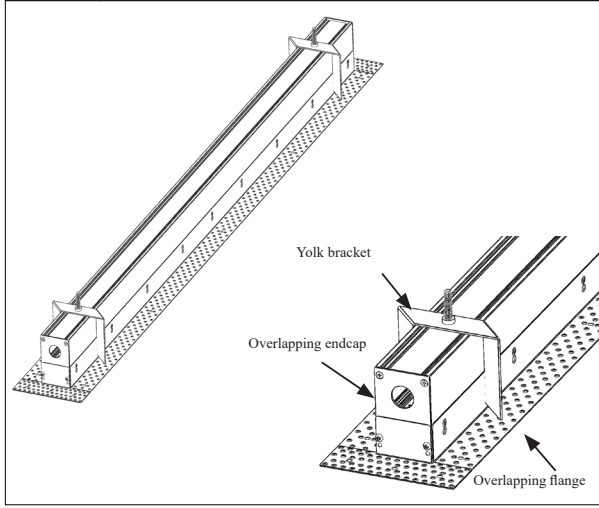
**18** Once mud is totally dry, remove the masking tape. Reinstall lens. Restore power.



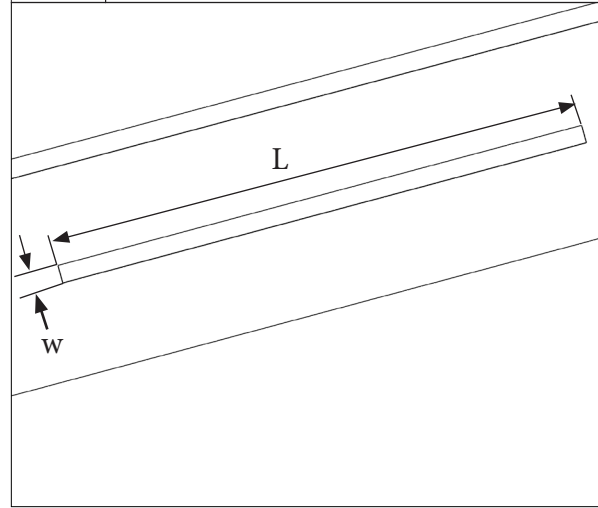
# INSTALLATION INSTRUCTIONS

## Continuous Drywall w/Spackle Flange (DWSF)

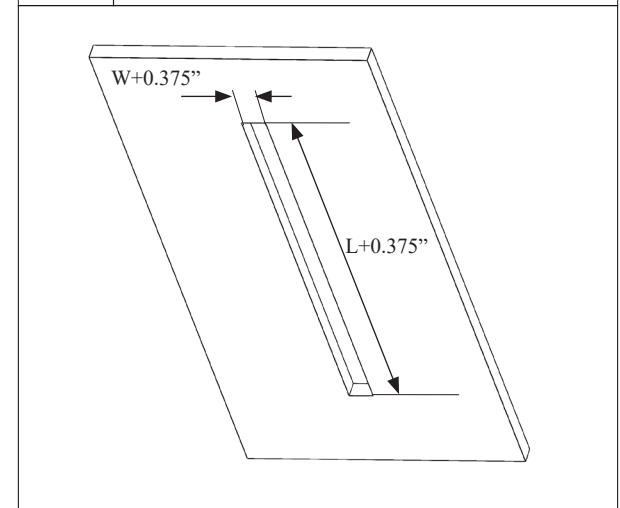
**1** Power must be turned off prior to disconnecting or reconnecting fixture.



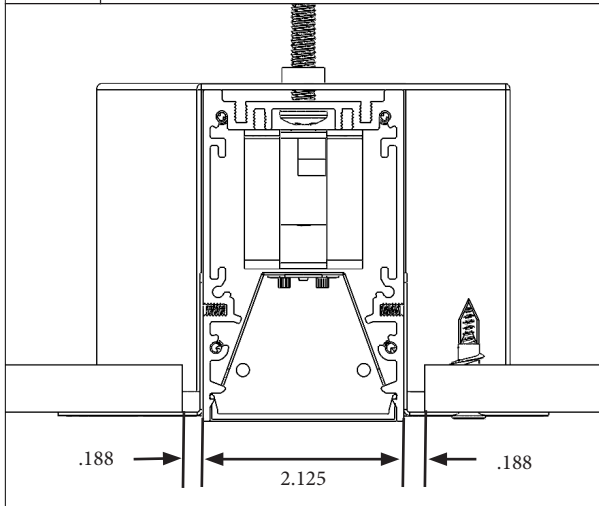
**2** Prepare area where fixture is going to be installed. Finish edges of drywall.



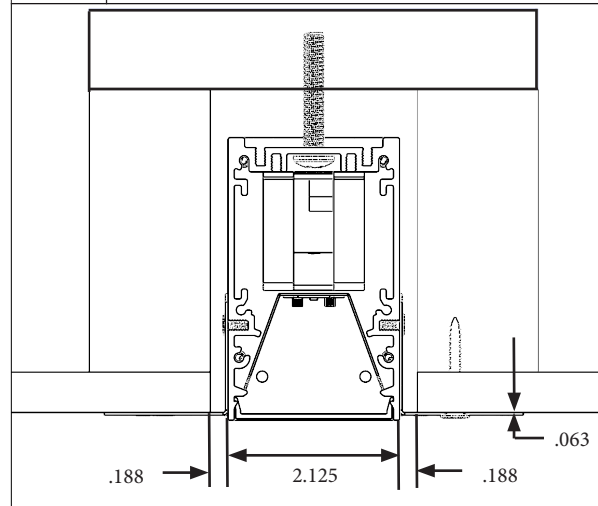
**3** Rough in dimension for Spackle flange.  $L+3/8''$  Where,  $L$  = length of the fixture (from endcap to endcap)  $W+3/8''$  Where,  $W$  = width of the fixture



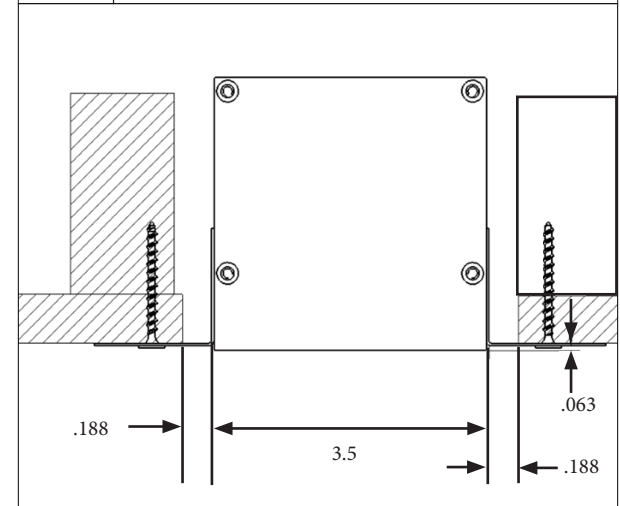
**4** Recessed Slim Beam yoke mount



**5** Recessed Slim Beam screw mount

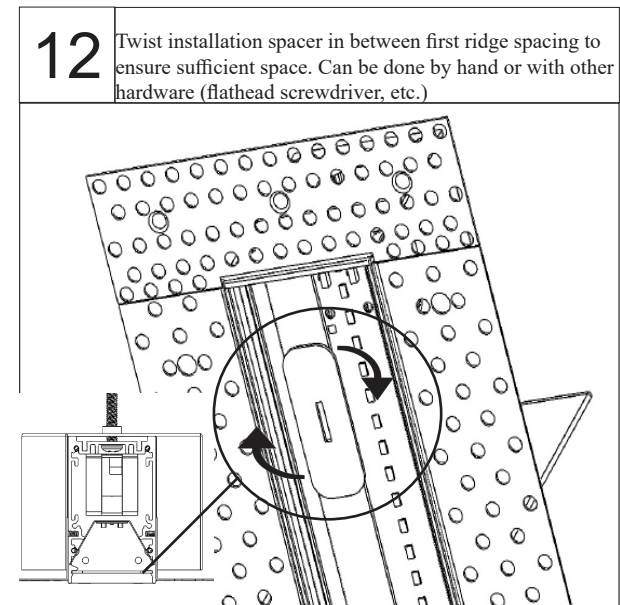
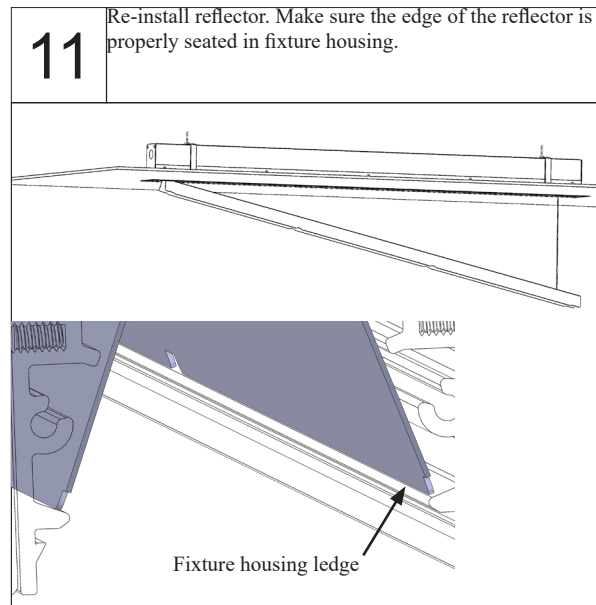
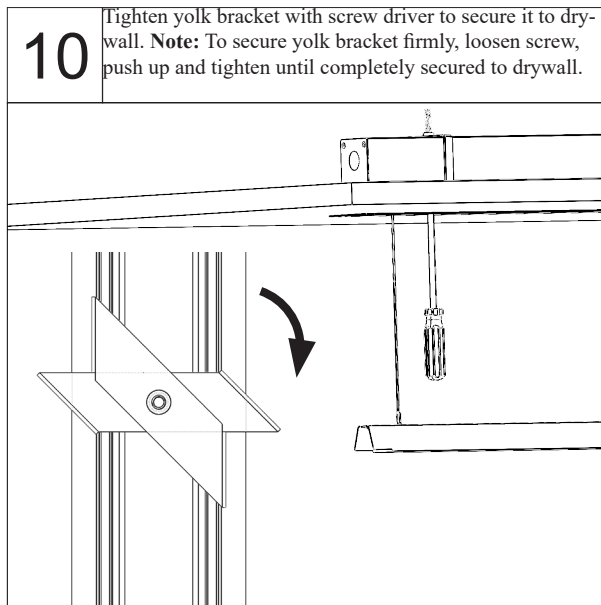
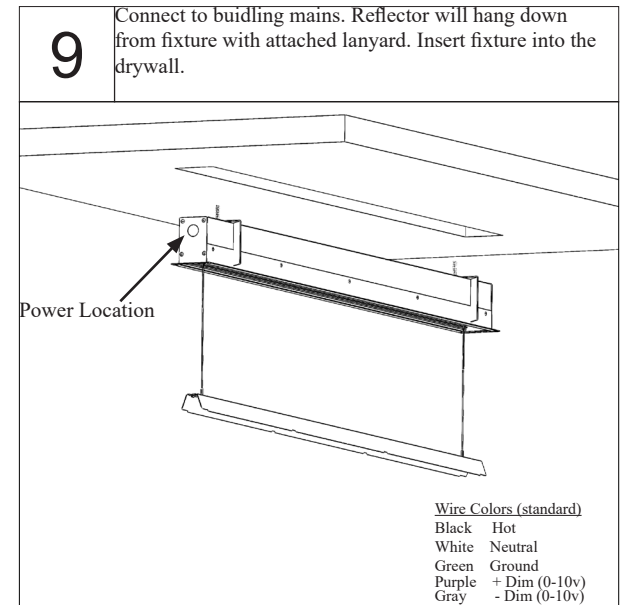
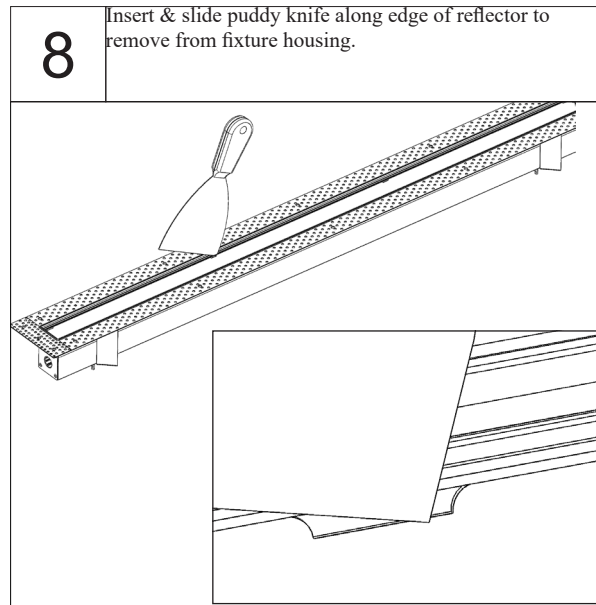
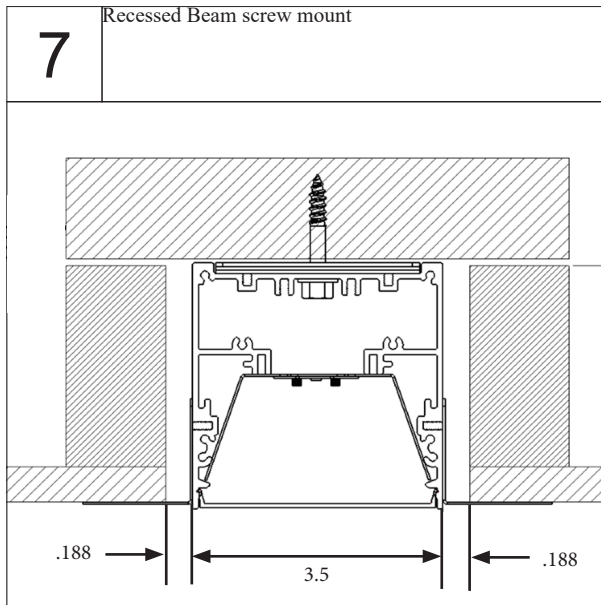


**6** Recessed Beam yoke mount



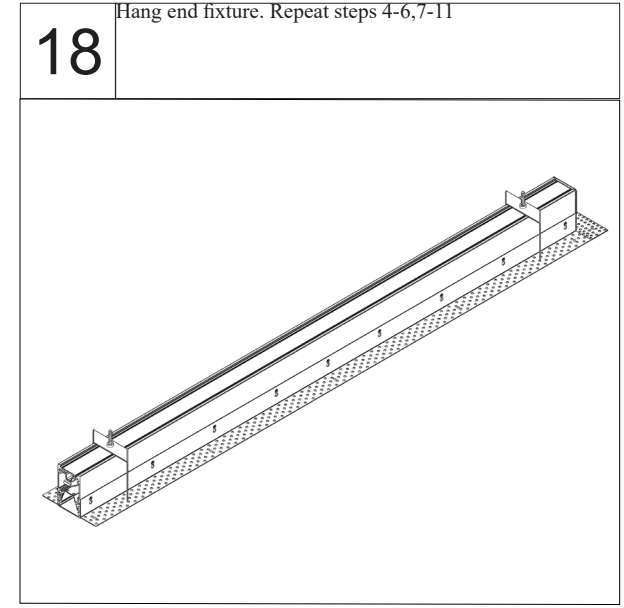
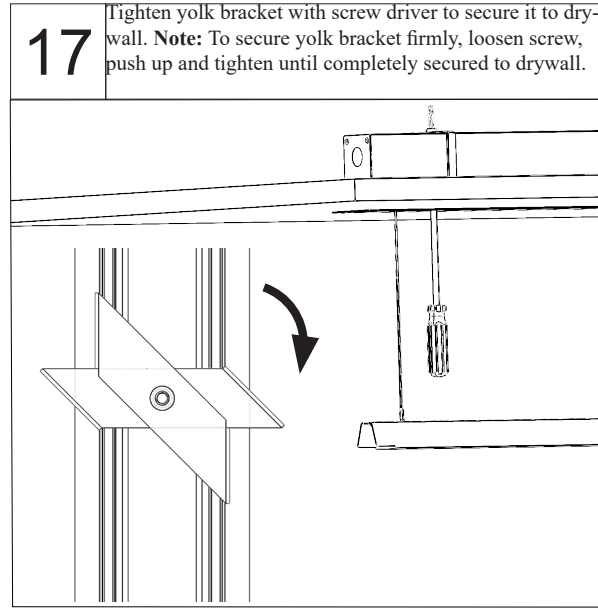
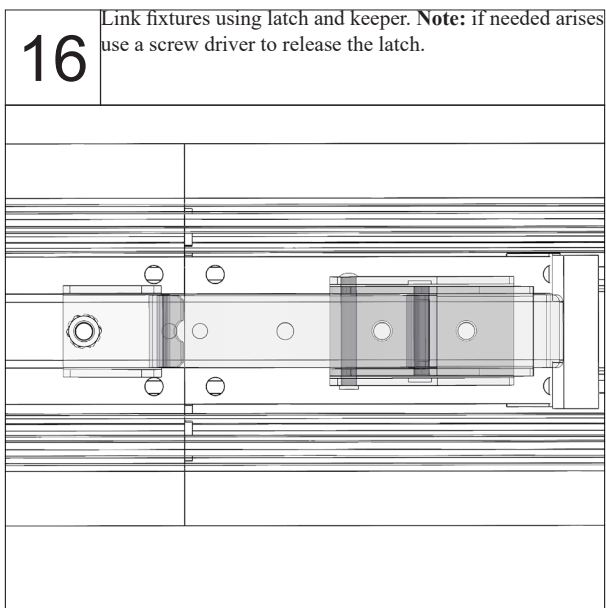
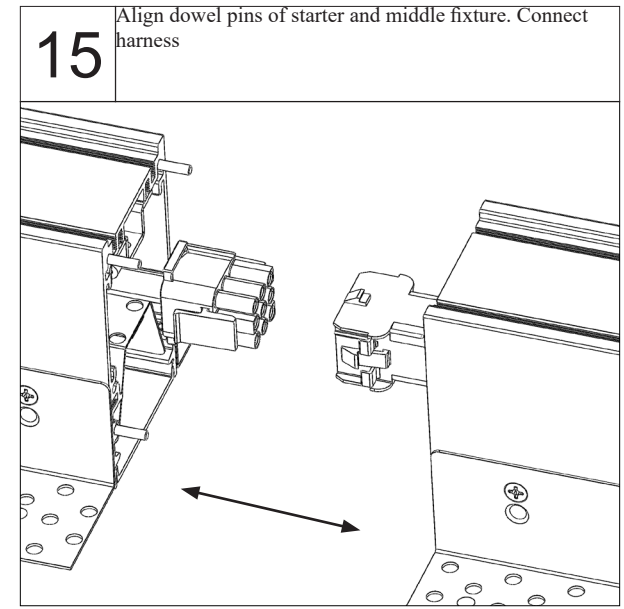
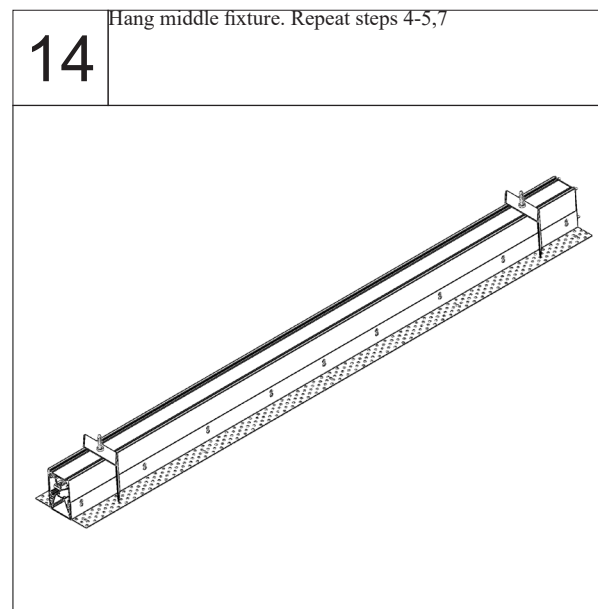
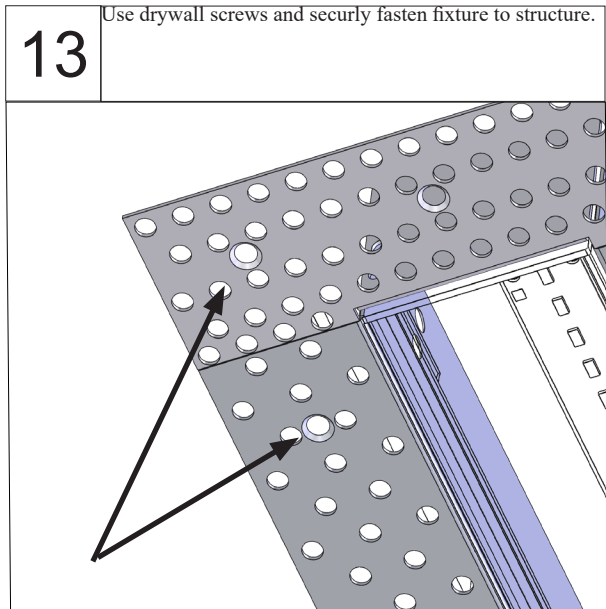
# INSTALLATION INSTRUCTIONS

## Continuous Drywall w/SPACKLE FLANGE (DWSF)



# INSTALLATION INSTRUCTIONS

## Continuous Drywall w/SPACKLE FLANGE (DWSF)

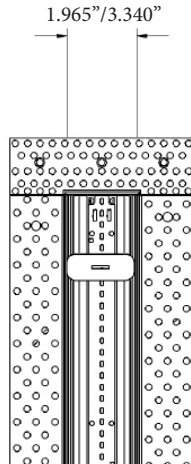


# INSTALLATION INSTRUCTIONS

## Continuous Drywall w/SPACKLE FLANGE (DWSF)

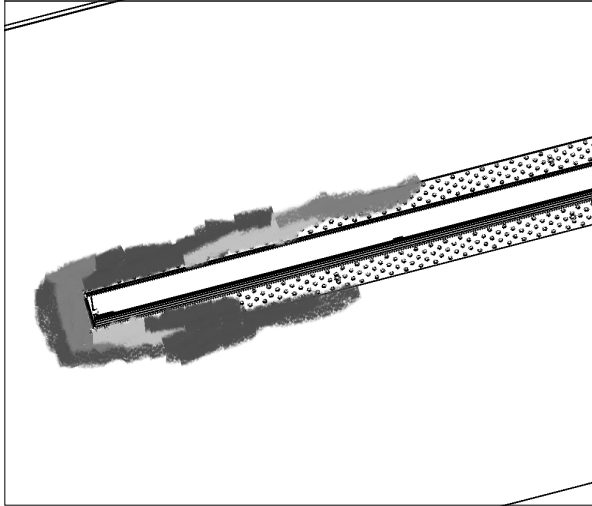
19

Opening should measure 1.965 inches for Recessed Slim Beam or 3.340 inches for Recessed Beam to ensure lens fits. Adjust drywall screws as needed.



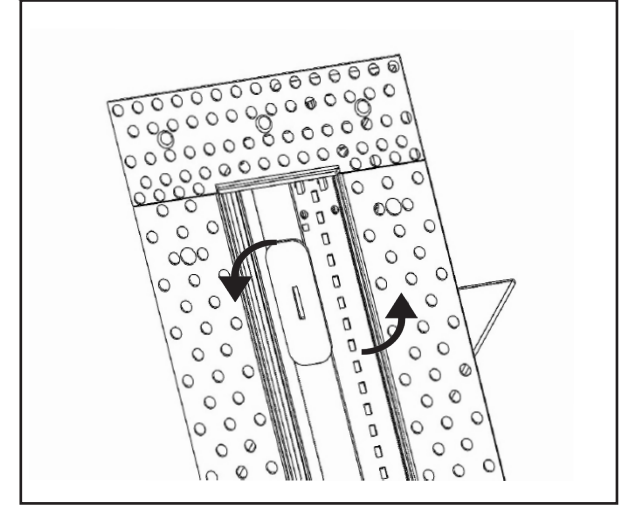
20

Place masking tap around inner edge of fixture housing to prevent debris from getting in. Plaster and sand over spackle flange to create a smooth finish.



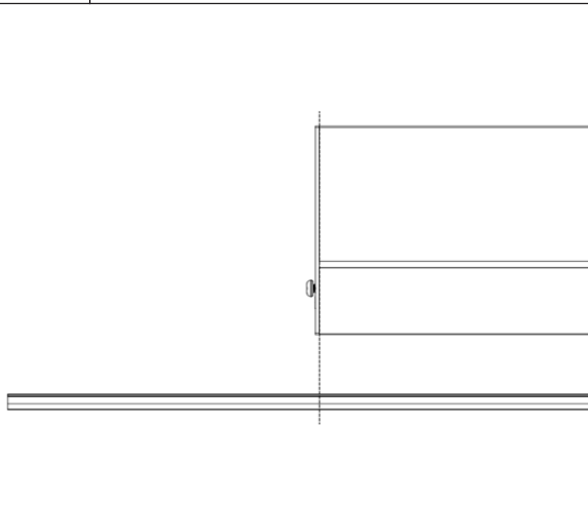
21

Twist installation spacer out and remove.



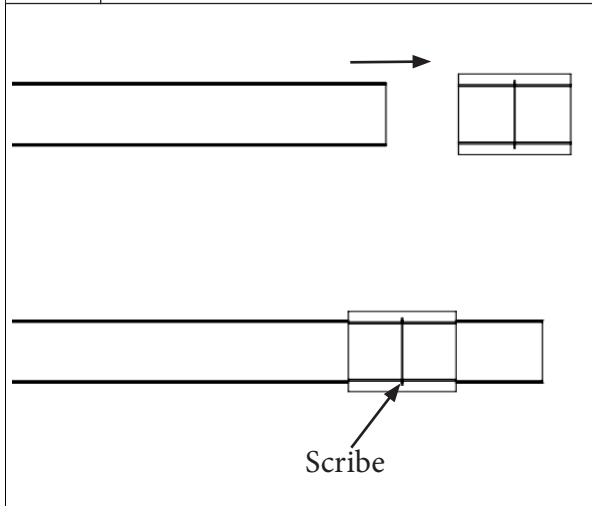
22

Lenses ship with longer lengths than fixtures. Measure and mark both run length edges of the lens to the edge length of the fixture (inside of endcap, see dotted line below).



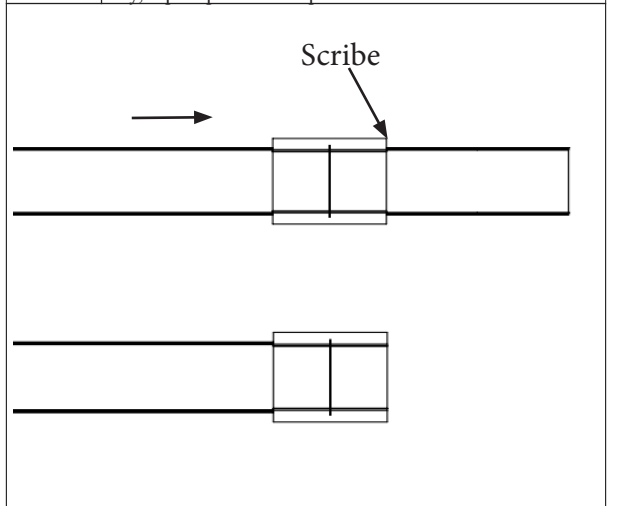
23

Insert lens into provided lens cutting plates. Scribe the lens a minimum of 10 times.

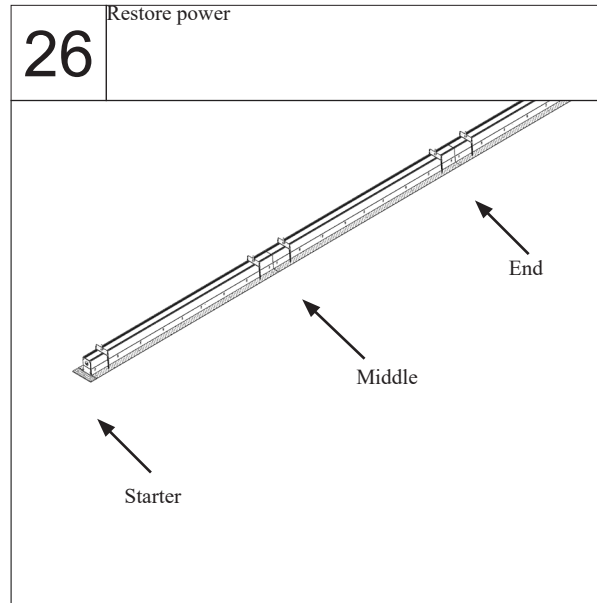
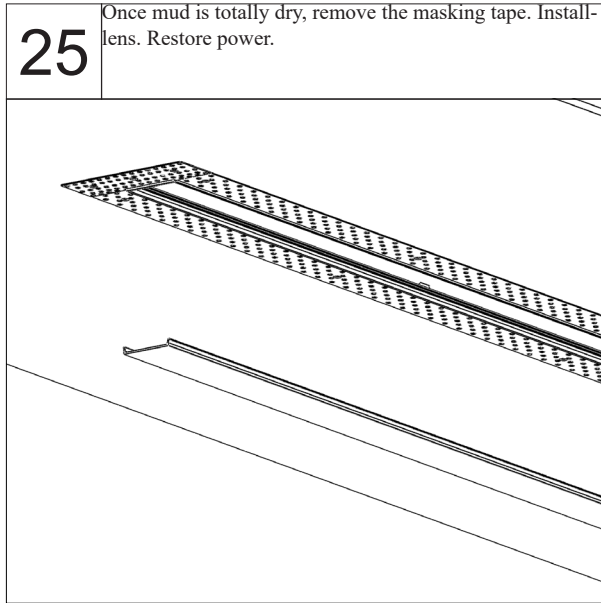


24

Slide lens out so that the scribed line is at the edge of the cutter. Next, bend and snap the lens while holding lens and cutting plate securely. If the lens does not snap relatively easy, repeat previous step.



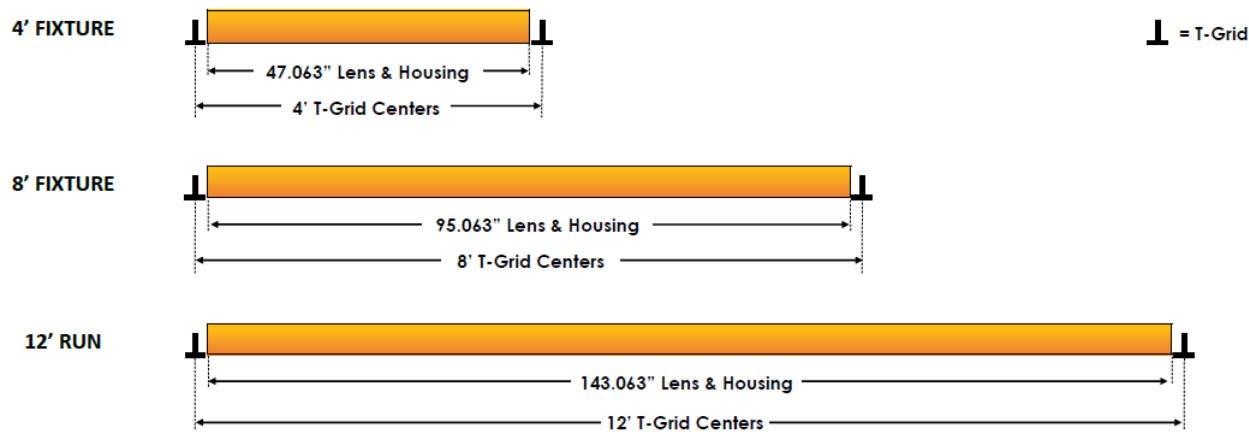
# INSTALLATION INSTRUCTIONS



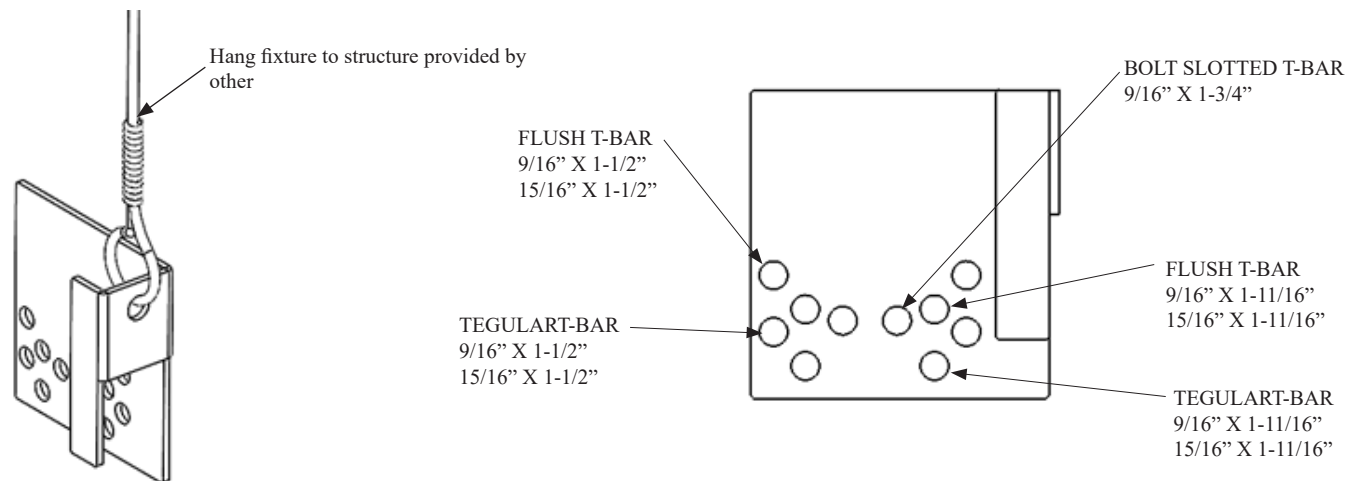
## Individual and Continuous Fixture Configuration T-Grid

The lengths of individual fixtures and run lengths specified in the ordering logic is the distance between the centers of the T-Grids (See Page 4). The actual length of the fixtures and the lens will be shorter from that specified length. In a run, the last fixture compensates for the T-Grid. If a different configuration is needed to meet an aesthetic requirement, please indicate this on your P.O. when placing your order.

Examples of the standard construction of T-Grid configurations are as follows:



## T-Grid Universal Clip



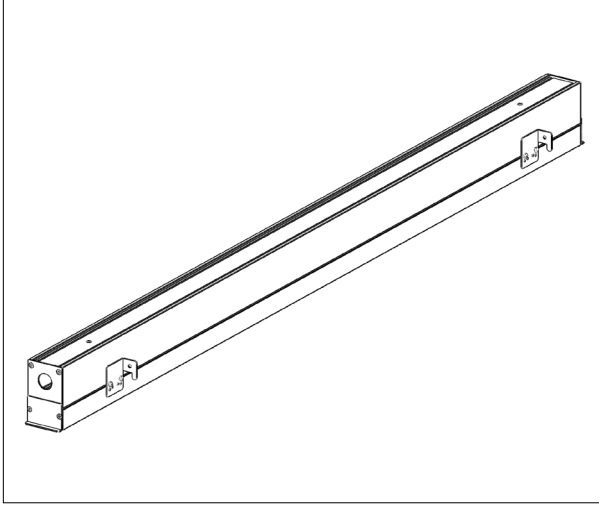
**NOTE:** T-GRID clips ship in a bag with fixtures. These are to be installed. 2'- 4' fixtures get 2 per side. 5' - 8' fixtures get 3 per side.



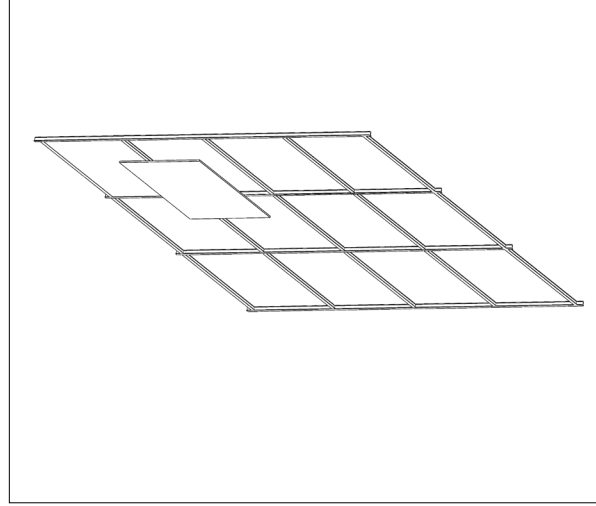
# INSTALLATION INSTRUCTIONS

## Individual T-Grid (TBx)

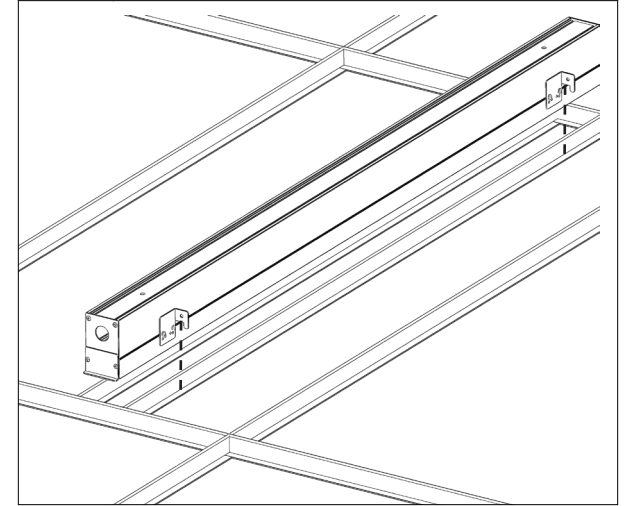
**1** Power must be turned off prior to disconnecting or reconnecting fixture.



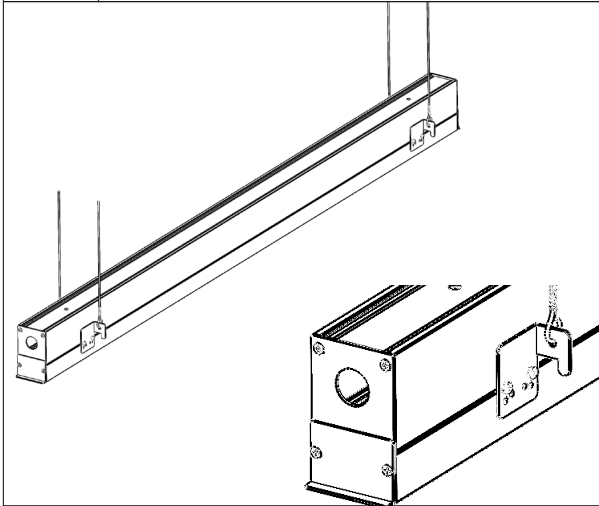
**2** Remove ceiling tiles for easy access during installation.



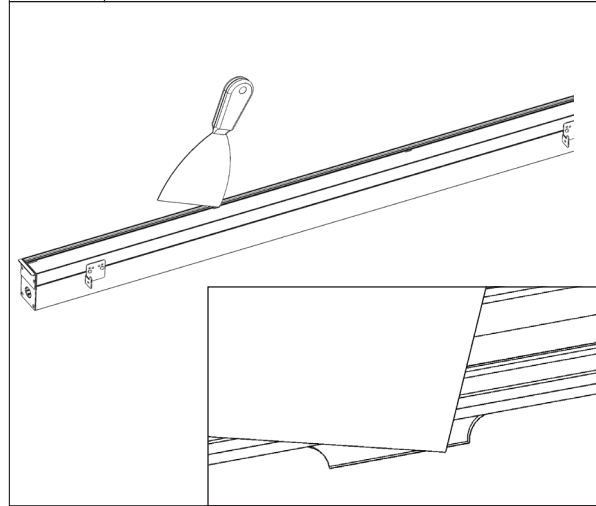
**3** Raise fixture above ceiling tiles and rest along rail of t-grid



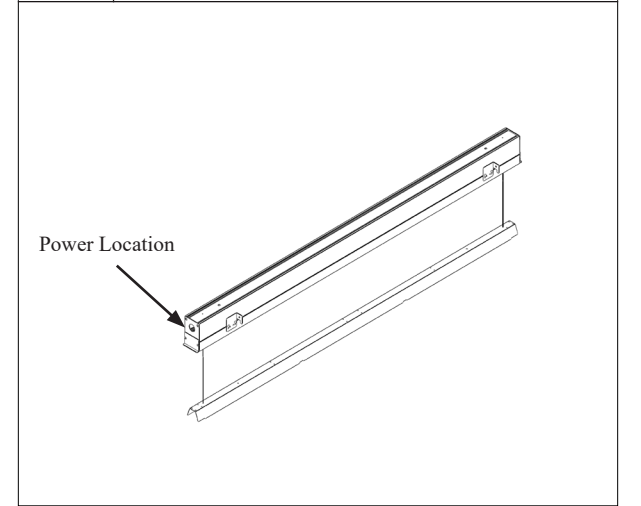
**4** Loop wire through t-grid mt. and securely attach to structure



**5** Insert & slide putty knife along edge of reflector to remove from fixture housing.

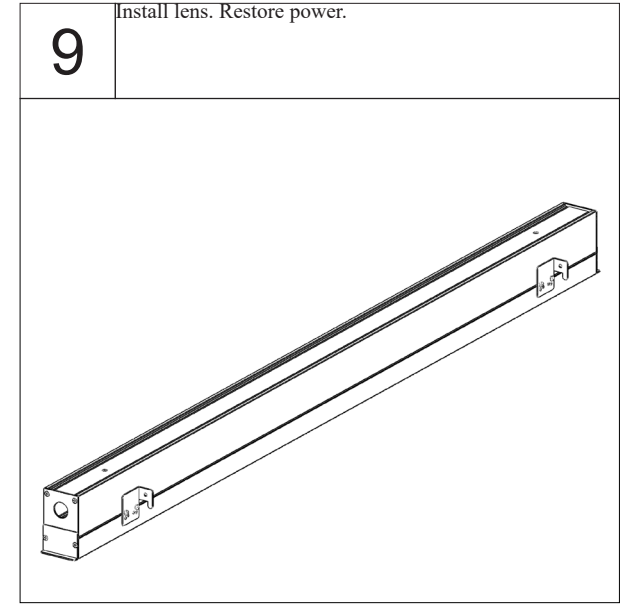
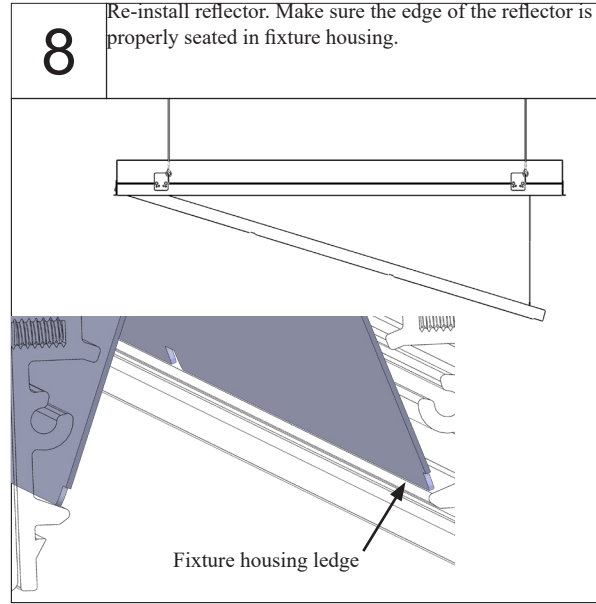
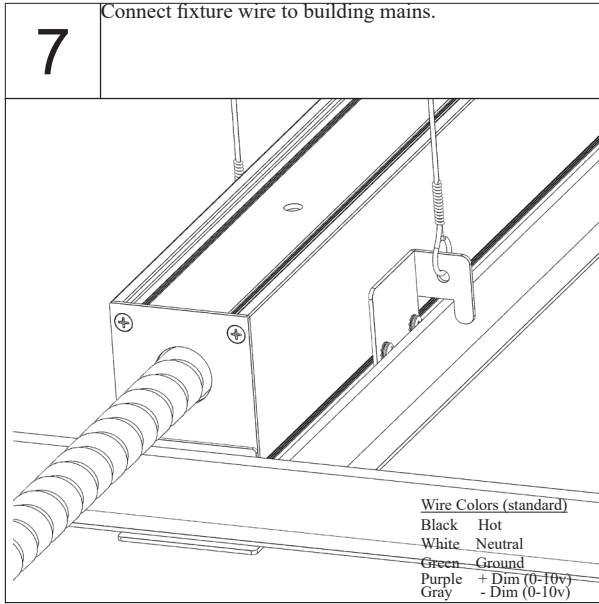


**6** Reflector will hang down from fixture with attached lanyard.



# INSTALLATION INSTRUCTIONS

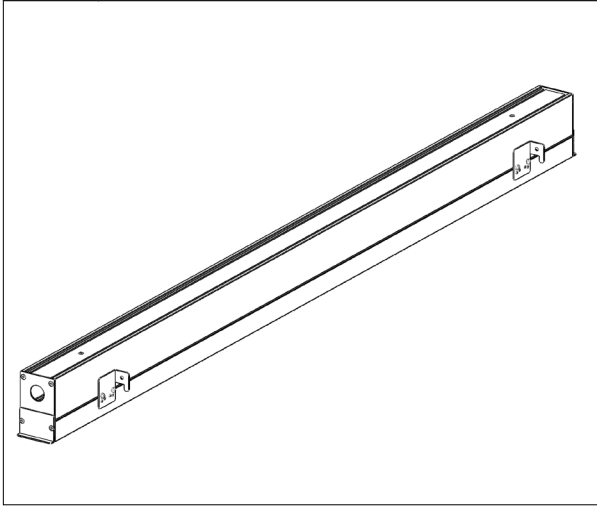
## Individual T-Grid (TBx)



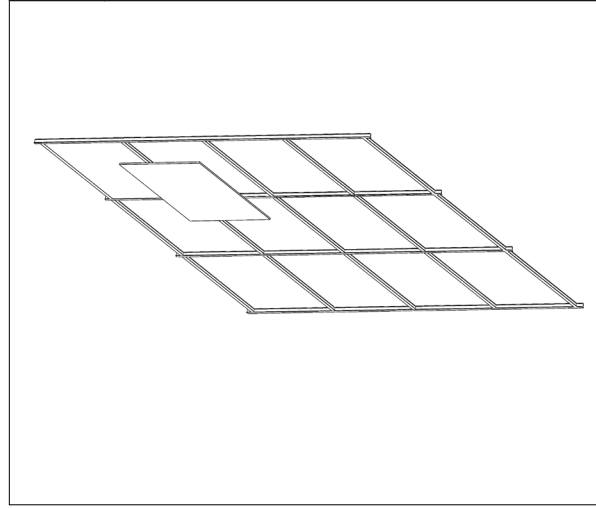
# INSTALLATION INSTRUCTIONS

## Continuous T-Grid (TBx)

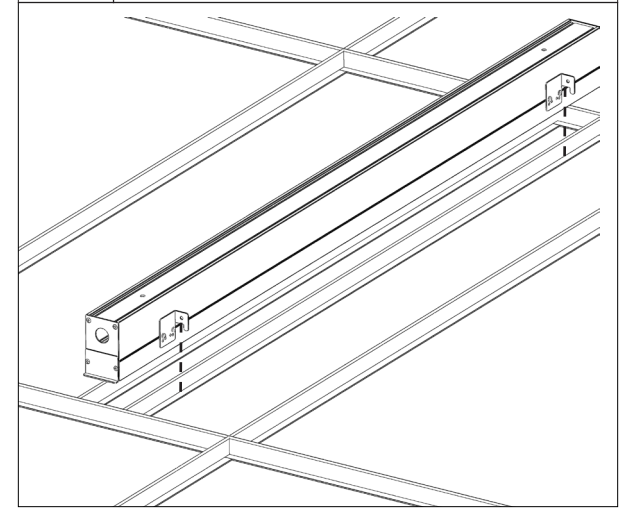
**1** Power must be turned off prior to disconnecting or reconnecting fixture.



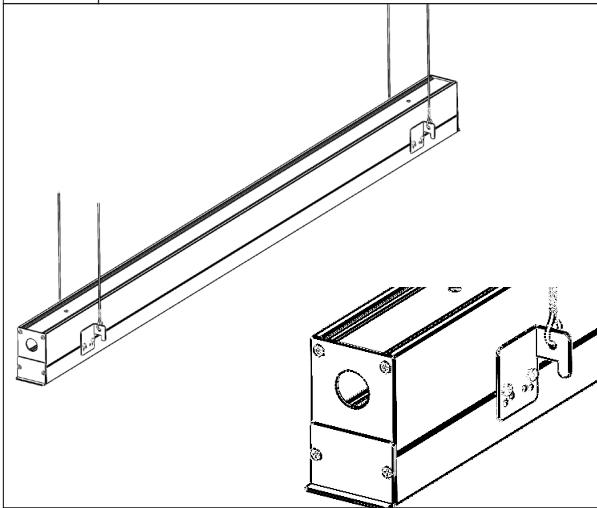
**2** Remove ceiling tiles where the fixture will be installed as well as the adjacent tiles for easy access during installation.



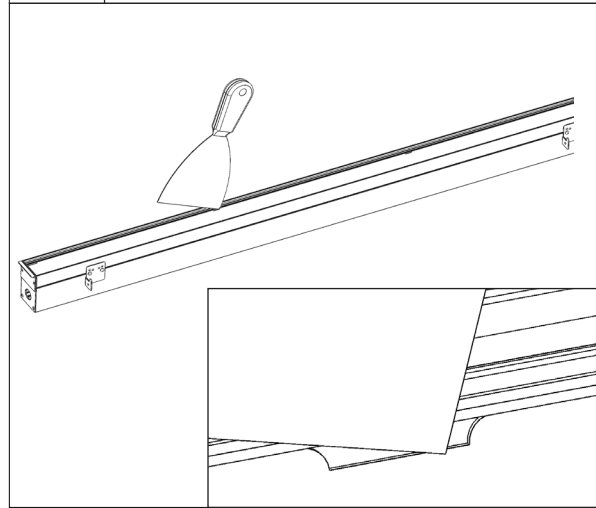
**3** Raise fixture above ceiling and lower the fixture onto T-bars



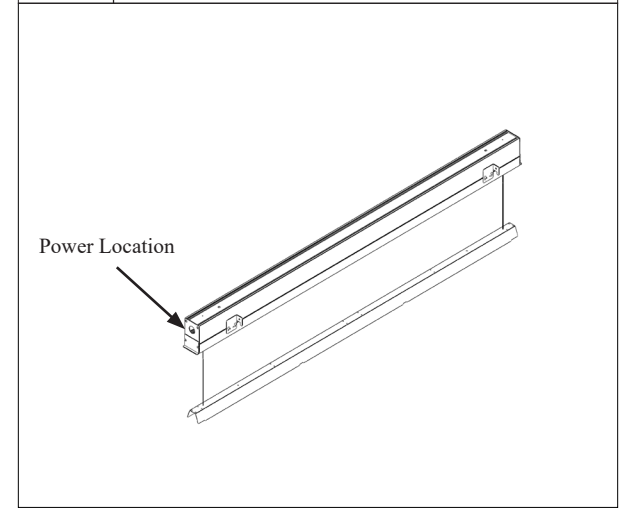
**4** Loop wire through t-grid mt. and securely attach to structure



**5** Insert & slide putty knife along edge of reflector to remove from fixture housing.



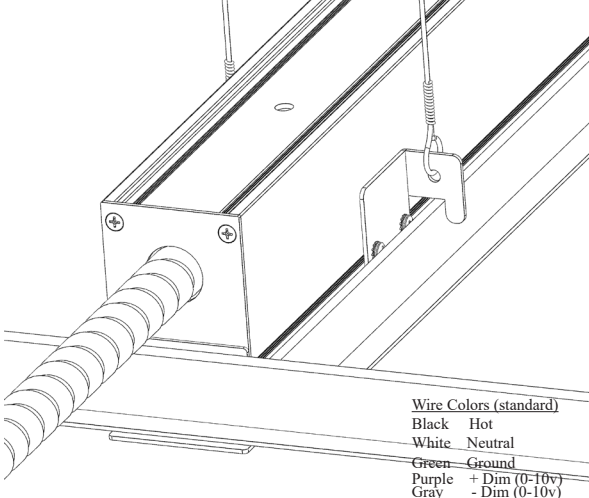
**6** Reflector will hang down from fixture with attached lanyard.



# INSTALLATION INSTRUCTIONS

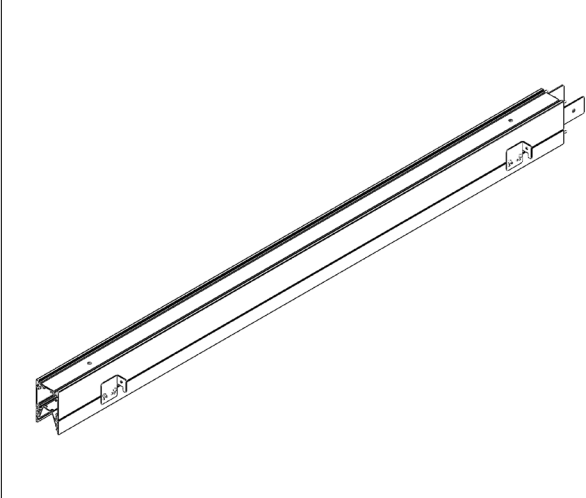
## Continuous T-Grid (TBx)

**7** Connect fixture wire to building mains.

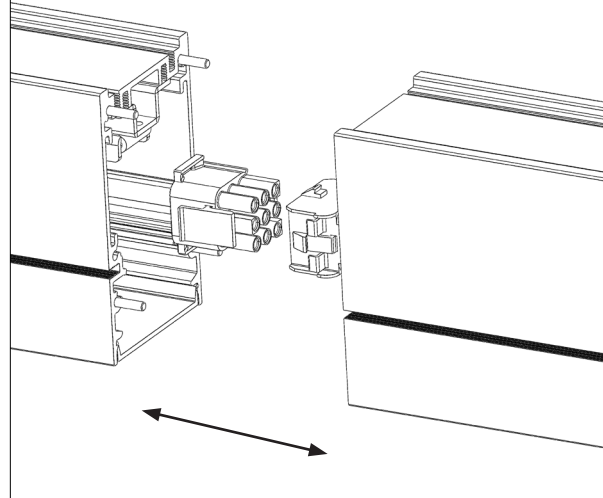


Wire Colors (standard)  
 Black Hot  
 White Neutral  
 Green Ground  
 Purple + Dim (0-10v)  
 Gray - Dim (0-10v)

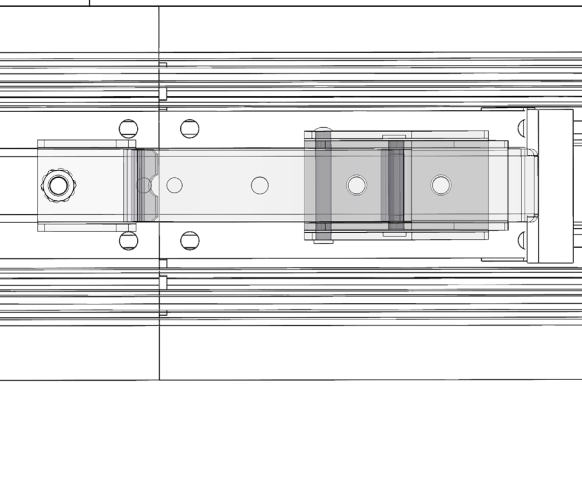
**8** Hang middle fixture. Raise fixture above ceiling and lower the fixture onto T-bars. Repeat steps 3-4&6-7



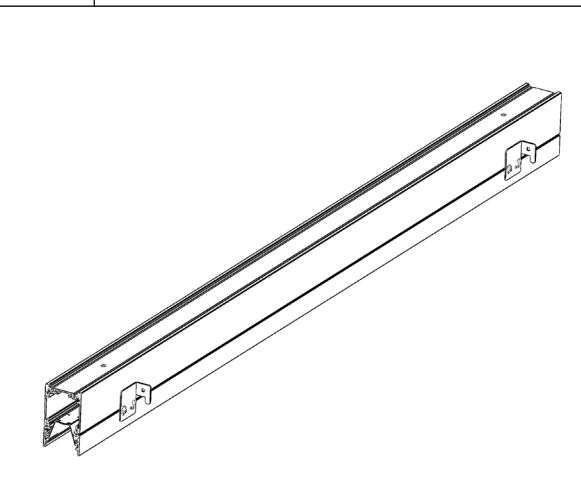
**9** Align dowel pins of starter and middle fixture. Connect harness



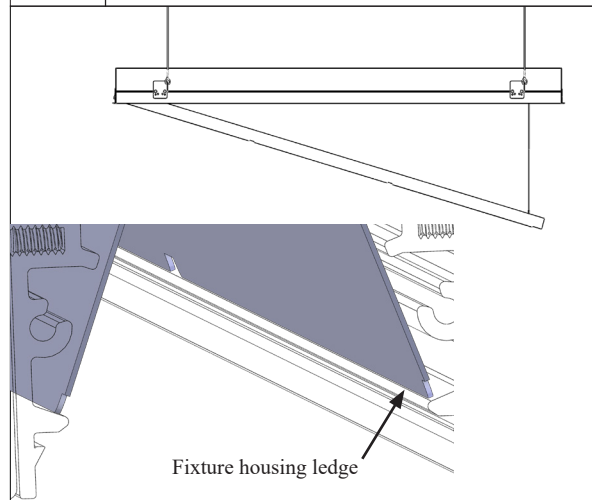
**10** Link fixtures using latch and keeper. **Note:** if needed arises use a screw driver to release the latch.



**11** Hang end fixture. Raise fixture above ceiling and lower the fixture onto T-bars. Repeat steps 3-4, 6-7, & 9-10



**12** Re-install reflector. Make sure the edge of the reflector is properly seated in fixture housing.



Fixture housing ledge

# INSTALLATION INSTRUCTIONS

## Continuous T-Grid (TBx)

**13** Lenses ship with longer lengths than fixtures. Measure and mark both run length edges of the lens to the edge length of the fixture (inside of endcap, see dotted line below).

**14** Insert lens into provided lens cutting plates. Scribe the lens a minimum of 10 times.

**15** Slide lens out so that the scribed line is at the edge of the cutter. Next, bend and snap the lens while holding lens and cutting plate securely. If the lens does not snap relatively easy, repeat previous step.

**16** Install continuous lens.

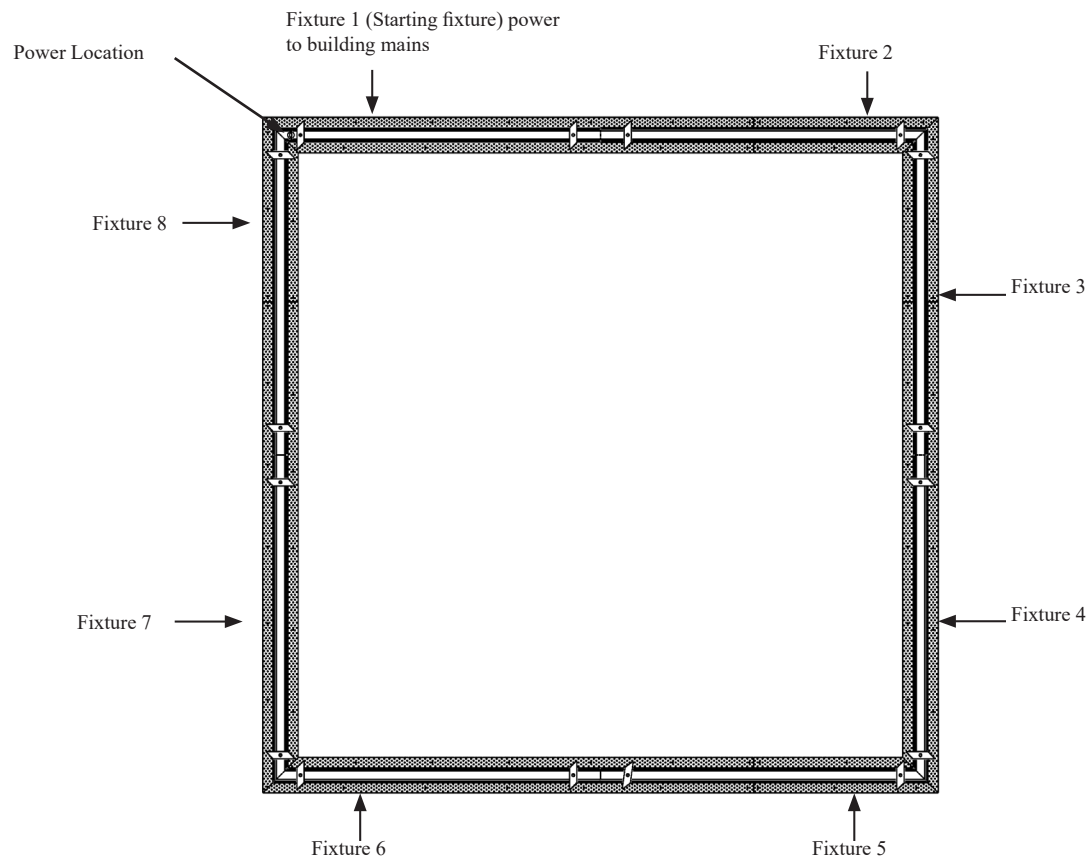
**17** Restore power.

# INSTALLATION INSTRUCTIONS

## Shape Configuration Spackle Flange Rectangle (DWSF) Sq or Rect LIGHTING AMERICA

Wire Colors (standard)

Black	Hot
White	Neutral
Green	Ground
Purple	+ Dim (0-10v)
Gray	- Dim (0-10v)



**Step 1. Hang fixture 1**

**Step 2. Hang fixture 2.** Connect fixtures 1&2.

**Step 3. Hang fixture 3.** Connect fixtures 3&2.

**Step 4. Hang fixture 4.** Connect fixtures 4&3.

**Step 5. Hang fixture 5.** Connect fixtures 5&4.

**Step 6. Hang fixture 6.** Connect fixtures 6&5.

**Step 7. Hang fixture 7.** Connect fixtures 7&6.

**Step 8. Hang fixture 8.** Connect fixtures 8,7&1.

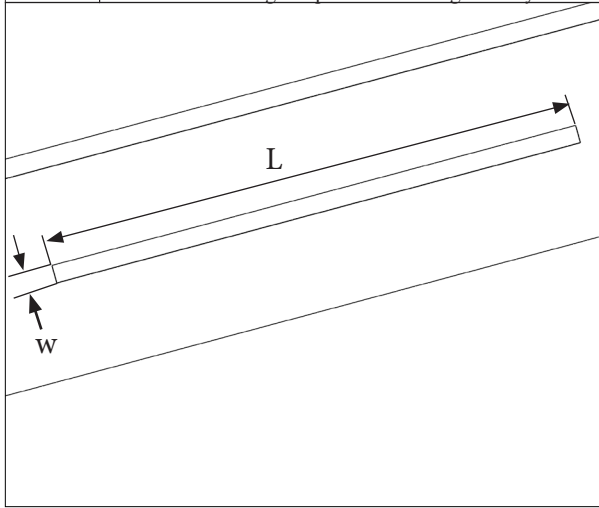
**Step 13. Snap in continuous lens.**

**Note:** Latch and kepper are only on liner portion of shapes.

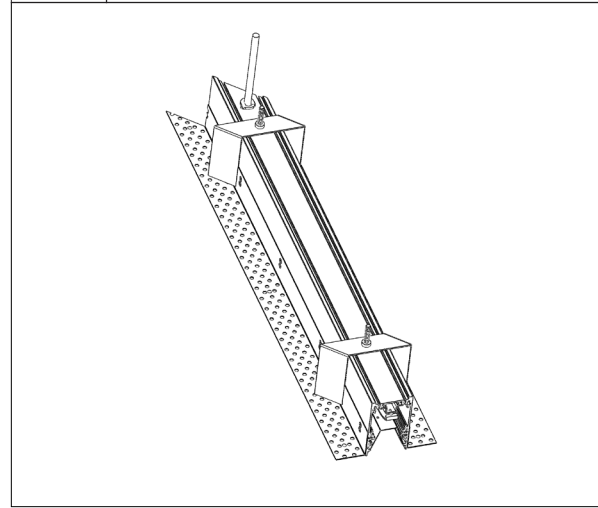
# INSTALLATION INSTRUCTIONS

## Shape Configuration Spackle Flange (DWSF) Sq or Rect

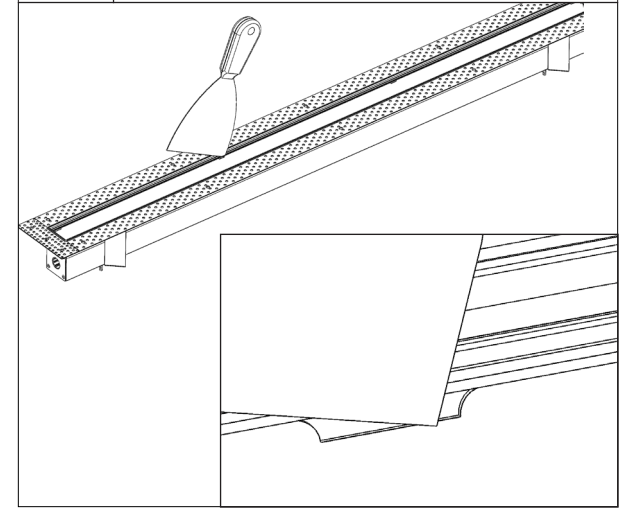
**1** Power must be turned off prior to disconnecting or reconnecting fixture. Prepare area where fixture is going to be installed. Cut hole in drywall according to the dimensions in the client drawings. Tape and finish edges of drywall.



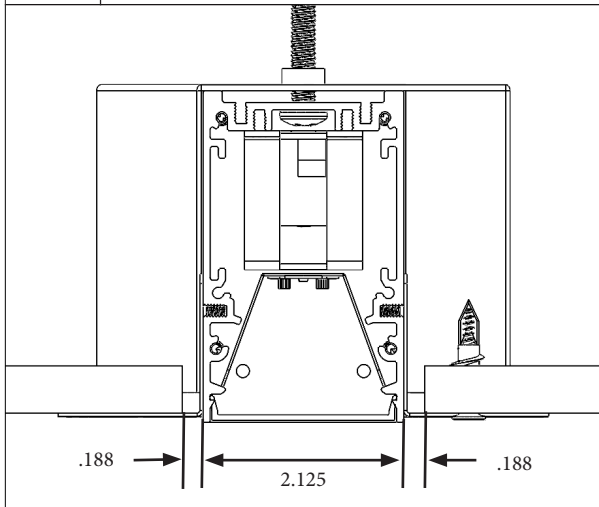
**2** Hang fixture 1.



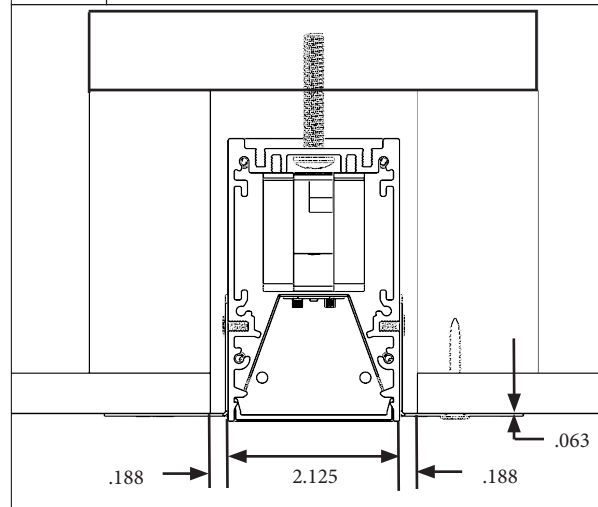
**3** Insert & slide putty knife along edge of reflector to remove from fixture housing.



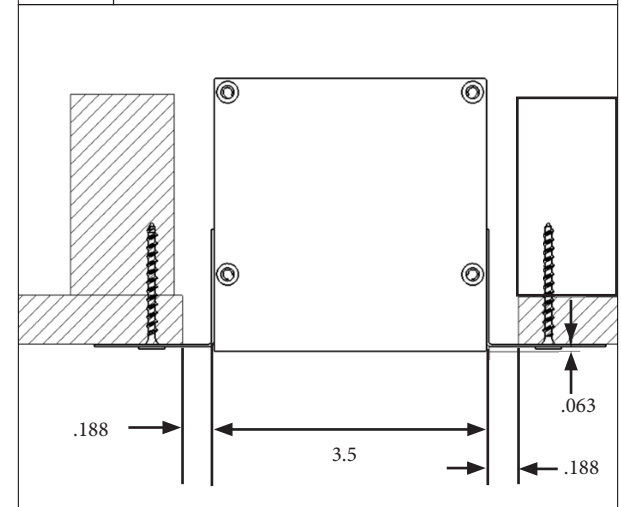
**4** Recessed Slim Beam yoke mount



**5** Recessed Slim Beam screw mount

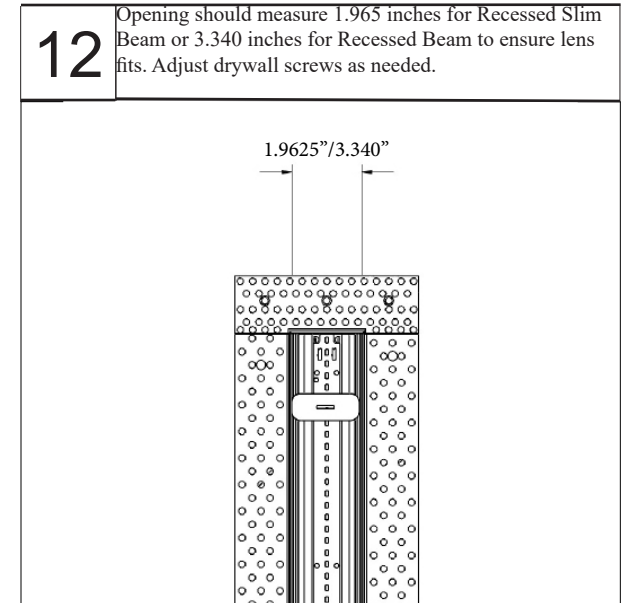
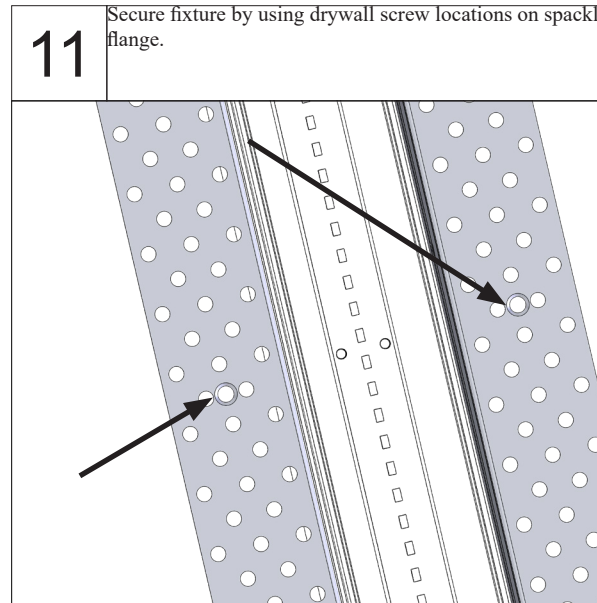
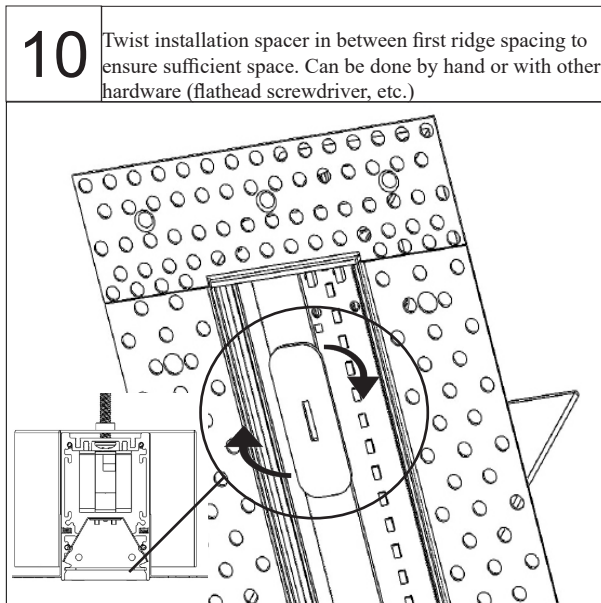
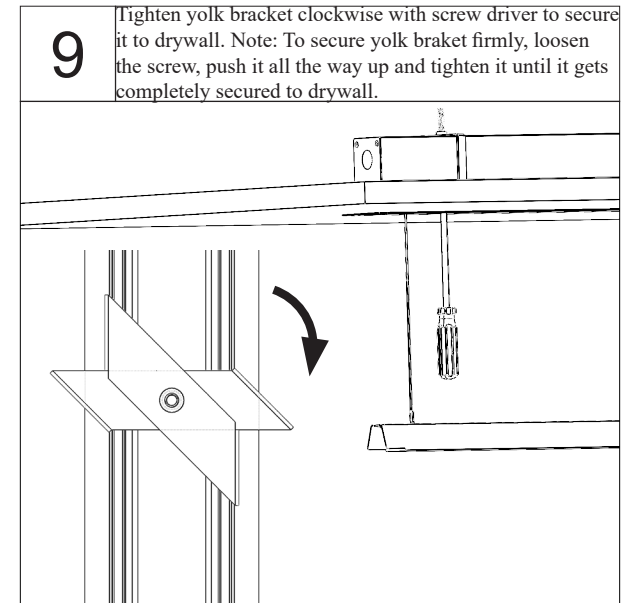
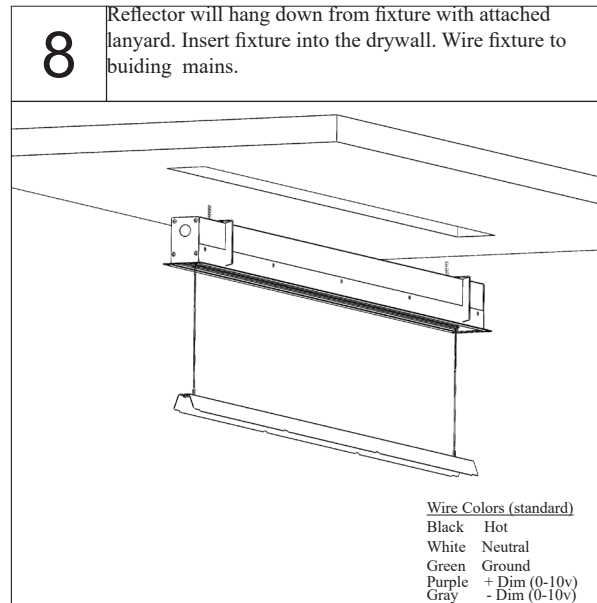
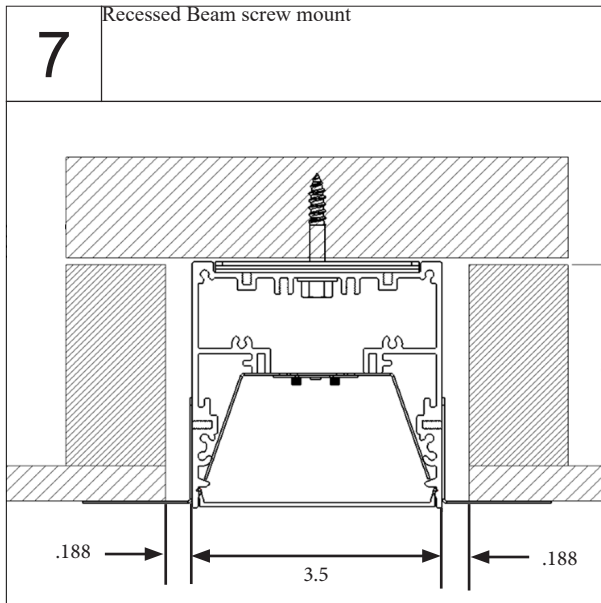


**6** Recessed Beam yoke mount



# INSTALLATION INSTRUCTIONS

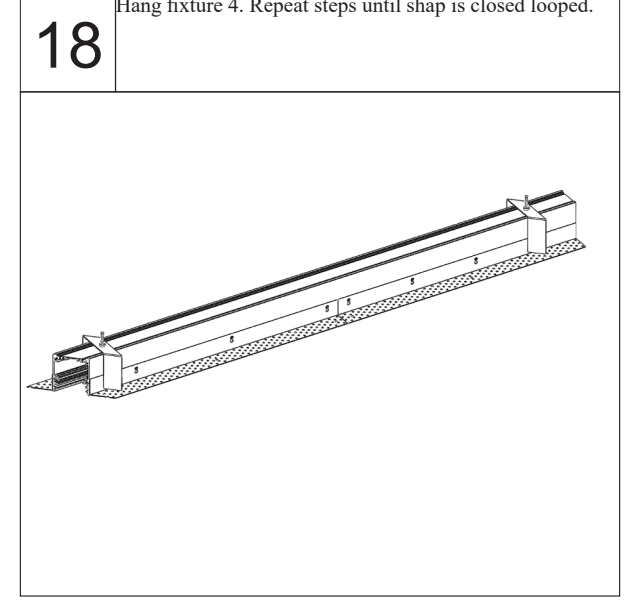
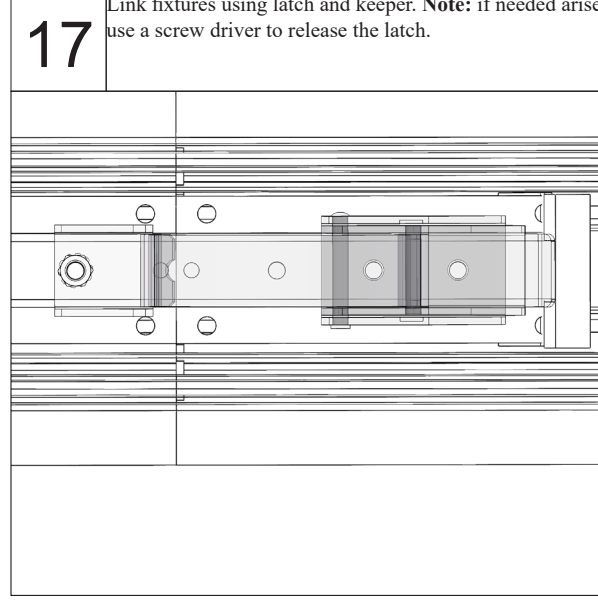
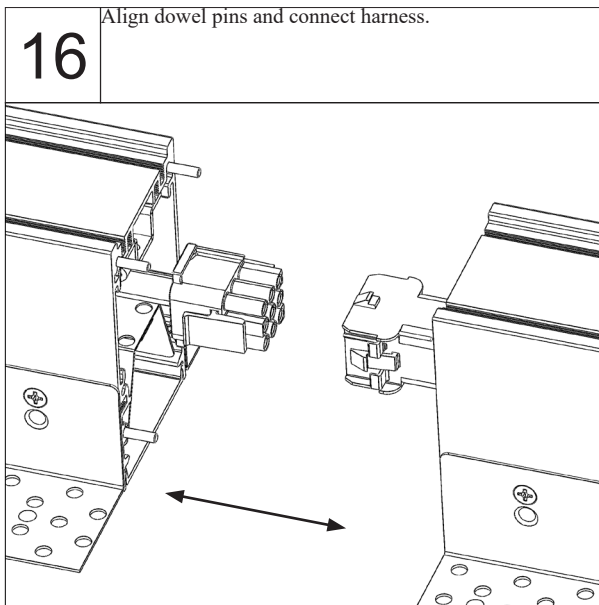
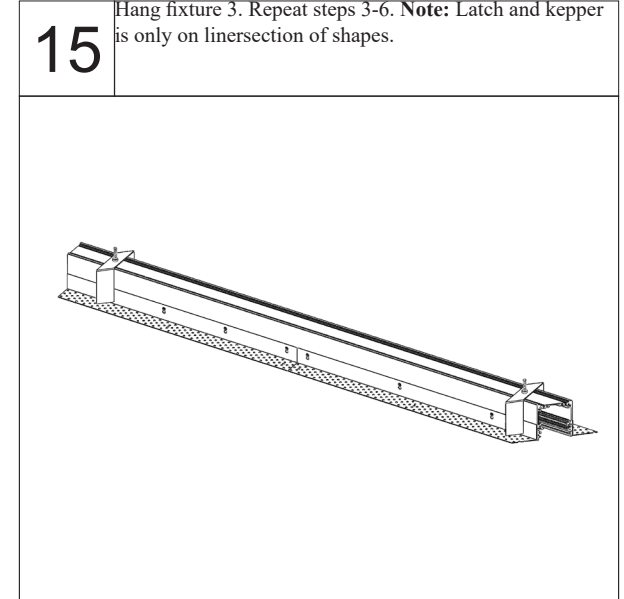
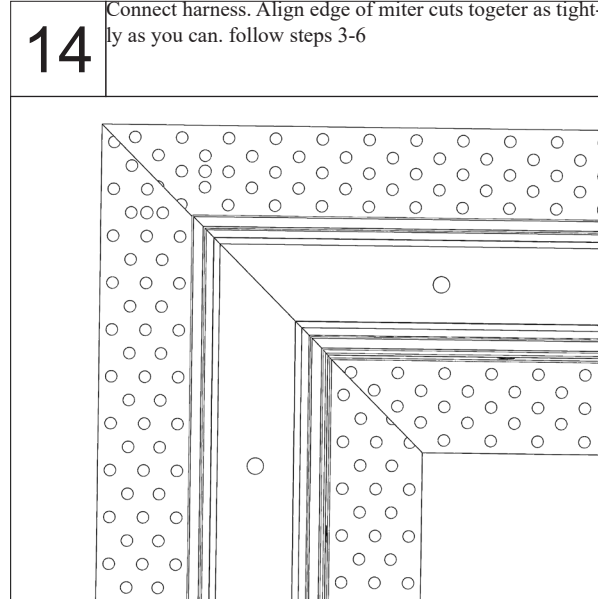
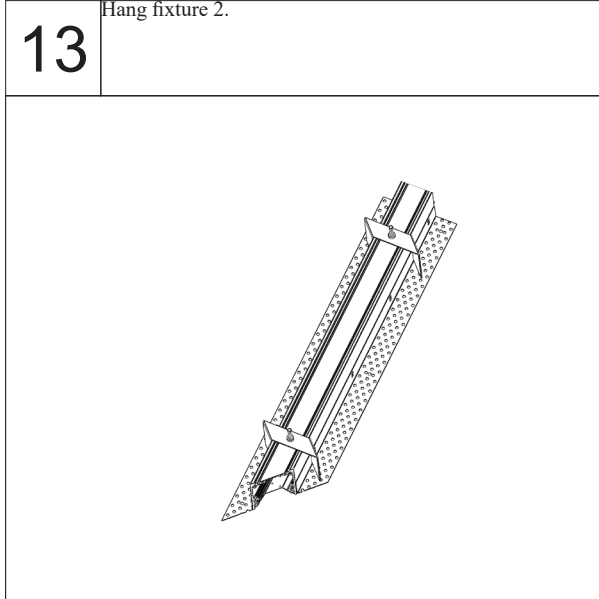
## Shape Configuration Spackle Flange (DWSF) Sq or Rect





# INSTALLATION INSTRUCTIONS

## Shape Configuration Spackle Flange (DWSF) Sq or Rect

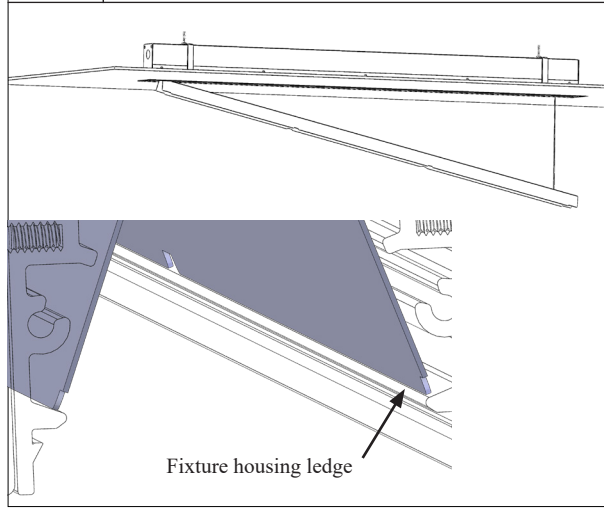


# INSTALLATION INSTRUCTIONS

## Shape Configuration Spackle Flange (DWSF) Sq or Rect

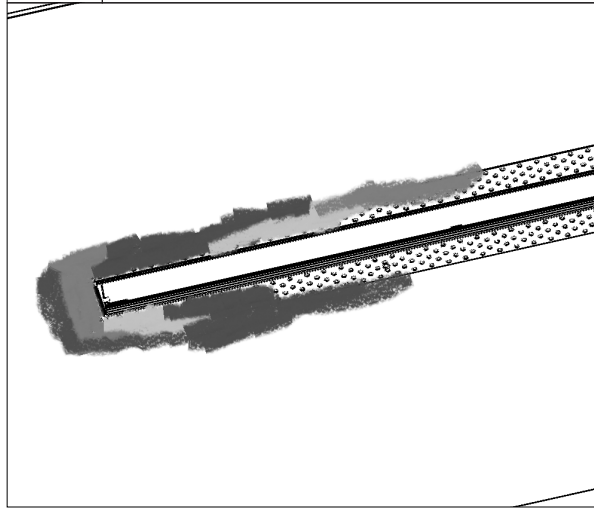
19

Reinstall reflector. Make sure the edge of the reflector is sitting on the feature of the extrusion.



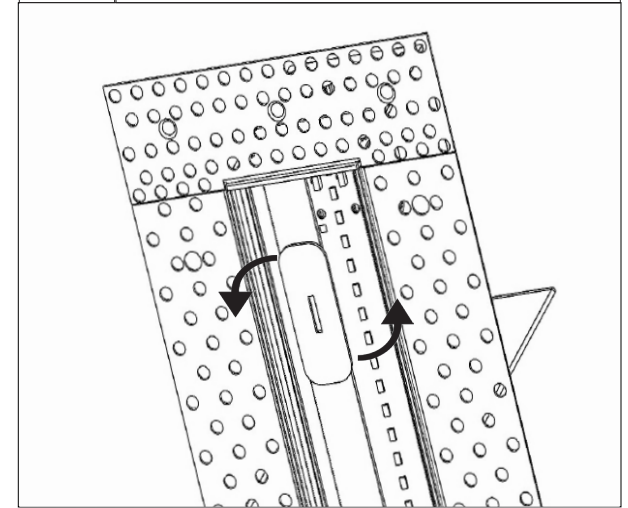
20

Place masking tap around inner edge of fixture housing to prevent debris from getting in. Plaster and sand over spackle flange to create a smooth finish.



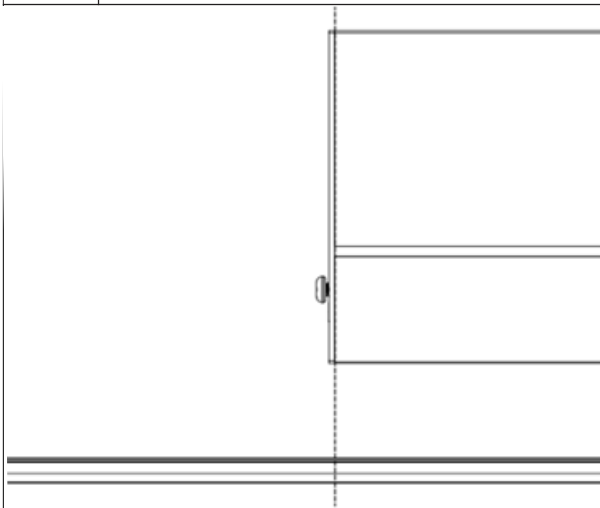
21

Twist installation spacer out and remove.



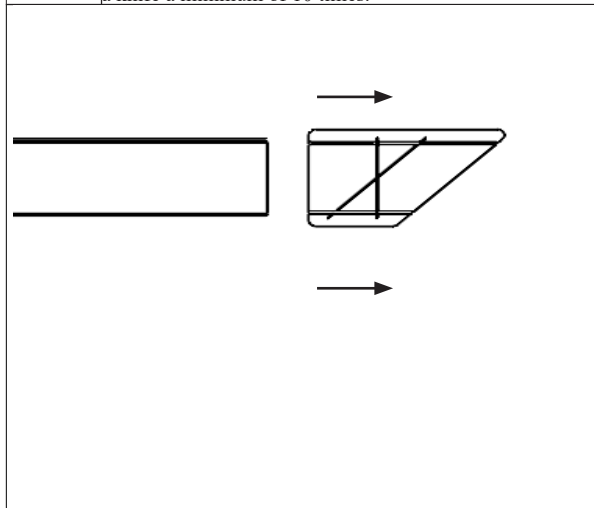
22

Lenses ship with longer lengths than fixtures. Measure and mark the length of the lens needed.



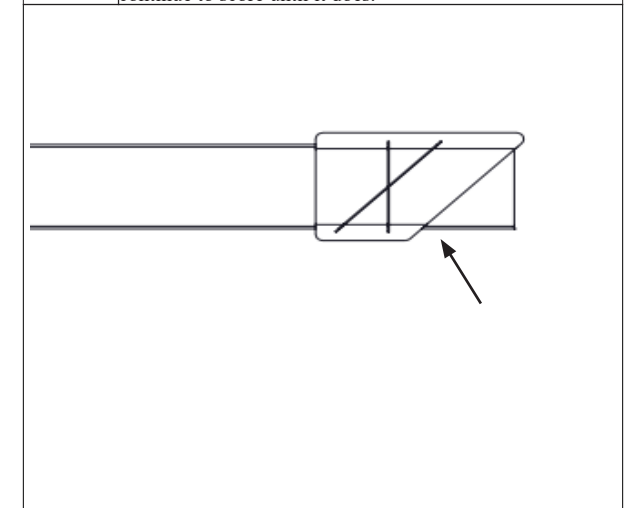
23

Insert one end of the lens into lens cutter as shown. Be sure that there is material visible through the 45-degree slot. Holding lens and cutter securely, scribe the lens with a knife a minimum of 10 times.

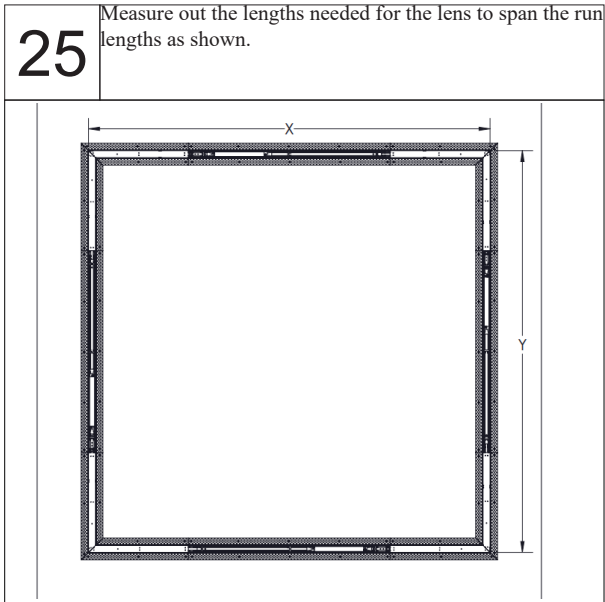


24

Push lens farther through the cutting jig until the score line matches the edge of the part. Carefully snap lens at the score line. If the lens does not snap relatively easy, continue to score until it does.

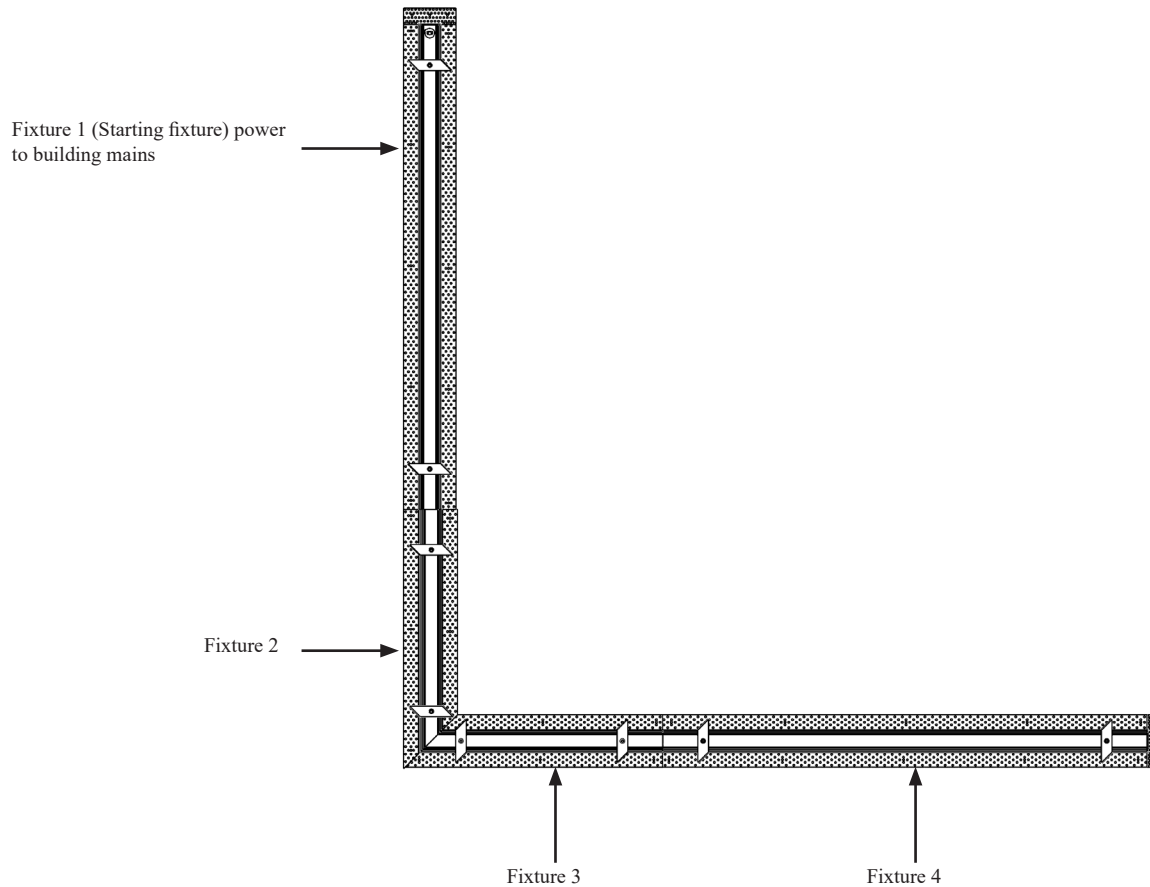


# INSTALLATION INSTRUCTIONS



# INSTALLATION INSTRUCTIONS

## Shape Configuration L Drywall Spackle Flange (DWSF)



- Step 1. Hang fixture 1
- Step 2. Hang fixture 2. Connect fixtures 1&2.
- Step 3. Hang fixture 3. Connect fixtures 3&2
- Step 4. Hang fixture 4. Connect fixtures 4&3.
- Step 5. Snap in continuous lens.

**Note:** Latch and kepper are only on liner portion of shapes.

# INSTALLATION INSTRUCTIONS

## Shape Configuration L Drywall Spackle Flange (DWSF)

**1** Power must be turned off prior to disconnecting or reconnecting fixture. Prepare area where fixture is going to be installed. Cut hole in drywall according to the dimensions in the client drawings. Tape and finish edges of drywall.

**2** Hang fixture 1.

**3** Insert & slide putty knife along edge of reflector to remove from fixture housing.

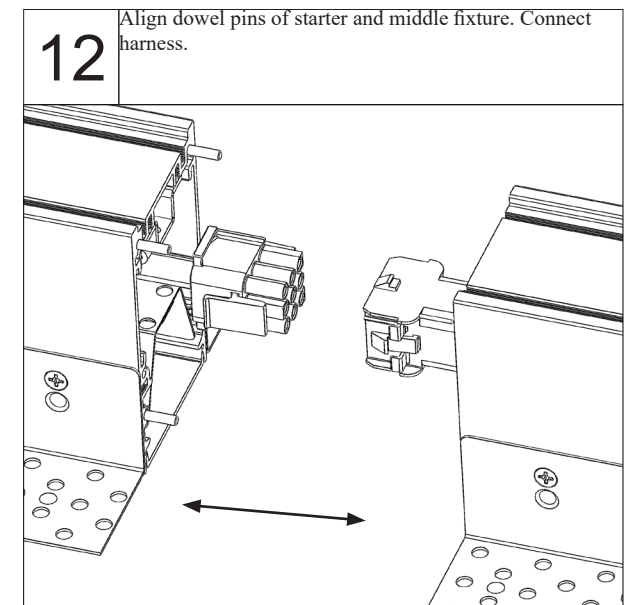
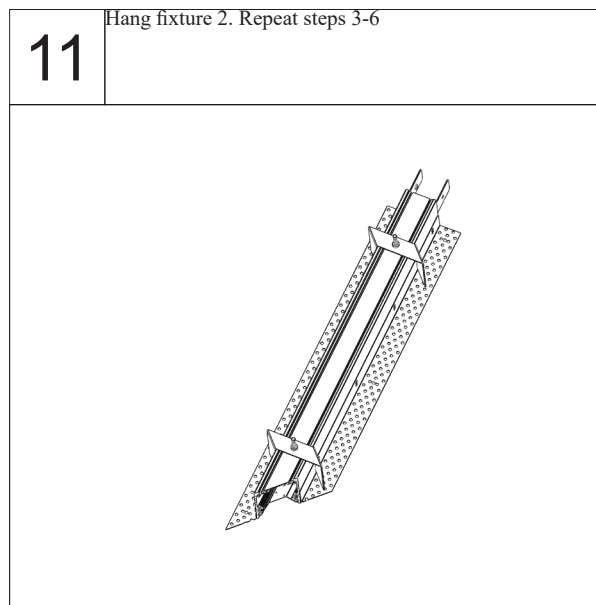
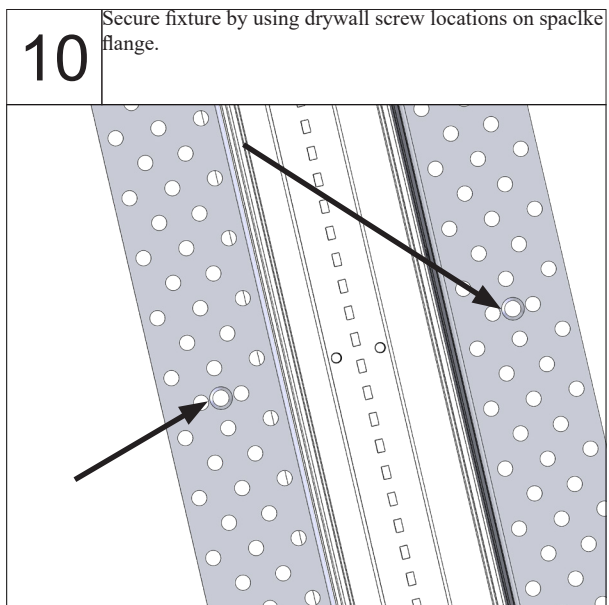
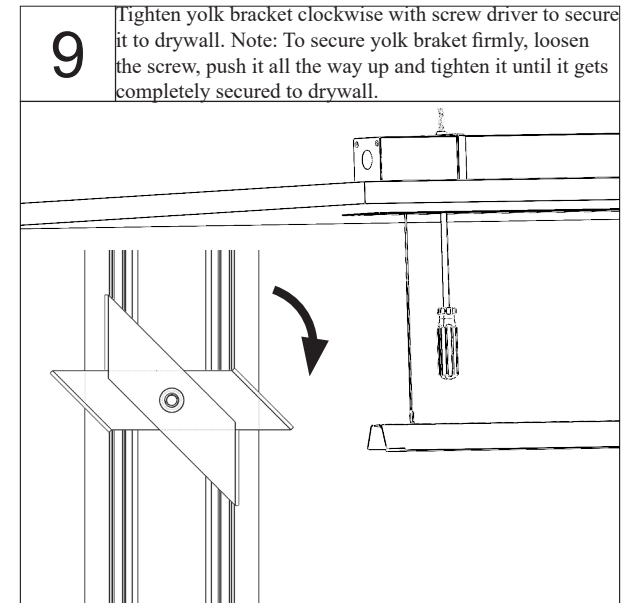
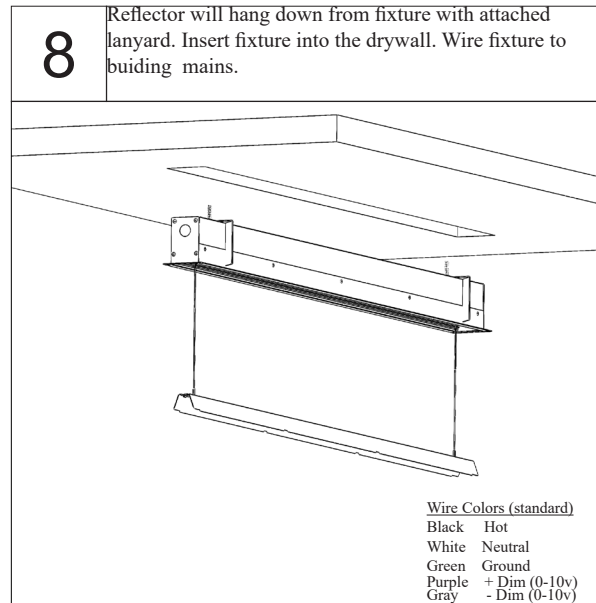
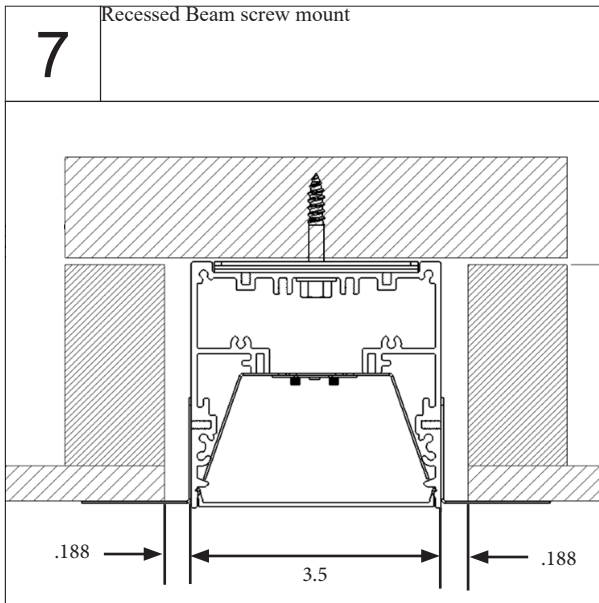
**4** Recessed Slim Beam yoke mount

**5** Recessed Slim Beam screw mount

**6** Recessed Beam yoke mount

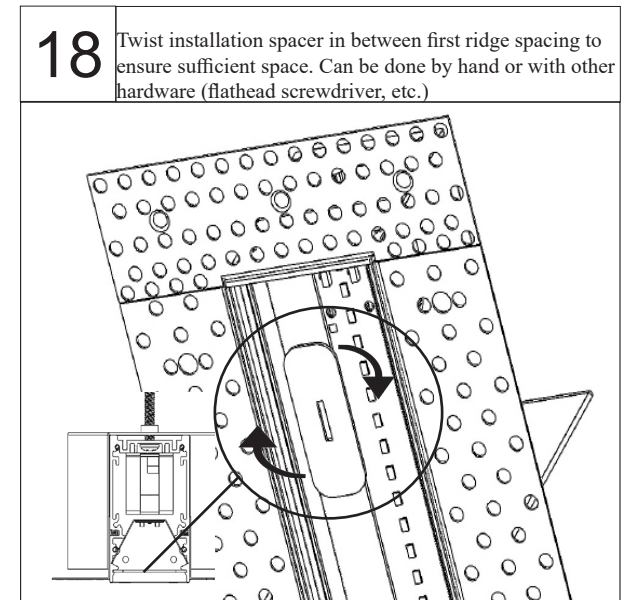
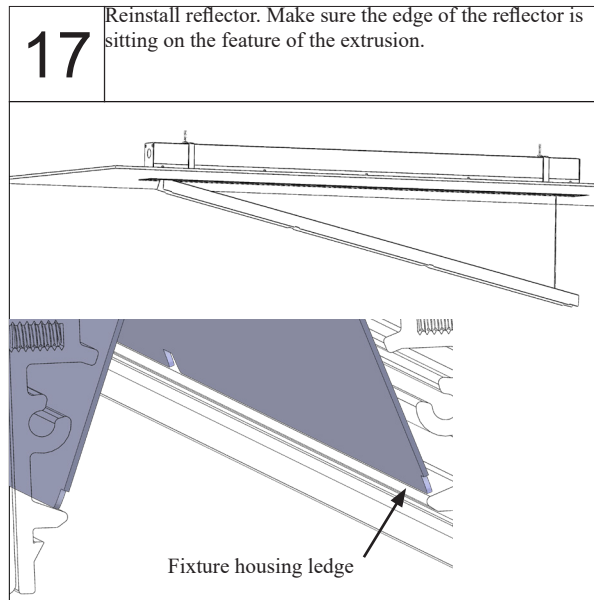
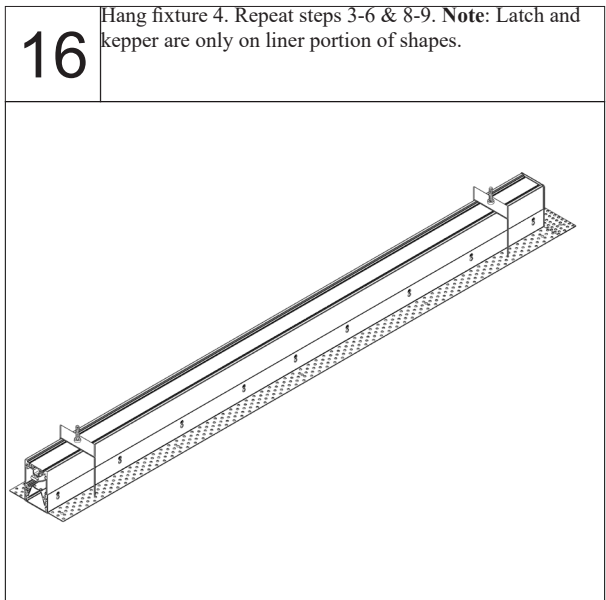
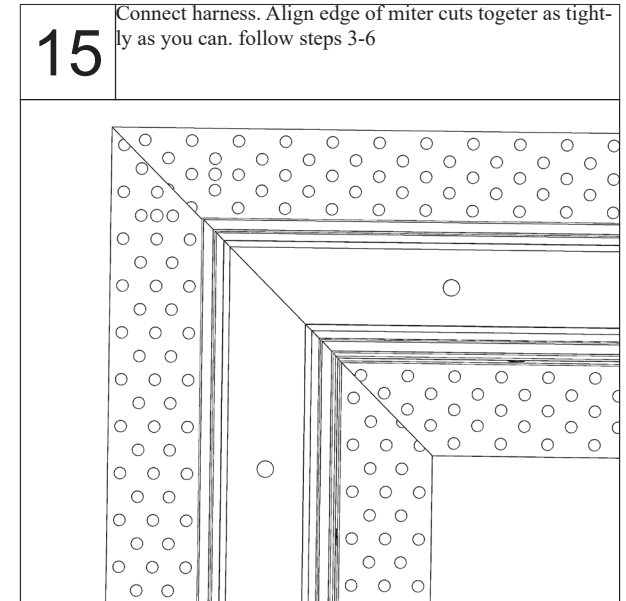
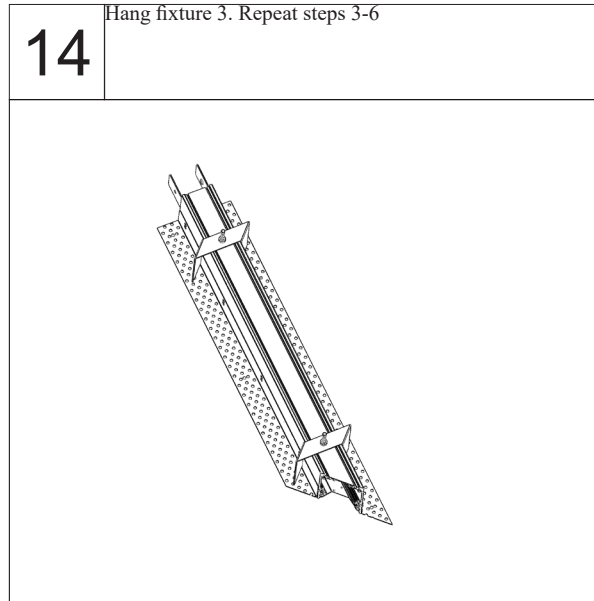
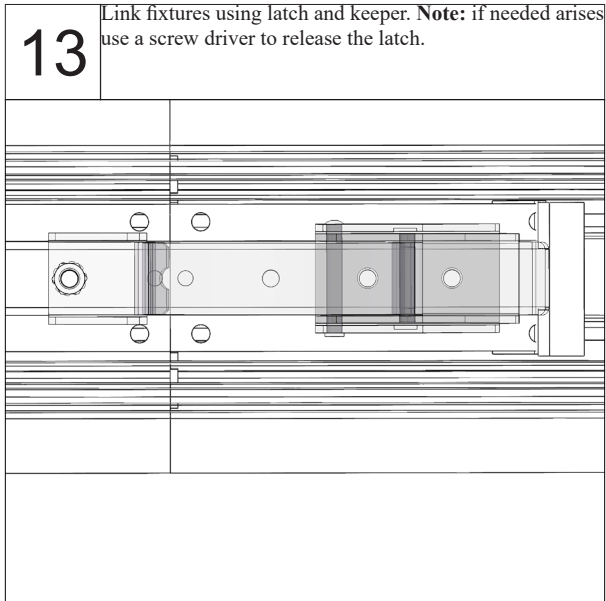
# INSTALLATION INSTRUCTIONS

## Shape Configuration L Drywall Spackle Flange (DWSF)



# INSTALLATION INSTRUCTIONS

## Shape Configuration L Drywall Spackle Flange (DWSF)



# INSTALLATION INSTRUCTIONS

## Shape Configuration L Drywall Spackle Flange (DWSF)

**19** Opening should measure 1.965 inches for Recessed Slim Beam or 3.340 inches for Recessed Beam to ensure lens fits. Adjust drywall screws as needed.

**20** Plaster and sand over spackle flange to create a smooth finish. Once mud is totally dry, remove the masking tape.

**21** Twist installation spacer out and remove.

**22** Lenses ship with longer lengths than fixtures. Mark both run length edges of the lens to the edge length of the fixture.

**23** Scribe the lens multiple times min of (10X). While holding the fixture secure, apply pressure in an upward direction to detach extra lens material.

**24** Install continuous lens.



# INSTALLATION INSTRUCTIONS

