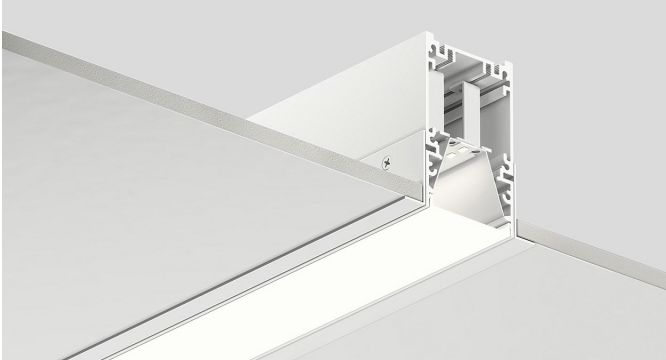
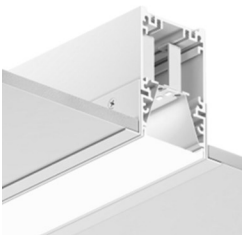


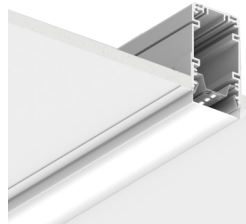
RECESSED SLIM BEAM



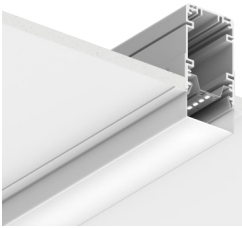
DIFFUSING



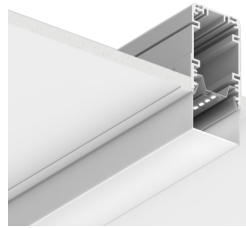
FLUSH, H: 3.5"



DL05, H: 4.0"

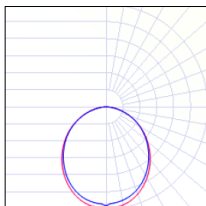


DL10, H: 4.5"

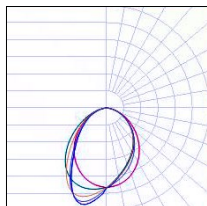


DL15, H: 5.0"

DISTRIBUTION



SD= SatinIce Diffuse



WW= Wall Wash



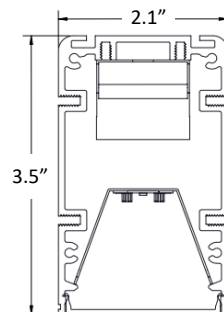
Type:	
Project:	
REP/Agent:	
Order #:	



FEATURES

- ★ Continuous lensing - runs up to 150'
- ★ Standard 2', 4', 6' and 8' units or continuous rows
- ★ Fixture/run length increments down to 1/16"
- ★ Single piece aluminum extrusion housing
- ★ Linear runs with proprietary joiner design
- ★ Snap-in lens and reflector for easy installation
- ★ Compatible with wall-to-wall applications
- ★ 3 Step MacAdam ellipse binning
- ★ Efficacy up to 116 lm/W
- ★ Soft diffuse direct lighting
- ★ Approved for dry and damp locations
- ★ 0-10v dimming is standard
- ★ Dim to 1% of output current is standard
- ★ 90 CRI (R9 50min) available
- ★ CA Title 24 / JA8 installation compatible
- ★ Consult factory for TM21, TM30, LM79 and LM80
- ★ IC Rated
- ★ Chicago Plenum available
- ★ L70 > 50,000 hours

DIMENSIONS



Type:	
Project:	
REP/Agent:	
Order #:	

RECESSED SLIM BEAM

RSLIM					
SERIES	LENGTH	LUMENS PER FOOT	DISTRIBUTION	CCT	CRI
RSLIM	XX= Run Length _x_RECT= Rectangle _x_L= L-Shape	350= 350 LPF 500= 500 LPF 750= 750 LPF 1000= 1000 LPF XXX= Custom LPF	SD= SatinIce Diffuse WD= Wide Diffuse WW= Wall Wash DL05= Satin Diffuse 0.5" Drop DL10= Satin Diffuse 1.0" Drop DL15= Satin Diffuse 1.5" Drop <small>Seamless Continuous Lensing Unavailable for "DL" Options</small>	30K= 3000K 35K= 3500K 40K= 4000K 50K= 5000K TW= Tunable White ¹ (2700-6500K)	80= 80 90= 90 (R9 50 min)

FINISH	MOUNTING	VOLTAGE	ELECTRICAL
STANDARD PW= Powder Coat White PB= Powder Coat Black	T-GRID TBX= 9/16" Grid 15/16" Grid 9/16" Grid (Tegular Tile) 15/16" Grid (Tegular Tile) 9/16" Screw Slotted T-Grid	U= 120-277 C= 347	1C= Single Circuit MC= Multiple Circuits (multiple switch legs across run length) EC= Emergency Circuit (separate power drops for EC fixtures) GTD= Generator Transfer Device
PREMIUM RALxxxx= Powder Coat RAL xxxx (Gloss Finish)	PT= Prelude T-Grid TBO= T-BAR Other (Specify Type of T-BAR)		
CUSTOM PO= Powder Other	DRYWALL WITH COSMETIC BEZEL DWCB(W)= Cosmetic Bezel White DWCB(B)= Cosmetic Bezel Black DRYWALL WITH SPACKLE FLANGE DWSF= Drywall w/ Spackle Flange		

OPTIONS

SPECIALTY DRIVERS (Standard driver is 0-10V, dim to 1% output current) DT1= eldoLED EcoDrive Dim to 1% (0-10V) DTZ= eldoLED SoloDrive Dim to 0.1% (0-10V) PSRD=Philips Sensor Ready (DALI) Driver LDE1= Lutron Hi-Lume EcoSystem LED driver w/ Soft-on, Fade-to-Black TW-A= Tunable White, 0-10v ² TW-EL= eldoLED DUALdrive Tunable White (DALI) ² PSQ02U= Lutron T-Series 1% 2-Channel Tunable White driver ²	SENSORS DMxx%= Daylight/Motion Sensor (xx%= % Min. Dimming) AAWN-R-W= Lutron Athena Wireless Node (RF only) ⁴ - White Finish AAWN-R-B= Lutron Athena Wireless Node (RF only) ⁴ - Black Finish
BATTERIES ("#" indicates quantity) #EMB6= 6W EM Battery ³ (Bodine BSL06T3) #EMB10= 10W EM Battery ³ (Bodine BSL10T3) #FCEMB10= 10W EM Battery ³ (Factory Choice) #FCEMB14= 14W EM Battery ³ (Factory Choice)	OTHER CP= Chicago Plenum (CCEA) CFW= Conduit Flex Whip

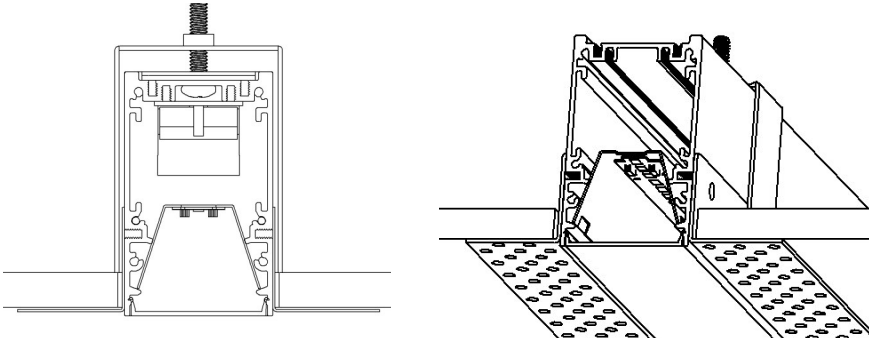
EXAMPLE: RSLIM-20-500-SD-35K-80-PW-TBX-U-1C-1EMB10

¹ Tunable White Driver must be specified in options
² 50 Watt Max. Dual driver required for higher fixture wattage
³ Emergency battery option not available with 2' fixtures
⁴ DALI driver for static & DALI-2 Type 8 for tunable.

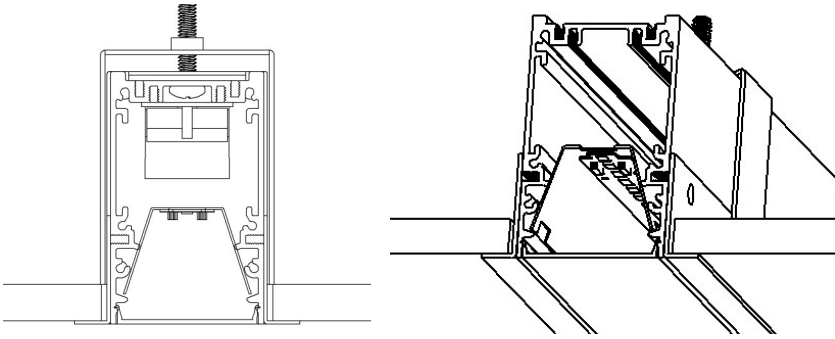
RECESSED SLIM BEAM

MOUNTING OPTIONS

DWSF - Drywall W/Spackle Flange

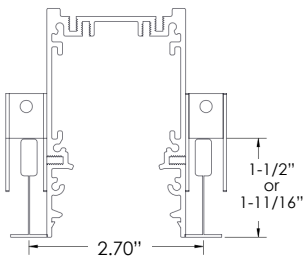


DWCB - Drywall W/Cosmetic Bezel

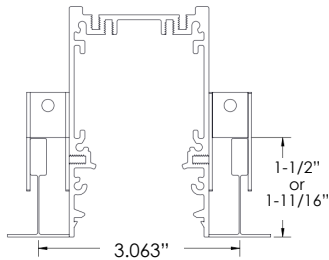


T-BAR/T-GRID Options - TBX

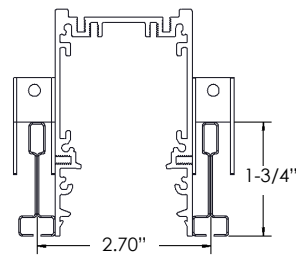
9/16" T-Bar
(Flush)



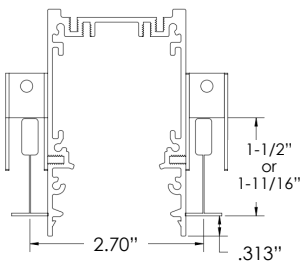
15/16" T-Bar
(Flush)



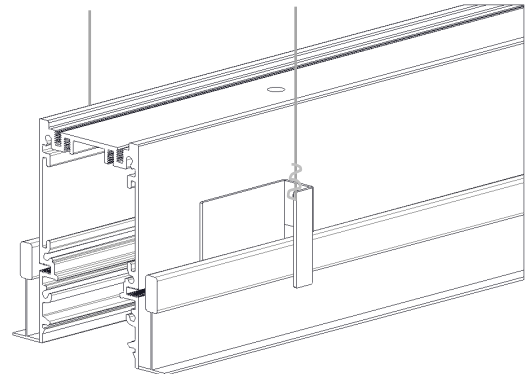
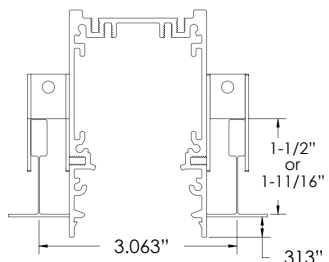
9/16" T-Bar
(Bolt Slotted)



9/16" T-Bar
(Tegular)



15/16" T-Bar
(Tegular)



RECESSED SLIM BEAM

ROW CONFIGURATIONS

xx (Run Length)

The standard construction of run lengths follows the logic of the table below. Consult factory for additional information.

		Total Length																																											
		2	3	4	5	6	7	8	9	10	11	12	13	14	15	16	17	18	19	20	21	22	23	24	25	26	27	28	29	30	31	32	33	34	35	36	37	38	39	40					
# of Sections	2	1																																											
	3		1																																										
	4			1					1	1	1	1					1	1	1	1						1	1	1	1					1	1	1	1								
	5				1				1				1				1				1				1				1				1				1				1				
	6					1				1				1				1				1				1				1				1				1				1			
	7						1				1				1				1				1				1				1				1				1				1		
	8							1				1	1	1	1	1	2	1	1	1	2	2	2	2	3	2	2	2	3	3	3	3	4	3	3	3	4	4	4	4	4	4	5		

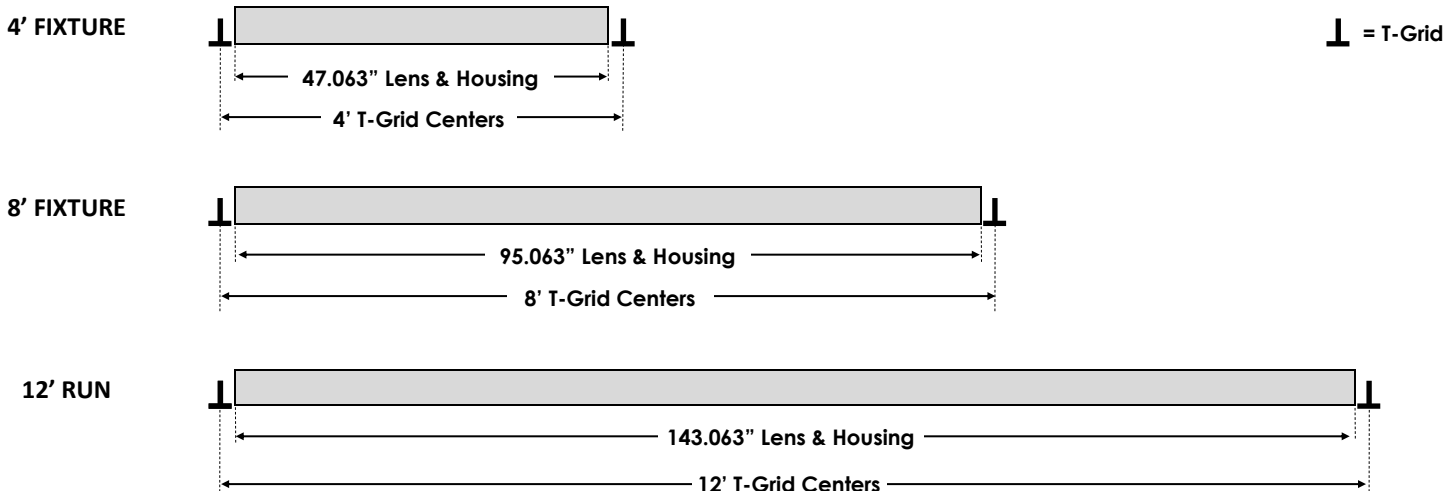
NOTE: Fixtures in continuous runs are available in 6" increments. Consult factory for smaller increments.

T-GRID LENS AND HOUSING LENGTHS

Individual & Continuous Run

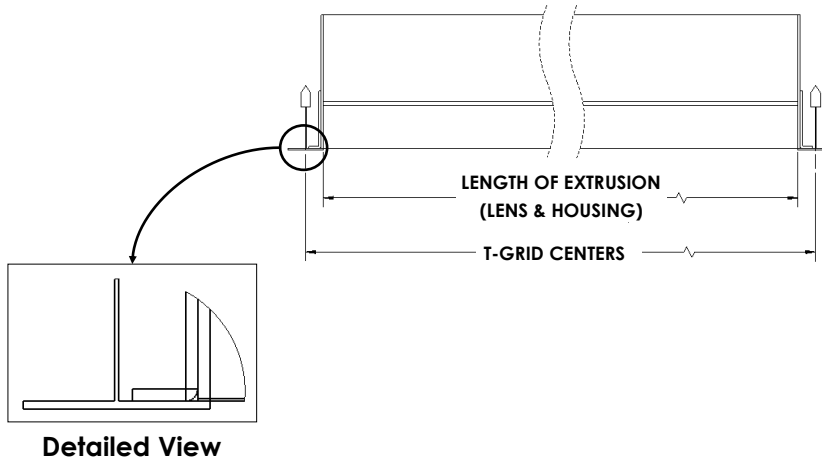
The lengths of individual fixtures and run lengths specified in the ordering logic is the distance between the centers of the T-Grids (See Page 4). The actual length of the fixtures and the lens will be shorter from that specified length. In a run, the last fixture compensates for the T-Grid. If a different configuration is needed to meet an aesthetic requirement, please indicate this on your P.O. when placing your order.

Examples of the standard construction of T-Grid configurations are as follows:

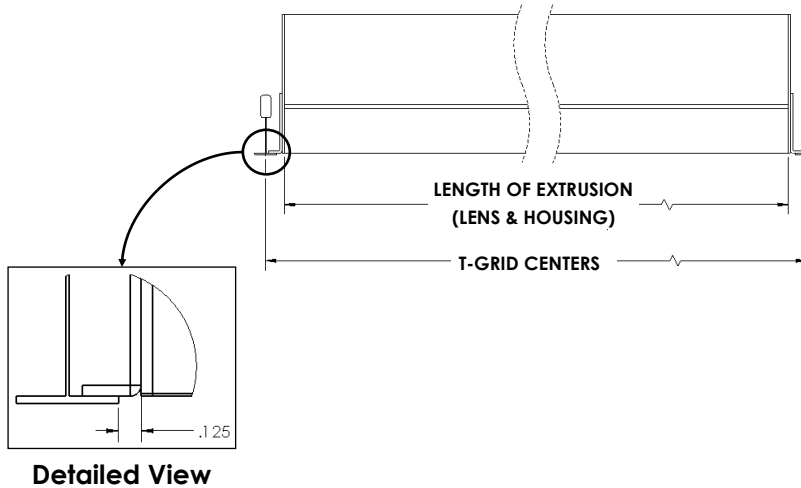


T-GRID LENGTHS

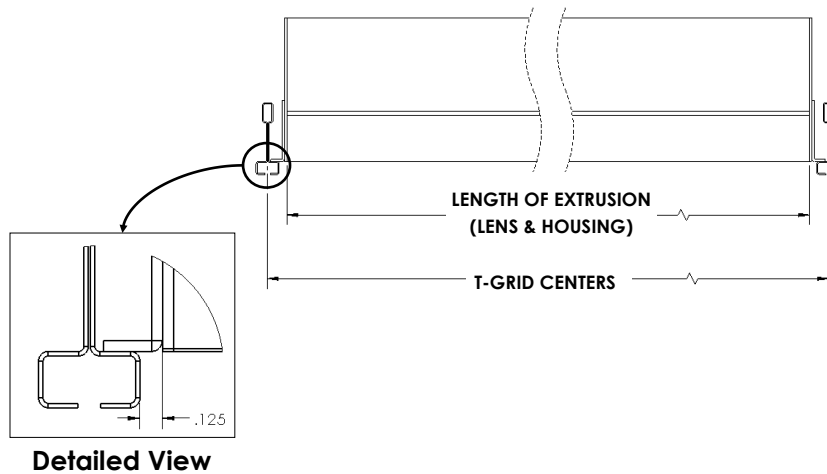
15/16" T-BAR



9/16" T-BAR



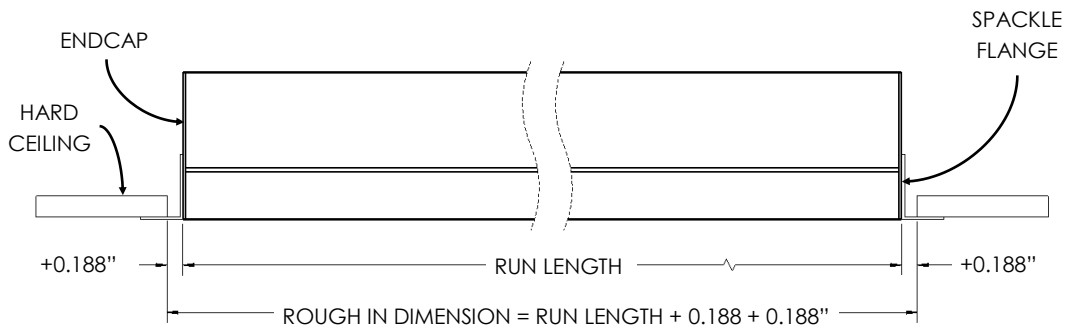
9/16" SCREW SLOT



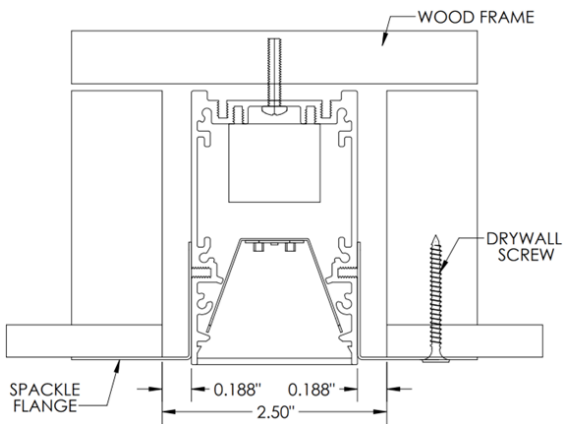
RECESSED SLIM BEAM

HARD CEILING LENGTH DETAILS—DWSF AND DWCB

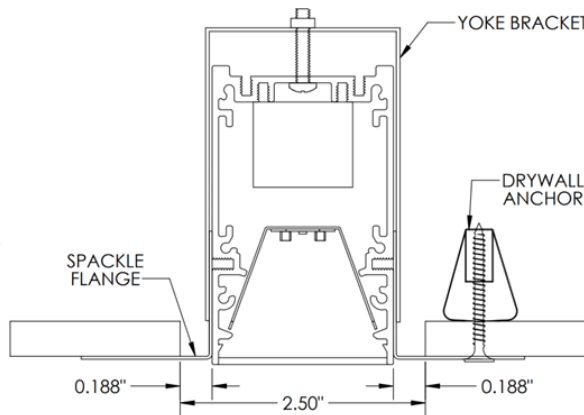
DWSF: (SPACKLE FLANGE)



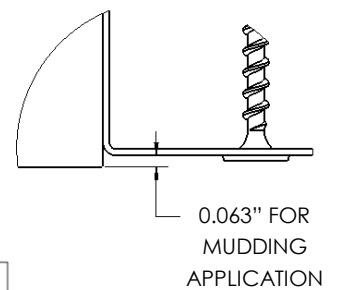
SCREW MOUNT



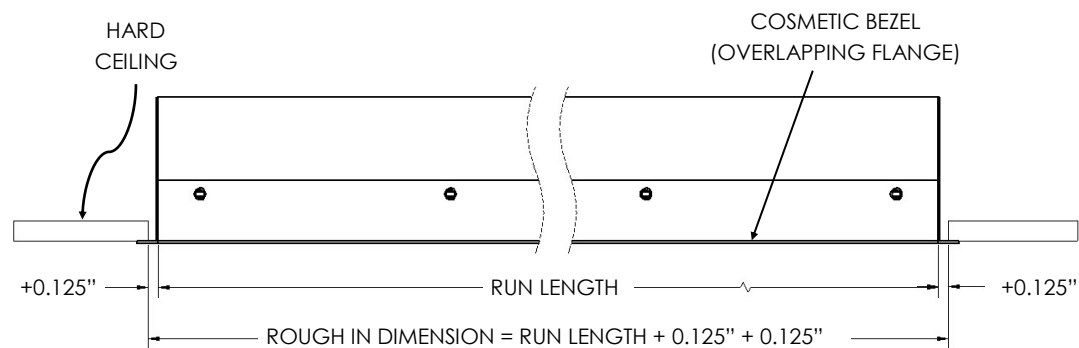
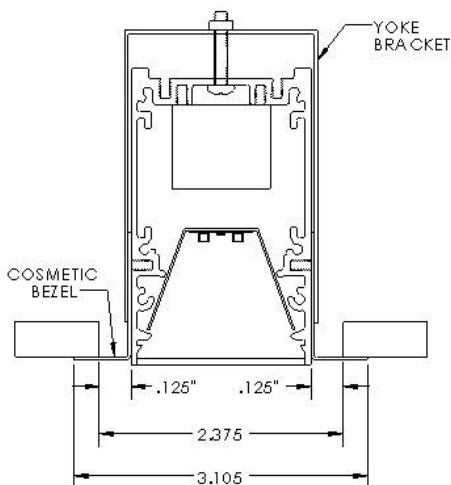
YOKE MOUNT



DETAIL VIEW



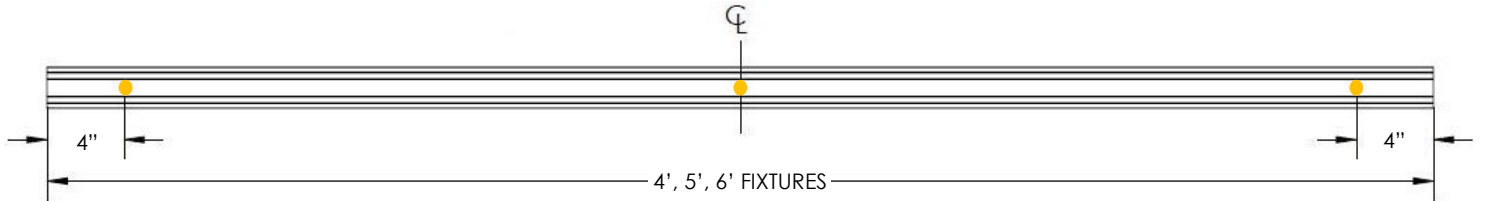
DWCB: COSMETIC BEZEL (OVERLAPPING FLANGE)



RECESSED SLIM BEAM

MOUNTING LOCATIONS: DWSF & DWCB

Mounting locations (●) vary due to length. Views below show top of fixtures and their hole location. For hard ceilings, we offer two types of options. A threaded rod mount, or a screw mount. Please see below of mounting locations as these vary based on length of the fixture.

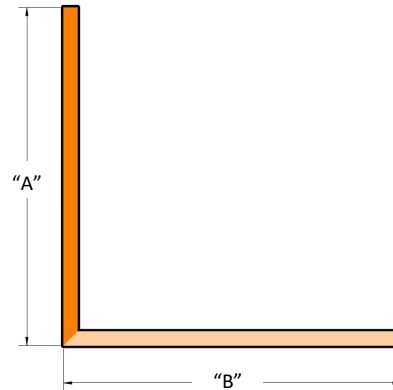
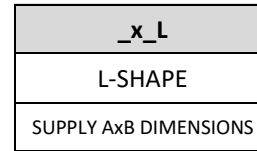
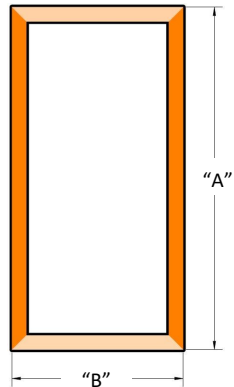
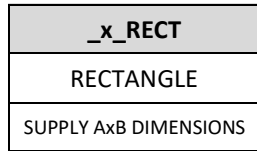


NOTE: Hole size at mounting locations is $\varnothing.266"$.

RECESSED SLIM BEAM

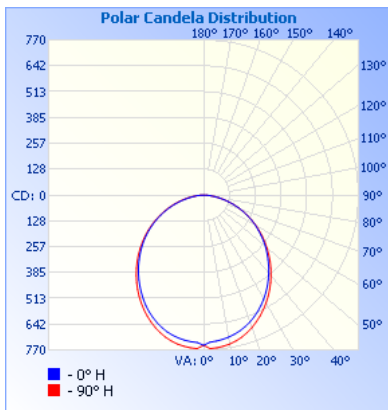
SHAPE CONFIGURATION WITH MITER CUTS

Specify the configuration and overall dimensions. Note the overall dimension is for the fixture and does not include any mounting brackets or accessories. For the "L" shape, the standard construction is to build with as many 8' sections as possible or use the longest sections first and finish the shapes with a shorter length fixture if necessary.



PERFORMANCE

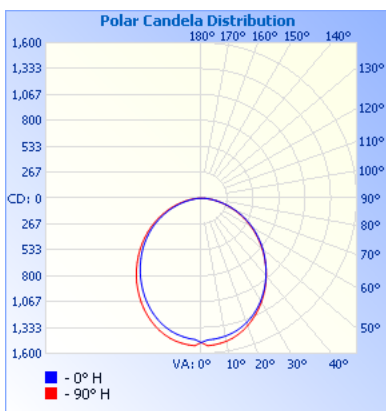
RSLIM-X-500-SD (80+ CRI)



Model	Lumens	Watts	LPW
RSLIM-4-500-SD-30K	2,000	20	101
RSLIM-4-500-SD-35K	2,000	19	104
RSLIM-4-500-SD-40K	2,000	19	107
RSLIM-4-500-SD-50K	2,000	18	112

Model	Lumens	Watts	LPW
RSLIM-8-500-SD-30K	4,000	38	105
RSLIM-8-500-SD-35K	4,000	37	108
RSLIM-8-500-SD-40K	4,000	36	111
RSLIM-8-500-SD-50K	4,000	34	116

RSLIM-X-1000-SD (80+ CRI)



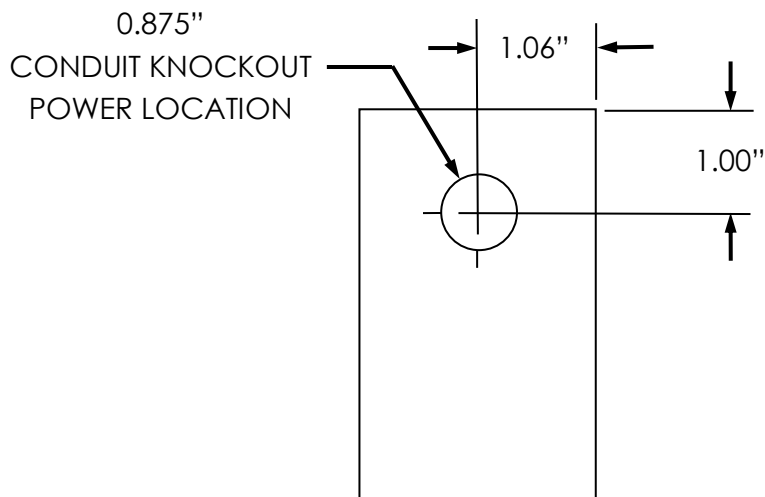
Model	Lumens	Watts	LPW
RSLIM-4-1000-SD-30K	4,000	40	100
RSLIM-4-1000-SD-35K	4,000	39	103
RSLIM-4-1000-SD-40K	4,000	38	106
RSLIM-4-1000-SD-50K	4,000	36	111

Model	Lumens	Watts	LPW
RSLIM-8-1000-SD-30K	8,000	77	104
RSLIM-8-1000-SD-35K	8,000	75	107
RSLIM-8-1000-SD-40K	8,000	73	110
RSLIM-8-1000-SD-50K	8,000	70	115

POWER LOCATION & WIRING DIAGRAMS

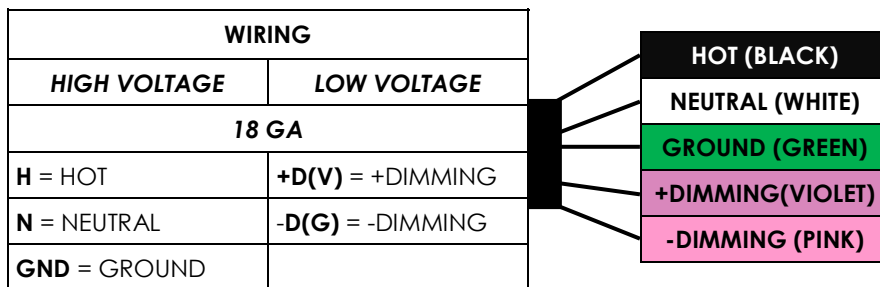
POWER LOCATION

The standard power location is out the end cap on the starter fixture. If a different configuration is needed to meet an aesthetic or placement requirement, please consult the factory.

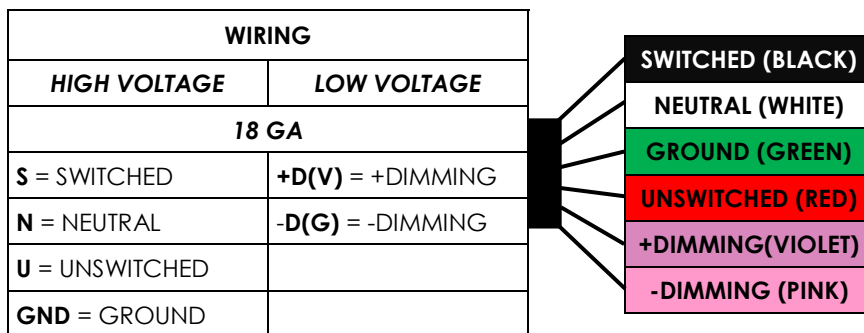


WIRING DIAGRAMS

Wiring configurations are dependent on the options chosen. Below are a few examples of our standard wiring that is used to power the fixture.



This wiring diagram is showing a standard set of wires for a basic fixture.



This wiring diagram is showing a set of wires for a fixture with a emergency battery.

RECESSED SLIM BEAM

SPECIFICATIONS

Housing

Nominal 2.0" x 3.5" x .075 thick housing of continuous extruded 6063 T5 aluminum.

Luminaire Length

2', 4', 6' or 8' lengths are available for a single stand-alone section. Using internal joiners, sections can be joined to form longer rows.

Battery

Philips Bodine lithium ion battery providing up to 720lm (6W) or up to 1200lm(10W) for 90 minutes. UL924 listed. Class 2 compliant. Meets Title 20 CEC (California Energy Commission) efficiency standards.

Lensing

Snap-in .080" thick acrylic lensing with impact modifier

Source

Four standard lumen packages are available in four color temperature options (3000K, 3500K, 4000K and 5000K) — all within 3 MacAdam ellipses.

Certification

Intertek cETLus Listed. RoHS (Restriction of Hazardous Substances) and Buy American Act compliant.

Environment

Suitable for dry and damp locations.

Operating temp.: -40°C to +45°C

Dimming Driver

Universal Lighting Technologies (ULT) Everline series of LED drivers allows tunable output currents to achieve infinite configurations of output. UL Class 2 recognized. 0-10v interface can be wired as Class 1 or Class 2 circuit. Included 2.5Kw ring and wave overcurrent protection, isolation of each individual output and a fully potted driver to protect from heat and vibration. Power factor <.93

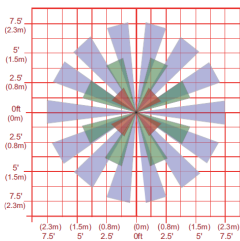
Packaging

Sustainably manufactured outside cardboard box and biodegradable, protective poly-foam luminaire inserts.

CONTROL

Sensor

Wattstopper FS-205 v2 Low Voltage PIR. Integrated photosensor for hold-off daylighting control. 24VDC operating voltage. Adjustable time delay (30 seconds to 30 minutes).



Wireless Node



WARRANTY

5-year limited warranty. Complete warranty terms can be located at:

http://www.starteklightingamerica.com/images/pdf/warranty/Beam_Series_Warranty.pdf

Note: Actual performance may differ as a result of installation environment and final application.

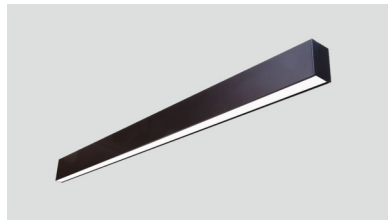
All values are design or typical values, measured under laboratory conditions, at 25°C (77°F) .

COMPANION PRODUCTS

Slim Beam Direct



Slim Beam Direct/Indirect



Slim Beam Surface Mount

