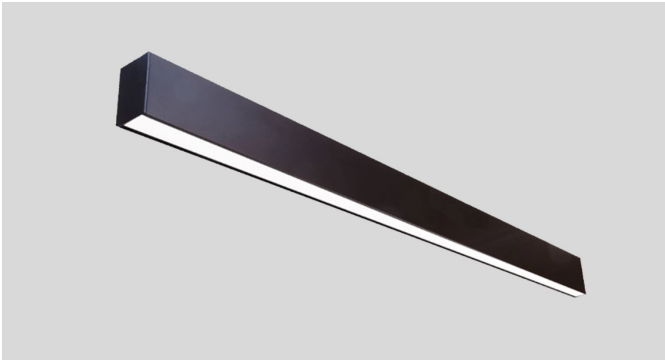
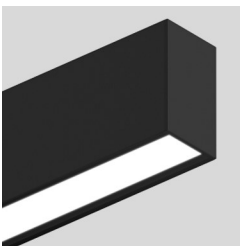


Type:	
Project:	
REP/Agent:	
Order #:	

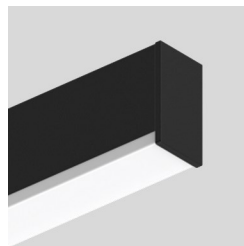
SLIM BEAM DIRECT



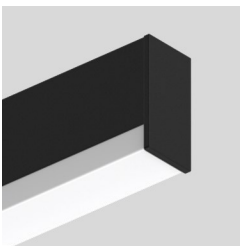
DIFFUSING



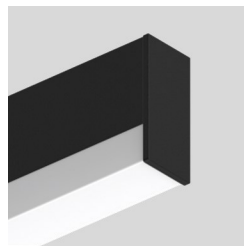
FLUSH, H: 3.5"



DL05, H: 4.0"

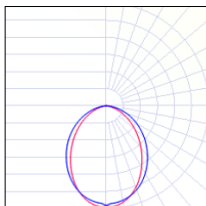


DL10, H: 4.5"

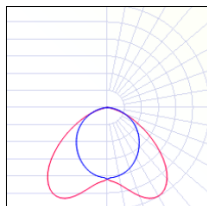


DL15, H: 5.0"

DISTRIBUTION



SD= SatinIce Diffuse

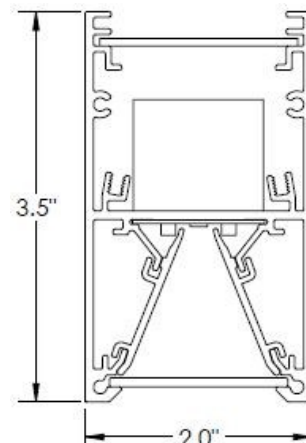


WD= Wide Diffuse

FEATURES

- ★ Continuous lensing standard– runs up to 200'
- ★ Extruded aluminum single piece housing
- ★ Standard 2', 4', 6' and 8' units, or continuous rows
- ★ Linear runs with proprietary joiner design
- ★ Light levels can be set at the factory
- ★ Efficacy up to 135 lm/W
- ★ Soft diffuse direct lighting
- ★ Textured powder coat finishes available in white, black and silver
- ★ Premium finishes also available
- ★ Approved for dry and damp locations
- ★ 0-10v dimming is standard
- ★ Dim to 1% of output current is standard
- ★ 90 CRI (R9 50min) available
- ★ CA Title 24 / JA8 installation compatible
- ★ Consult factory for TM21, TM30, LM79 and LM80

DIMENSIONS



Type:	
Project:	
REP/Agent:	
Order #:	

SLIM BEAM DIRECT

SLIMD					
SERIES	LENGTH	LUMENS PER FOOT	DISTRIBUTION	CCT	CRI
SLIMD	xx = Run Length Sxx = Symmetric Run Length _x_RECT = Rectangle _x_L = L-Shape _x_x_U = U-Shape	350 = 350 LPF 500 = 500 LPF 750 = 750 LPF 1000 = 1000 LPF XXX = Custom LPF	SD = SatinIce Diffuse WD = Wide Diffuse WW = Wall Wash DL05 = Satin Diffuse 0.5" Drop DL10 = Satin Diffuse 1.0" Drop DL15 = Satin Diffuse 1.5" Drop DLE05 = 0.5" Drop w/ Lit Ends DLE10 = 1.0" Drop w/ Lit Ends DLE15 = 1.5" Drop w/ Lit Ends	30K = 3000K 35K = 3500K 40K = 4000K 50K = 5000K TW = Tunable White ¹ <i>(2700-6500K)</i>	80 = 80 90 = 90 <i>(R9 50 min)</i>

Seamless Continuous Lensing Unavailable for "DL" Options. See pg. 7 for premium and standard lens options

FINISH	MOUNTING	VOLTAGE	ELECTRICAL
STANDARD PW = Powder Coat White PB = Powder Coat Black PS = Powder Coat Silver PREMIUM RALxxx = Powder Coat RAL xxxx (Gloss Finish) PSFx = Prem Stock Finish <i>(See Pg. 8)</i> CUSTOM PO = Powder Other	CABLES WITH CANOPY KITS ACW05 = White Cord 5' ACW10 = White Cord 10' ACB05 = Black Cord 5' ACB10 = Black Cord 10' CABLES WITH LOOPS ALW10 = White Cord 10' ALB10 = Black Cord 10' WALL MOUNTS WM = Wall Mount AWM = Architectural Wall Mt EWM = Extruded Wall Mount STEM WITH CANOPY KITS STEMWxx = Stem White, xx" STEMBxx = Stem Black, xx"	U = 120-277 C = 347	1C = Single Circuit MC = Multiple Circuits <i>(multiple switch legs across run length)</i> EC = Emergency Circuit <i>(separate power drops for EC fixtures)</i> GTD = Generator Transfer Device

--

OPTIONS

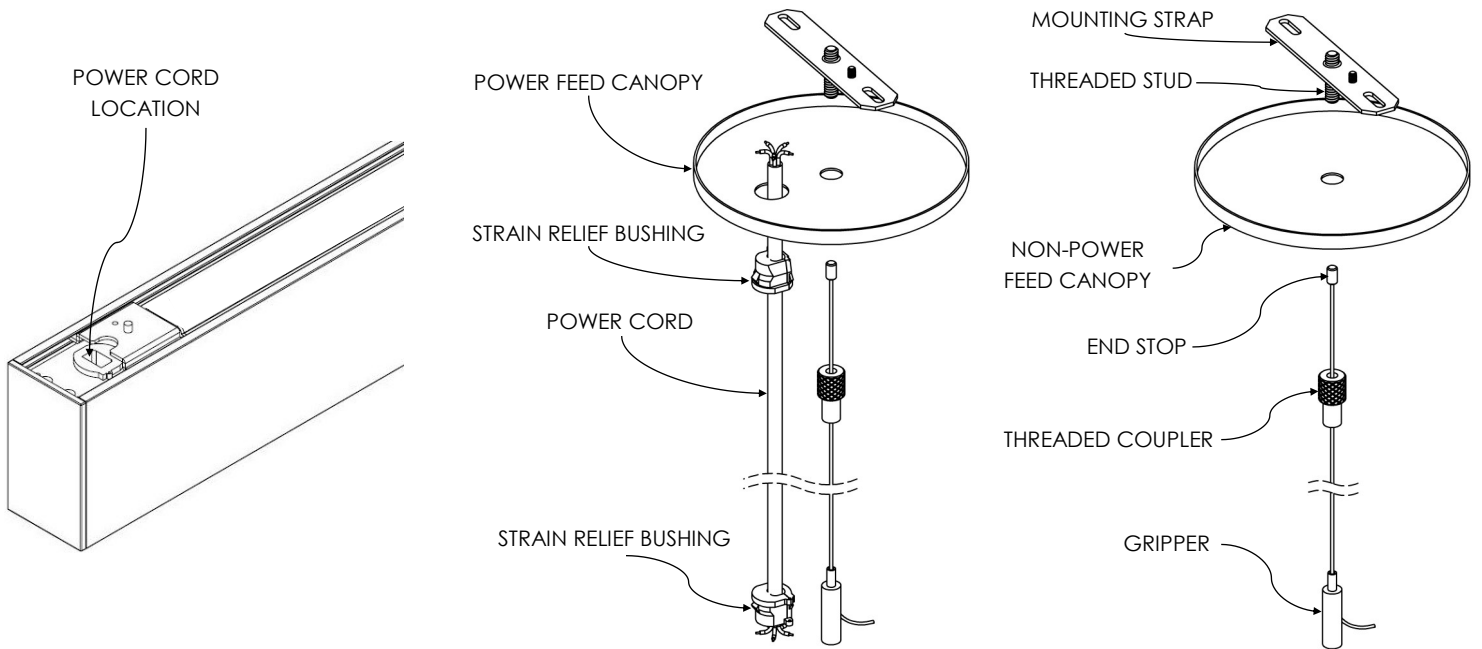
SPECIALTY DRIVERS (Standard driver is 0-10V, dim to 1% output current) DT1 = eldoLED EcoDrive Dim to 1% (0-10V) DTZ = eldoLED SoloDrive Dim to 0.1% (0-10V) PSRD = Philips Sensor Ready (DALI) Driver LDE1 = Lutron Hi-Lume EcoSystem LED driver with Soft-on, Fade-to-Black TW-A = Tunable White, 0-10v ² TW-EL = eldoLED DUALdrive Tunable White (DALI) ² PSQ02U = Lutron T-Series 1% 2-Channel Tunable White driver ²	SENSORS DMxx% = Daylight/Motion Sensor (xx%= % Min. Dimming) VDO = Lutron Vive Integral fixture control (RF w/ daylight and occupancy) AWN-R = Lutron Athena Wireless Node (RF only) ³ - White Finish AWN-B = Lutron Athena Wireless Node (RF only) ³ - Black Finish
BATTERIES #EMB6 = 6W EM Battery (Bodine BSL06T3) #EMB10 = 10W EM Battery (Bodine BSL10T3) #FCEMB10 = 10W EM Battery (Factory Choice) #FCEMB14 = 14W EM Battery (Factory Choice)	ENDCAPS RD = round endcap (not available with "DL" options)

EXAMPLE: SLIMD-40-750-WD-35K-80-PW-ACW10-U-1C-1EMB10

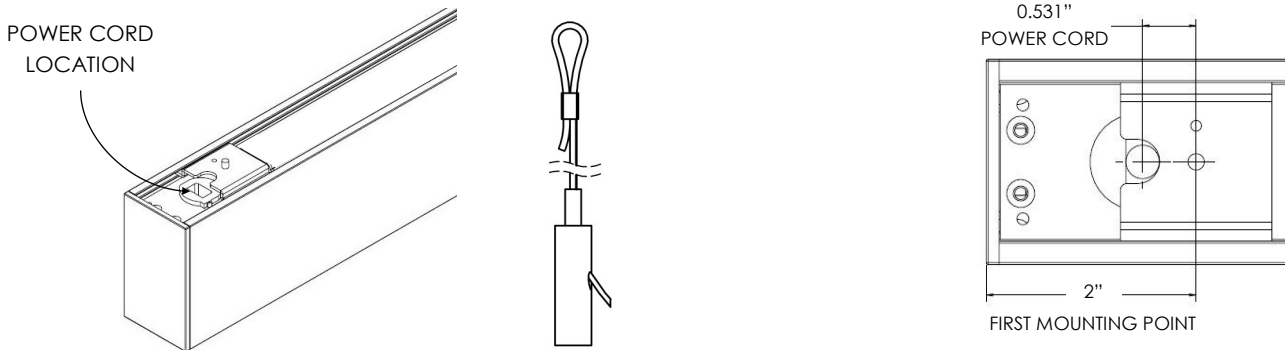
¹ Tunable White Driver must be specified in options
² 50 Watt Max. Dual driver required for higher fixture wattage
³ D4i driver for static & DALI-2 Type 8 for tunable.

MOUNTING OPTIONS

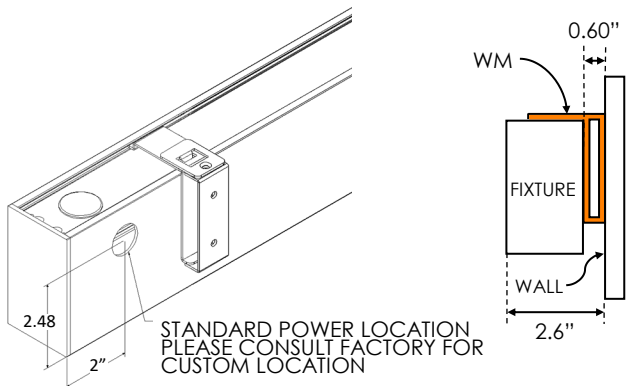
ACxxx (Aircraft Cable with Canopy) - Drywall, Solid, Tile (On-Grid), Tile (Off-Grid)



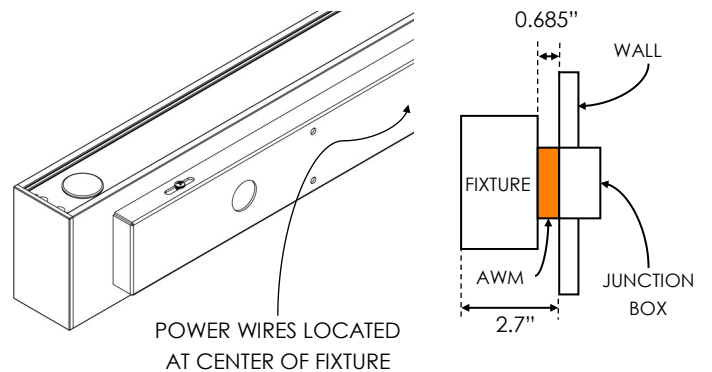
ALxxx (Aircraft Cable with Loops)



WM (Wall Mount)

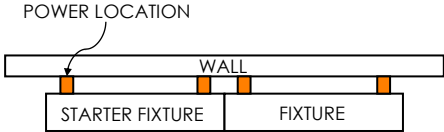
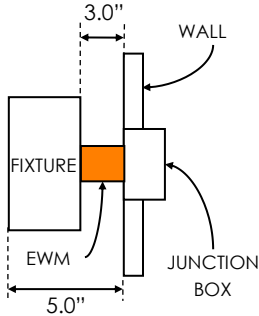
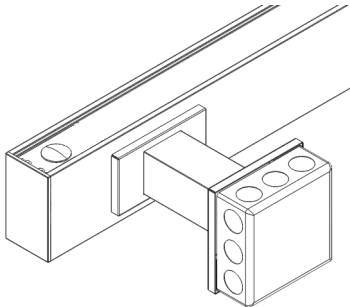


AWM (Architectural Wall Mount)

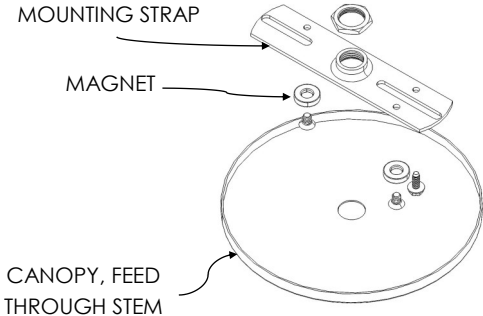
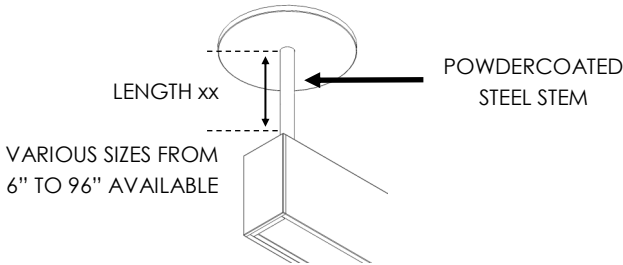


MOUNTING OPTIONS, CONTINUED

EWM (Extruded Wall Mount)



STEMWxx, STEMBxx (Stem Mount)



ROW CONFIGURATIONS

xx (Run Length)

The standard construction of run lengths follows the logic of the table below. Consult factory for additional information.

		Total Length																																												
		2	3	4	5	6	7	8	9	10	11	12	13	14	15	16	17	18	19	20	21	22	23	24	25	26	27	28	29	30	31	32	33	34	35	36	37	38	39	40						
# of Sections	2	1																																												
	3		1																																											
	4			1					1	1	1	1						1	1	1	1					1	1	1	1					1	1	1	1									
	5				1				1				1					1				1				1				1					1					1						
	6					1				1				1					1				1				1				1					1					1					
	7						1				1					1				1				1				1				1						1					1			
	8							1					1	1	1	1	1	2	1	1	1	1	2	2	2	2	3	2	2	2	3	3	3	3	4	3	3	3	4	4	4	4	4	4	5	

NOTE: Fixtures in continuous runs are available in 6" increments. Consult factory for smaller increments.

Sxx (Symmetric Run)

The construction of Sxx (y') is to build with equal length fixtures. The xx indicates the run length. The y' indicates the fixture length used to create the run. Please indicate this on your P.O. when placing your order.

S12' (2')	2'	2'	2'	2'	2'	2'
S12' (3')	3'	3'	3'	3'		
S12' (4')	4'	4'	4'			
S12' (6')	6'	6'				

MOUNTING LOCATIONS

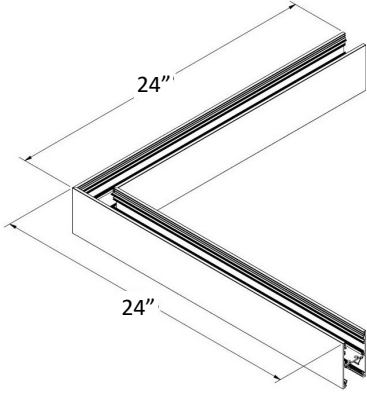
Each starter or individual fixture will be provided with (2) mounting supports (●). Each additional fixture will be provided with (1) support which can be located anywhere along the 2nd half of the fixture (highlighted below):

Examples of continuous run mounting locations are as follows:

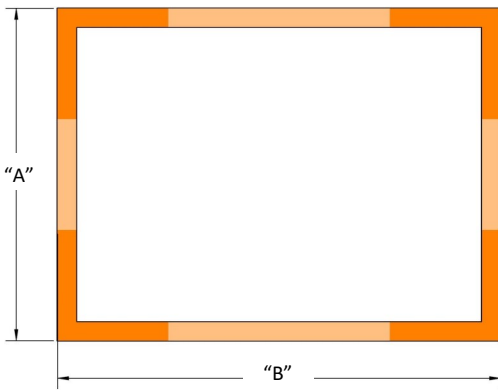
12' RUN	●	8'	●	4'		
16' RUN	●	8'	●	8'		
20' RUN	●	8'	●	8'	4'	
24' RUN	●	8'	●	8'	8'	
28' RUN	●	8'	●	8'	8'	4'

JOINT SHAPE CONFIGURATION WITH MITER CUTS

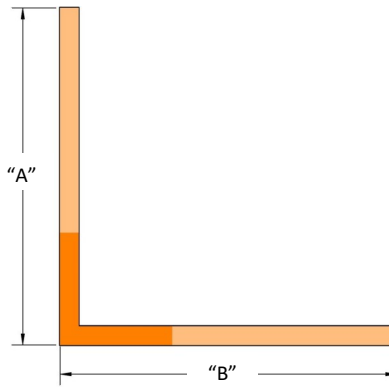
We provide joint configurations in the stock size of 24" X 24" as shown below.



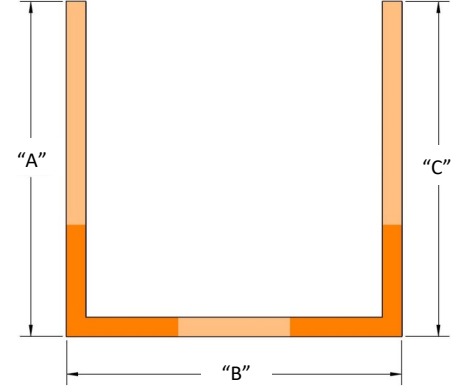
_x_RECT
Rectangle
Supply AxB dimensions



_x_L
L-Shape
Supply AxB dimensions



_x_x_U
U-Shape
Supply AxBxC dimensions



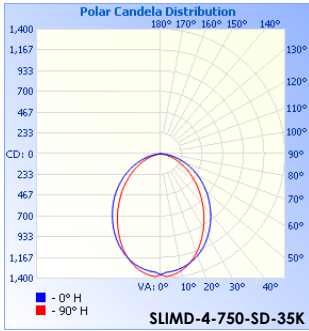
ENDCAP OPTIONS



RD, H: 3.5"

PERFORMANCE

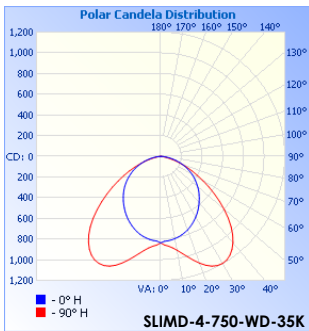
SLIMD-X-750-SD (80+ CRI)



Model	Lumens	Watts	LPW
SLIMD-4-750-SD-30K	3,000	26	116
SLIMD-4-750-SD-35K	3,000	25	120
SLIMD-4-750-SD-40K	3,000	24	123
SLIMD-4-750-SD-50K	3,000	24	127

Model	Lumens	Watts	LPW
SLIMD-8-750-SD-30K	6,000	48	124
SLIMD-8-750-SD-35K	6,000	47	128
SLIMD-8-750-SD-40K	6,000	46	131
SLIMD-8-750-SD-50K	6,000	44	135

SLIMD-X-750-WD (80+ CRI)

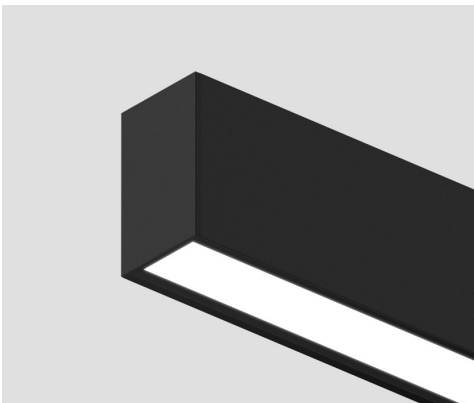


Model	Lumens	Watts	LPW
SLIMD-4-750-WD-30K	3,000	26	116
SLIMD-4-750-WD-35K	3,000	25	120
SLIMD-4-750-WD-40K	3,000	24	123
SLIMD-4-750-WD-50K	3,000	24	127

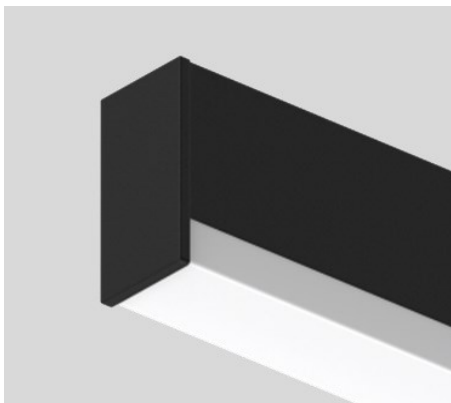
Model	Lumens	Watts	LPW
SLIMD-8-750-WD-30K	6,000	48	124
SLIMD-8-750-WD-35K	6,000	47	128
SLIMD-8-750-WD-40K	6,000	46	131
SLIMD-8-750-WD-50K	6,000	44	135

LENS OPTIONS

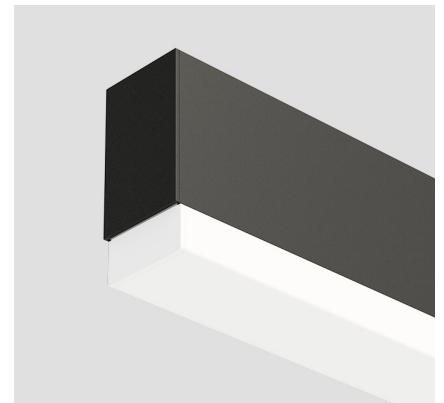
FLUSH



STANDARD DROP LENS



DROP LENS w/ LIT ENDS

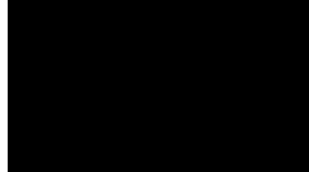


FINISHES

STANDARD FINISHES



WHITE MINI TEXTURE



BLACK MINI TEXTURE

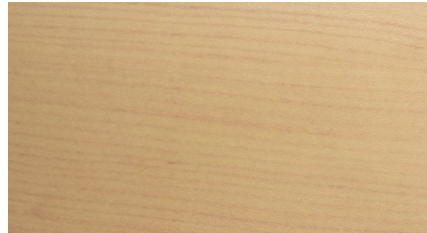


SILVER SPARKLE TEXTURE

PREMIUM STOCK FINISHES



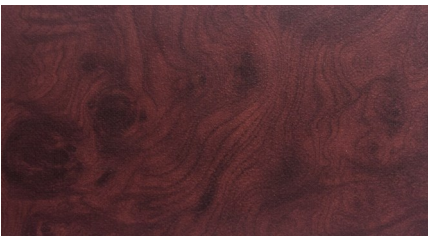
PSF001 (WOOD#1)



PSF002 (WOOD#2)



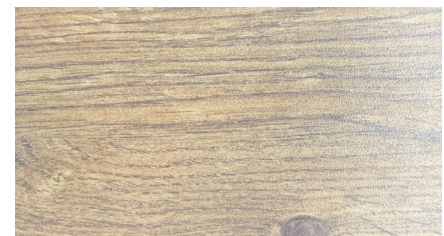
PSF003 (WOOD#3)



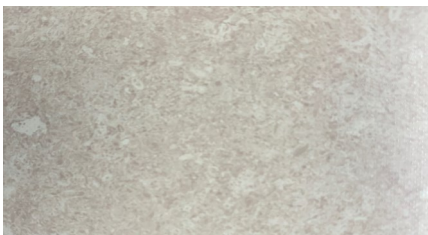
PSF004 (WOOD#4)



PSF005 (WOOD#5)



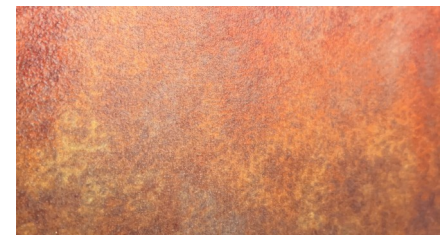
PSF006 (WOOD#6)



PSF007 (STONE #1)



PSF008 (STONE #2)



PSF009 (METAL #1)

NOTE: A minimal impact to lead times will apply to products specified with Premium Stock Finishes (PSF). It is not to be assumed that these finishes are stocked in our warehouse, but rather, are readily available to us for your project.

All other custom finishes (PO) will incur a set up fee and will add an extended lead time to your project.

SPECIFICATIONS

Housing

Nominal 2.0" x 3.5" x .075" thick housing of continuous extruded 6063 T5 aluminum.

Color

Colors for the housing are available in a powder coated white, black, silver and woodgrain with end cap to match. Consult factory for custom colors.

Luminaire Length

2', 4', 6' or 8' lengths are available for a single stand-alone section. Using internal joiners, these sections can be joined to form longer rows.

End Caps

Injection molded flat end caps are mechanically attached with no exposed fasteners to enhance architectural aesthetic and prevent light leak.

Source

Lumen packages are available in four color temperature options (3000K, 3500K, 4000K and 5000K) — all within 3 MacAdam ellipses.

Certification

Intertek cETLus Listed. RoHS (Restriction of Hazardous Substances) and Buy American Act compliant.

Battery

Philips Bodine lithium ion battery providing up to 780lm (6W) or up to 1300lm(10W) for 90 minutes. UL924 listed. Class 2 compliant. Meets Title 20 CEC (California Energy Commission) efficiency standards.

Lensing

0.080" thick impact resistant acrylic lensing.

Environment

Suitable for dry and damp locations.
Operating temp.: -40°C to +50°C
-40°F to +122°F

Dimming Driver (Integral Driver)

Universal Lighting Technologies (ULT) Everline series of LED drivers allows tunable output currents to achieve infinite configurations of output. UL Class 2 recognized. 0-10v interface can be wired as Class 1 or Class 2 circuit. Included 2.5kw ring and wave overcurrent protection, isolation of each individual output and a fully potted driver to protect from heat and vibration. Power factor <.93

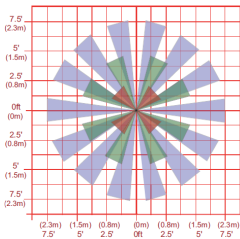
Packaging

Sustainably manufactured outside cardboard box and biodegradable, protective poly-foam luminaire inserts.

CONTROL

Sensor

Wattstopper FS-205 v2 Low Voltage PIR. Integrated photosensor for hold-off daylighting control. 24VDC operating voltage. Adjustable time delay (30 seconds to 30 minutes).



Wireless Node



WARRANTY

5-year limited warranty. Complete warranty terms can be located at:

http://www.starteklightingamerica.com/images/pdf/warranty/Beam_Series_Warranty.pdf

Note: Actual performance may differ as a result of installation environment and final application. All values are design or typical values, measured under laboratory conditions, at 25°C (77°F) .

COMPANION PRODUCTS

Slim Beam Direct/Indirect



Slim Beam Surface Mount



Recessed Slim Beam

