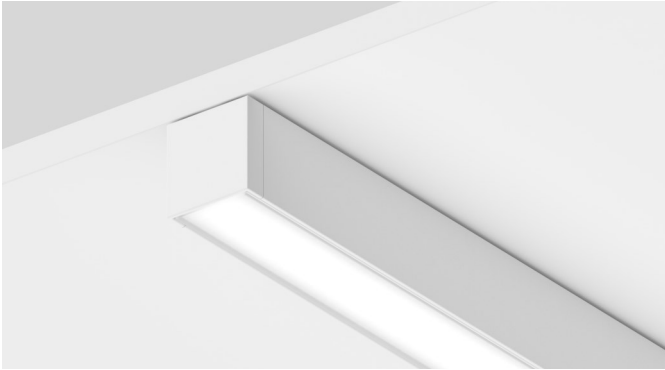
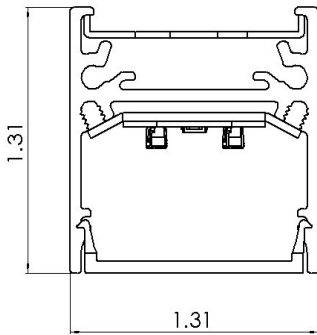


Type:	
Project:	
REP/Agent:	
Order #:	

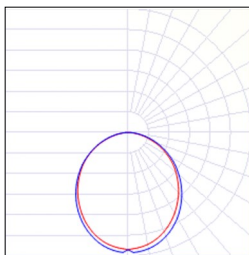
MICRO BEAM SURFACE MOUNT



DIMENSIONS



DISTRIBUTION



SD= SatinIce Diffuse

FEATURES

- ★ Soft diffused direct illumination in a sleek, modern, minimalist style
- ★ Continuous lensing standard– runs up to 200'
- ★ Extruded aluminum single piece housing
- ★ 2', 4', 6' and 8' individual units, or continuous rows
- ★ Light levels can be set to any combination at the factory
- ★ Textured powder coat finishes available in white, black and silver
- ★ Premium finishes also available
- ★ Approved for dry and damp locations
- ★ 0-10v dimming is standard
- ★ Dim to 1% of output current is standard
- ★ Class 2 output for luminaire
- ★ 120-277V power enclosure
- ★ Three remote driver options; surface mount, in-wall or powered ceiling canopy

LUMEN PACKAGES

MODEL	LUMENS	WATTS	LPW
MBEAMD-4-1000-SD-35K-80-SM-U	4,000	40	98
MBEAMD-8-1000-SD-35K-80-SM-U	8,000	78	102



Type:	
Project:	
REP/Agent:	
Order #:	

MICRO BEAM SURFACE MOUNT

MBEAMD			
SERIES	LENGTH	LUMENS/FOOT	DISTRIBUTION
MBEAMD	xx = Run Length Sxx = Symmetric Run Length _x_RECT = Rectangle _x_L = L-Shape _x_x_U = U-Shape	350 = 350 LPF 500 = 500 LPF 750 = 750 LPF 1000 =1000 LPF XXX = Custom LPF	SD = SatinIce Diffuse

CCT	CRI	FINISH	MOUNTING	POWER OPTIONS (See Page 4 for Power Ratings)
27K = 2700K 30K = 3000K 35K = 3500K 40K = 4000K 50K = 5000K	80 = 80 90 = 90 <i>(R9 50 min)</i>	<u>STANDARD</u> PW = Powder Coat White PB = Powder Coat Black PS = Powder Coat Silver <u>PREMIUM</u> RALxxxx = Powder Coat RAL xxxx (Gloss Finish) PSFx = Prem Stock Finish <u>CUSTOM</u> PO = Powder Other See pg. 9 for standard and premium options.	<u>T-GRID¹</u> TB1 = 9/16" Grid TB2 = 15/16" Grid TB3 = 9/16" Grid (Tegular) TB4 = 15/16" Grid (Tegular) <u>SURFACE</u> SM = Surface Mount	<u>REMOTE SURFACE MOUNT DRIVER ENCLOSURE</u> CRSW = Remote Surface Mount Driver Enclosure (White) CRSB = Remote Surface Mount Driver Enclosure (Black) <u>REMOTE IN-WALL DRIVER ENCLOSURE</u> CRWW = Remote In-Wall Driver Enclosure (White) CRWB = Remote In-Wall Driver Enclosure (Black) <u>REMOTE IN CEILING</u> CRICW = Remote in ceiling (White) CRICB = Remote in ceiling (Black) <u>PLENUM REMOTE IN CEILING</u> CPRICW = Plenum remote in ceiling (White) CPRICB = Plenum remote in ceiling (Black)

VOLTAGE	OPTIONS
U = 120-277V	<u>BATTERIES</u> #EMB6 =6W EM Battery #EMB10 =10W EM Battery <u>SENSORS</u> AWN-R = Lutron Athena Wireless Node (RF only) - White Finish AWN-B = Lutron Athena Wireless Node (RF only) - Black Finish

¹ Only available with Remote In-Wall & Remote Surface Mount Driver

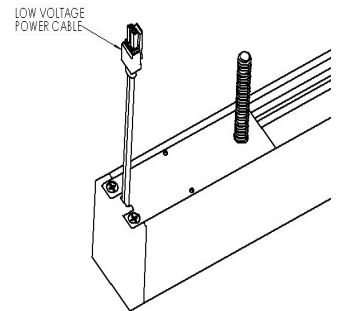
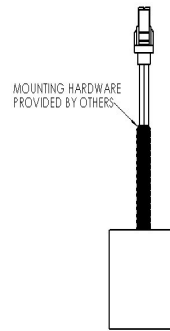
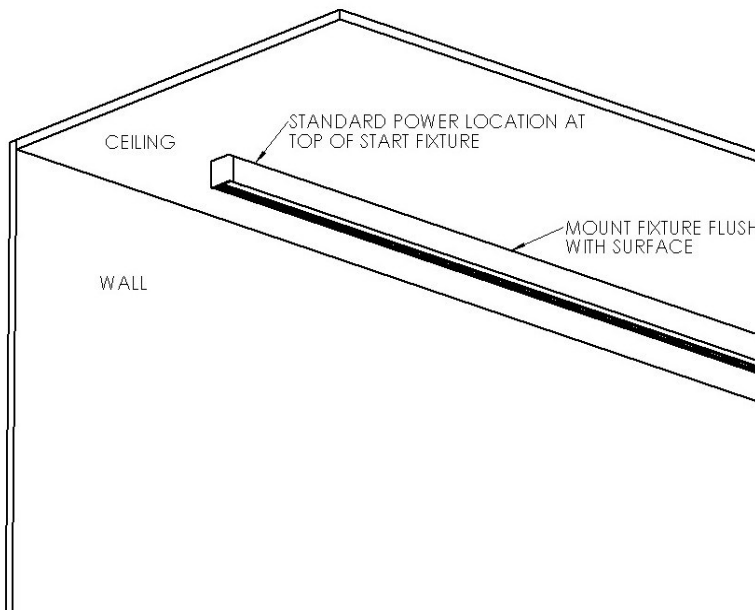
EXAMPLE: MBEAMD-4-750-SD-35K-90-PW-SM-U-PCW-1C-1EMB10

Type:	
Project:	
REP/Agent:	
Order #:	

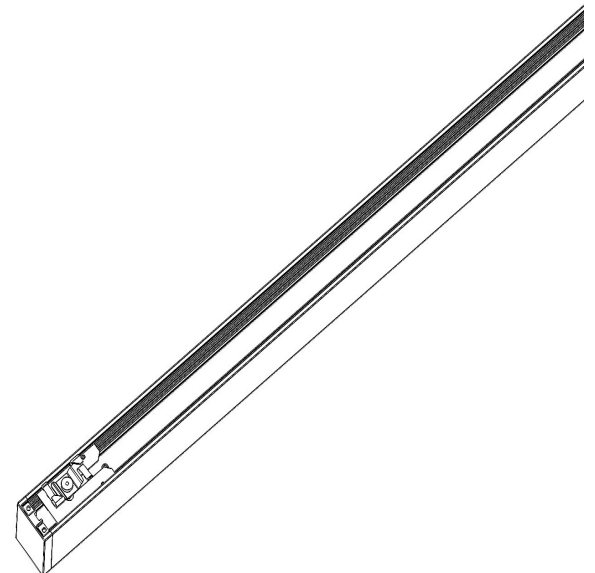
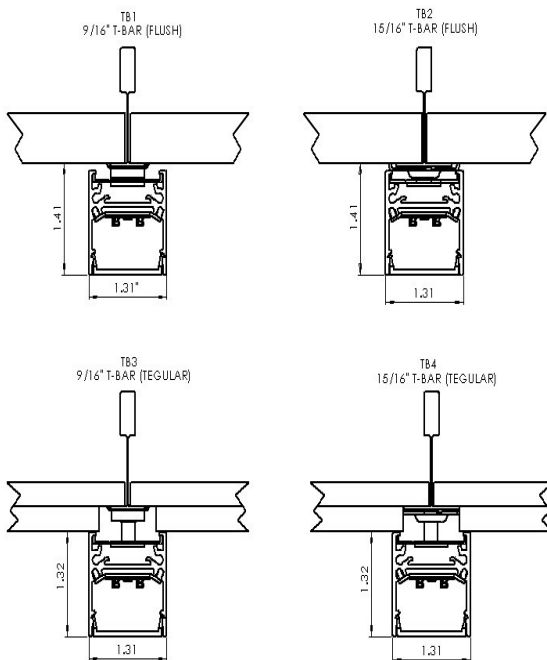
MICRO BEAM SURFACE MOUNT

MOUNTING OPTIONS

Surface Mount



T-Grid Options



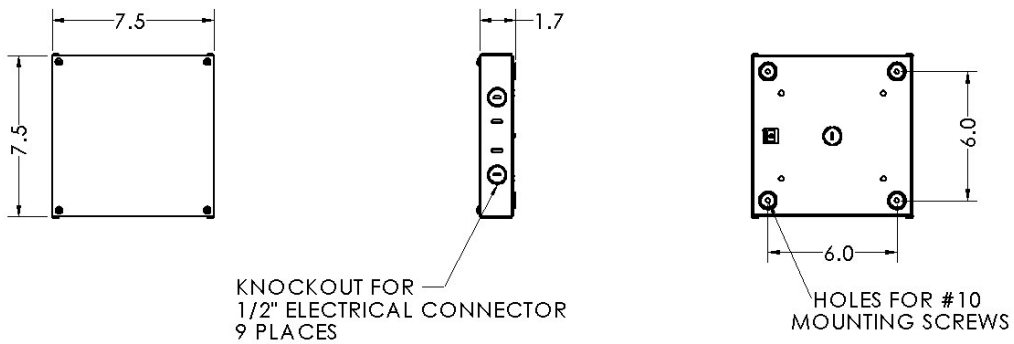
POWER OPTIONS:

Enclosures can contain up to two 55 Watt, Class P, 0-10 Constant Current Drivers with Short Circuit & Over Temperature Protection and Smooth Dimming to 1%.

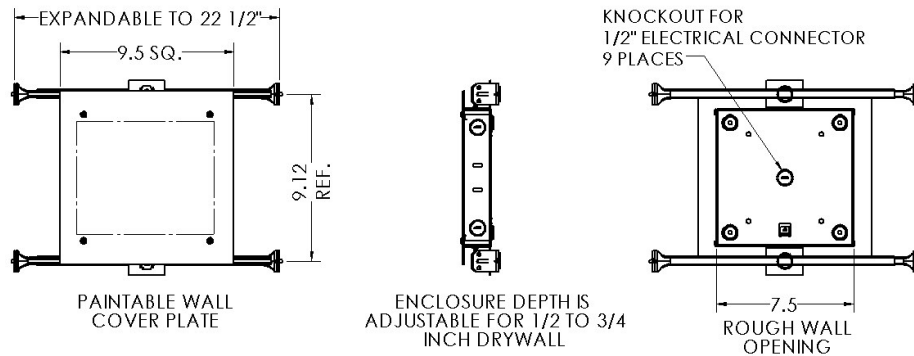
POWER OPTION RATINGS

Voltage (Vac)	Max Output Voltage (Vdc)	Max Wattage (W)	Frequency (Hz)
120-277	56	110	50/60

CRSx (Remote Surface Mount)



CRIWx (Remote In-wall)



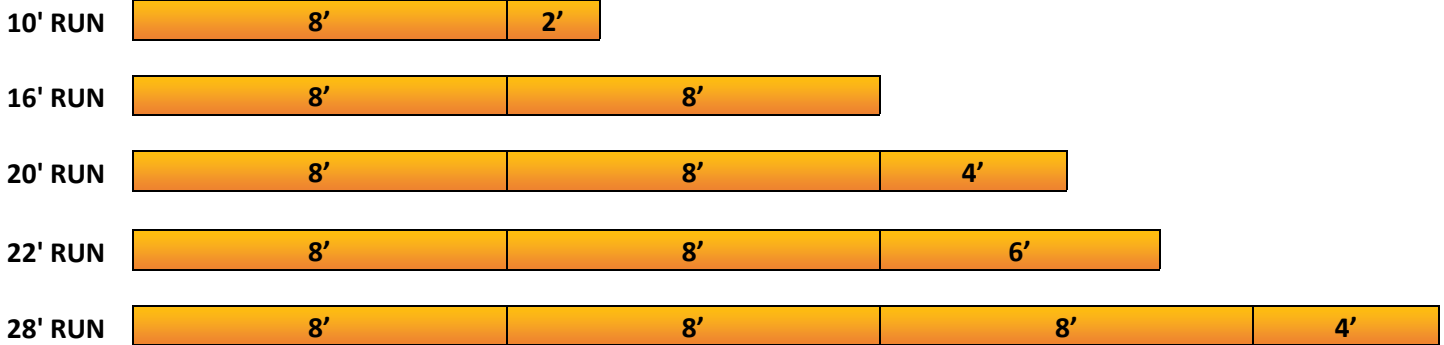
MICRO BEAM SURFACE MOUNT

ROW CONFIGURATIONS

xx (Run Length)

The standard construction of run lengths is to build with as many 8' sections as possible and finish the run with a shorter length fixture if necessary.

Examples of the standard construction of runs over 8' are as follows:

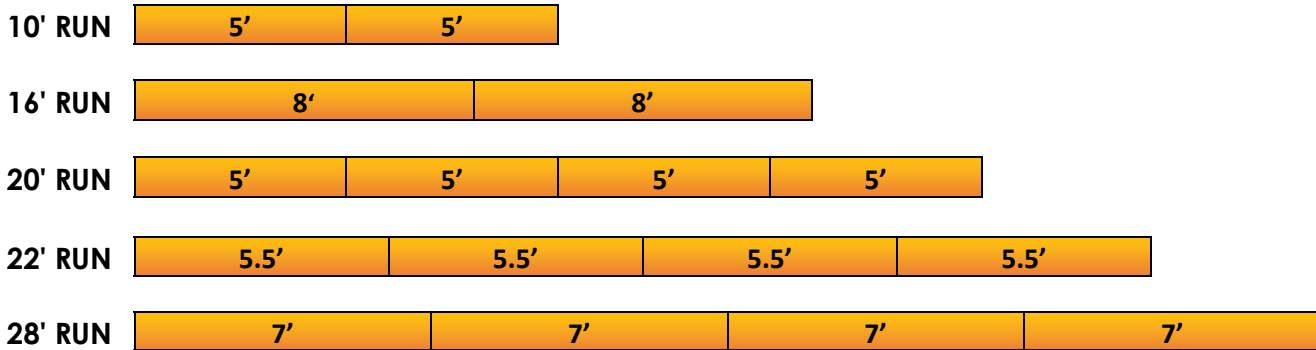


NOTE: Fixtures in continuous runs are available in 6" increments.

SRxx (Symmetric Run)

The construction of SRxx is to build with equal length fixtures. Please indicate this on your P.O. when placing your order.

Examples of symmetric construction of runs over 8' are as follows:

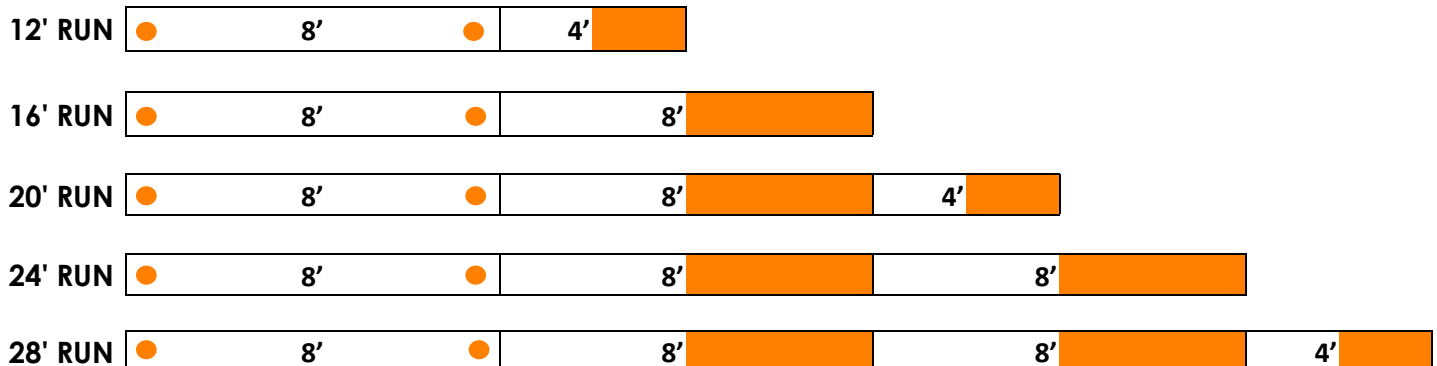


NOTE: Fixtures in continuous runs are available in 6" increments.

MOUNTING LOCATIONS

Each starter or individual fixture will be provided with (2) mounting supports (●). Each additional fixture will be provided with (1) support which can be located anywhere along the 2nd half of the fixture (highlighted below):

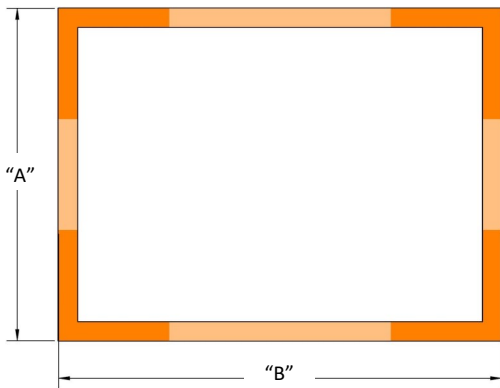
Examples of continuous run mounting locations are as follows:



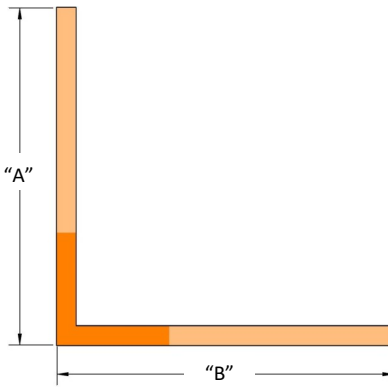
JOINT SHAPE CONFIGURATION WITH MITER CUTS

We provide joint configurations in the stock size of 24" X 24" as shown below.

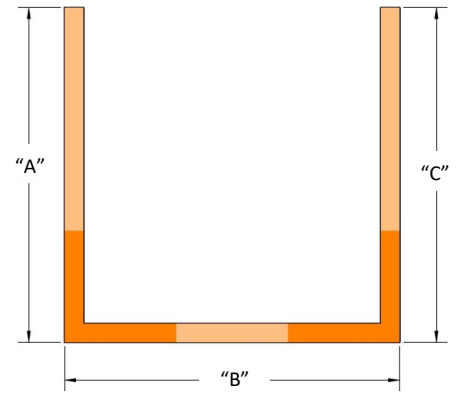
_x_RECT
Rectangle
Supply AxB dimensions



_x_L
L-Shape
Supply AxB dimensions



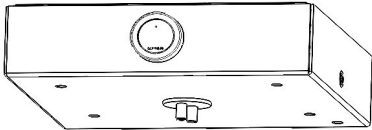
_x_x_U
U-Shape
Supply AxBxC dimensions



OPTIONS

Sensor

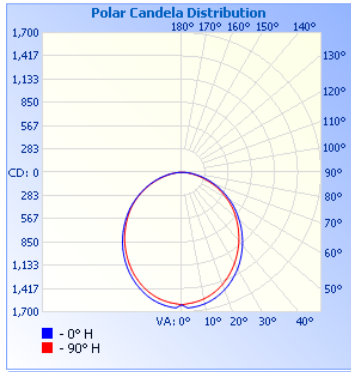
Features • Enables individual, wireless control of each fixture in an Athena control system. Accommodates zone and control changes without rewiring. • Typically installed at OEM factory – no wiring required on-site. Fixture is ready to communicate wirelessly once power is connected.



Athena Wireless Node RF Only (Black)

PERFORMANCE

MBEAMD-X-1000-SD (80+ CRI)



Zonal Lumen Summary

Zone	Lumens	% Luminaire
0-30	1227.4	28.3%
0-40	1984.3	45.8%
0-60	3435.2	79.3%
60-90	898.1	20.7%
70-100	382.5	8.8%
90-120	0	0%
0-90	4333.3	100%
90-180	0	0%
0-180	4333.3	100%

Model	Lumens	Watts	LPW
MBEAMD-4-1000-SD-27K-80-SM-U	4000	45	88
MBEAMD-4-1000-SD-30K-80-SM-U	4000	43	93
MBEAMD-4-1000-SD-35K-80-SM-U	4000	40	98
MBEAMD-4-1000-SD-40K-80-SM-U	4000	40	100
MBEAMD-4-1000-SD-50K-80-SM-U	4000	39	101

Model	Lumens	Watts	LPW
MBEAMD-8-1000-SD-27K-80-SM-U	8000	86	92
MBEAMD-8-1000-SD-30K-80-SM-U	8000	82	97
MBEAMD-8-1000-SD-35K-80-SM-U	8000	78	102
MBEAMD-8-1000-SD-40K-80-SM-U	8000	76	104
MBEAMD-8-1000-SD-50K-80-SM-U	8000	76	105

Luminance Data (cd/sg.m)			
Angle in Degrees	Average 0-DEG	Average 45-Deg	Average 90-Deg
45	38908	37508	36548
55	37012	35568	34838
65	34443	32866	31959
75	31102	29125	26942
85	27230	23857	19189

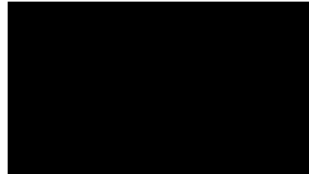
Candela Distribution					
	0	22.5	45	67.5	90
0	3315	3315	3315	3315	3315
5	2461	2362	2544	2867	3249
10	1619	1584	1855	2417	3199
15	1122	1127	1371	1981	3108
20	762	793	1040	1607	2974
25	426	479	777	1303	2803
30	278	301	529	1063	2582
35	186	203	344	857	2315
40	98	118	231	680	2002
45	39	51	152	512	1664
50	13	12	78	371	1328
55	12	11	25	245	1014
60	11	10	13	155	748
65	11	9	12	79	526
70	10	9	11	27	358
75	9	8	10	22	230
80	9	8	10	19	135
85	8	7	9	17	66
90	8	6	8	15	25

FINISHES

STANDARD FINISHES



WHITE MINI TEXTURE



BLACK MINI TEXTURE

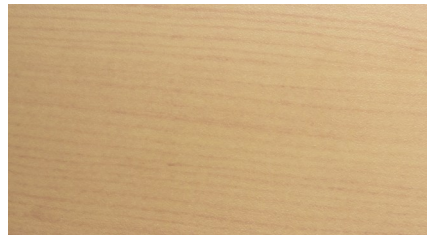


SILVER SPARKLE TEXTURE

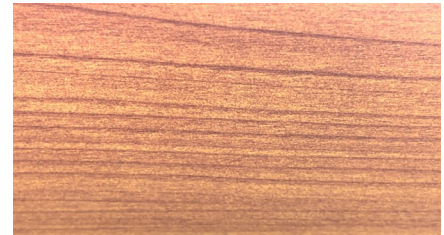
PREMIUM STOCK FINISHES



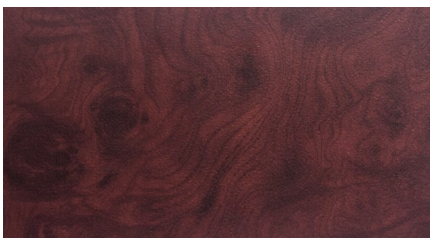
PSF001 (WOOD#1)



PSF002 (WOOD#2)



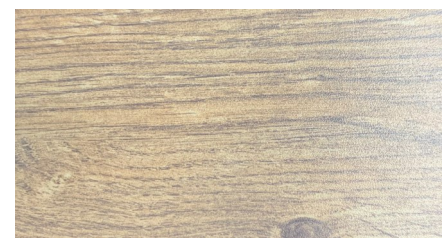
PSF003 (WOOD#3)



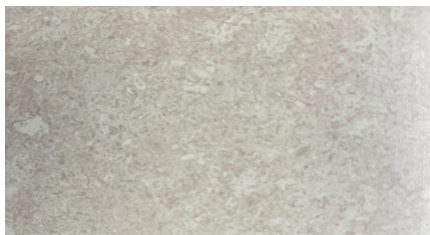
PSF004 (WOOD#4)



PSF005 (WOOD#5)



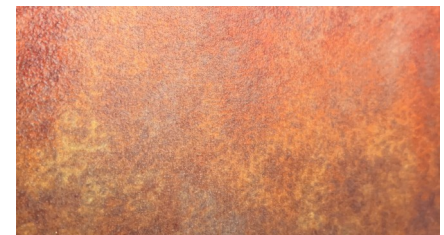
PSF006 (WOOD#6)



PSF007 (STONE #1)



PSF008 (STONE #2)



PSF009 (METAL #1)

NOTE: A minimal impact to lead times will apply to products specified with Premium Stock Finishes (PSF). It is not to be assumed that these finishes are stocked in our warehouse, but rather, are readily available to us for your project.

All other custom finishes (PO) will incur a set up fee and will add an extended lead time to your project.

SPECIFICATIONS

Housing	Source	Environment
Color	Certification	Dimming Driver
Luminaire Length	Battery	Packaging
End Caps	Lensing	

CONTROL

COMPANION PRODUCTS

Micro Beam Surface Mount

Recessed Micro Beam

WARRANTY

5-year limited warranty. Complete warranty terms can be located at:

http://www.starteklightingamerica.com/images/pdf/warranty/Micro_Beam_Series_Warranty.pdf

Note: Actual performance may differ as a result of installation environment and final application. All values are design or typical values, measured under laboratory conditions, at 25°C (77°F).