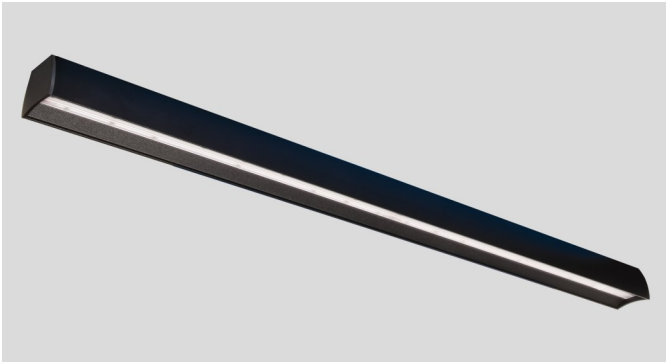


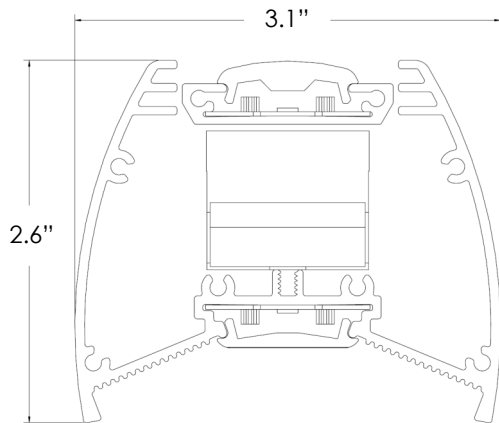
VIBE DIRECT/INDIRECT



Type:	
Project:	
REP/Agent:	
Order #:	



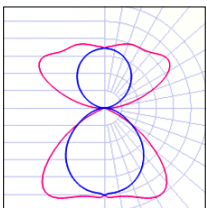
DIMENSIONS



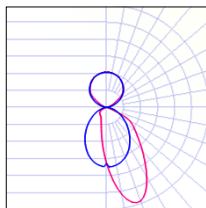
FEATURES

- ★ Aisle/ Stack Lighting
- ★ Tight optical control from beam shaping optics
- ★ Regressed light source to minimize glare
- ★ Extruded aluminum single piece housing
- ★ 2', 4', 6' and 8' individual units, or continuous rows
- ★ Straight runs with proprietary joiner design
- ★ Direct and Indirect light levels can be set to any combination at the factory
- ★ Efficacy up to 142 lm/W
- ★ Textured powder coat finishes available in white, black and silver
- ★ Driver removable from top side of fixture
- ★ Approved for dry and damp locations
- ★ 0-10v dimming is standard
- ★ Dim to 1% of output current is standard
- ★ 90 CRI (R9 50min) available
- ★ CA Title 24 / JA8 installation compatible

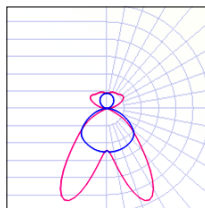
DISTRIBUTIONS



Direct: WD= Wide Diffuse
Indirect: BW= Batwing



Direct: WW= Wall Wash
Indirect: CL= Clear Lens



Direct: Aisle= Narrow Batwing
Indirect: BW= Batwing

LUMEN PACKAGES

Based on 3500K CCT. Other CCT available.

MODEL	LUMENS	INPUT WATTS	Lm/W
VIBEDI-4-1000-350-AISLE-BW-35K	5,400	43	126
VIBEDI-8-1000-350-AISLE-BW-35K	10,800	81	133



Type:	
Project:	
REP/Agent:	
Order #:	

VIBE DIRECT/INDIRECT

VIBEDI					
SERIES	LENGTH	DIRECT LUMENS PER FOOT	INDIRECT LUMENS PER FOOT	DIRECT DISTRIBUTION	INDIRECT DISTRIBUTION
VIBEDI	xx= Run Length Sxx= Symmetric Run Length	350= 350 LPF 500= 500 LPF 750= 750 LPF 1000= 1000 LPF XXX= Custom LPF	350= 350 LPF 500= 500 LPF 750= 750 LPF 1000= 1000 LPF XXX= Custom LPF	WD= Wide Diffuse WW= Wall Wash AISLE= Aisle (Narrow Batwing)	CL= Clear Lens BW= Batwing

CCT	CRI	FINISH	MOUNTING	VOLTAGE	ELECTRICAL
30K= 3000K 35K= 3500K 40K= 4000K 50K= 5000K	80= 80 90= 90 (R9.50 min)	STANDARD PW= Powder Coat White PB= Powder Coat Black PS= Powder Coat Silver PREMIUM RALxxxx= Powder Coat RAL xxxx CUSTOM PO= Powder Other See pg. 6 for options.	CABLES WITH CANOPY KITS ACW05= White Cord 5' ACW10= White Cord 10' ACB05= Black Cord 5' ACB10= Black Cord 10' CABLES WITH LOOPS ALW10= White Cord 10' ALB10= Black Cord 10' WALL MOUNT WM= Wall Mount STEM WITH CANOPY KITS STEMWxx= Stem White, xx" STEMBxx= Stem Black, xx"	U= 120-277 C= 347	1C= Single Circuit 2C= Separate D/I Circuits <i>(separate control of direct and indirect)</i> MC= Multiple Circuits <i>(multiple switch legs across run length)</i> EC= Emergency Circuit <i>(separate power drops for EC fixtures)</i> GTD= Generator Transfer Device

OPTIONS

SPECIALTY DRIVERS (Standard driver is 0-10V, dim to 1% output current)
DT1= eldoLED EcoDrive Dim to 1% (0-10V)
DTZ= eldoLED SoloDrive Dim to 0.1% (0-10V)
PSRD= Philips Sensor Ready (DALI) Driver
LDE1= Lutron Hi-Lume EcoSystem LED driver with Soft-on, Fade-to-Black

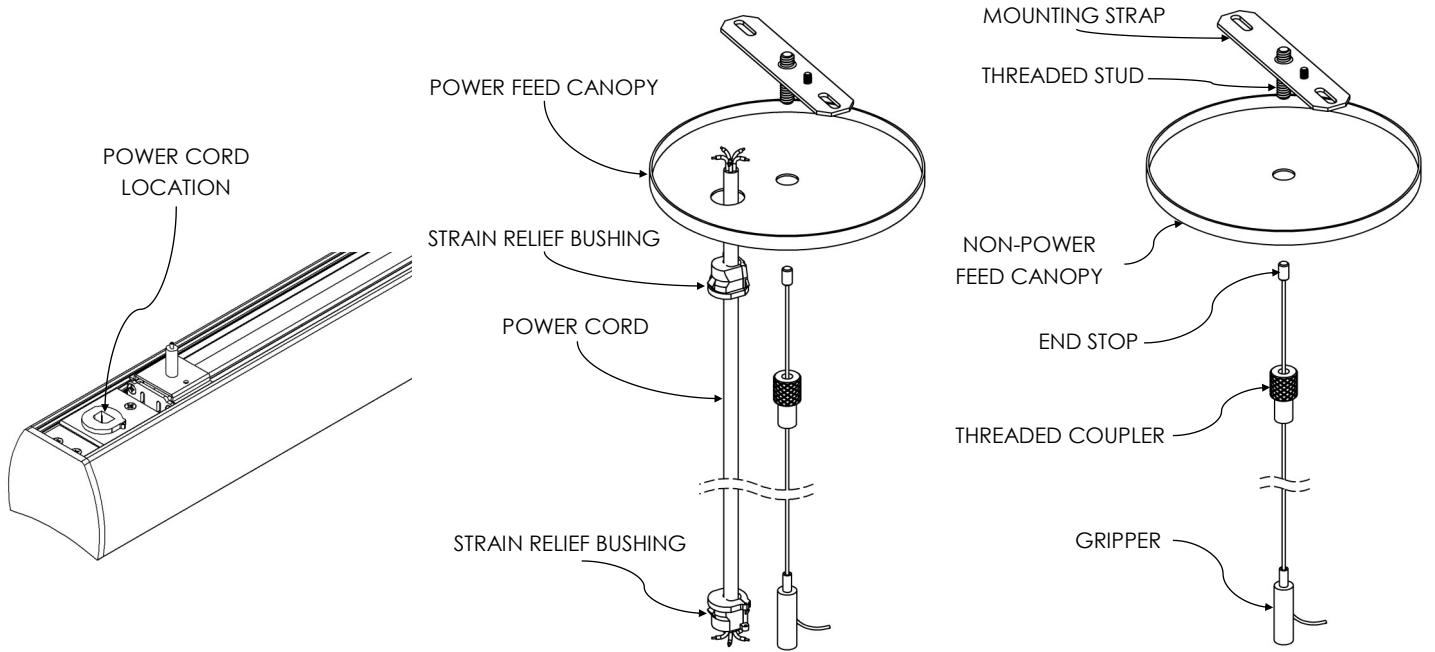
BATTERIES (# indicates quantity, not compatible with 2' fixtures)
#EMB6= 6W EM Battery (iota/Bodine)
#EMB10= 10W EM Battery (Iota/Bodine)

SENSORS
AWN-R= Lutron Athena Wireless Node (RF only)¹ – White Finish
AWN-B= Lutron Athena Wireless Node (RF only)¹ – Black Finish

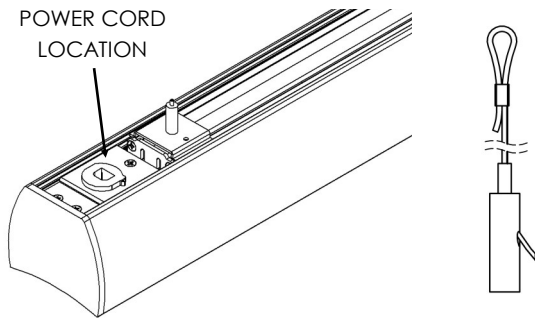
EXAMPLE: VIBEDI-40-500-750-WD-BW-35K-80-PW-ACW10-U-1C-1EMB10 ¹ D4i driver is standard

MOUNTING OPTIONS

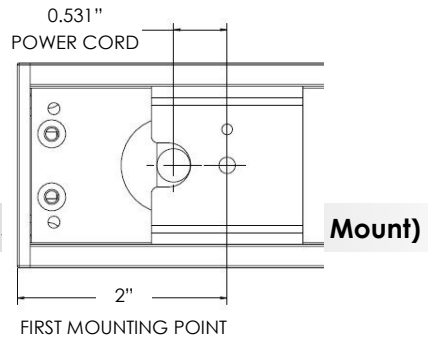
ACxxx (Aircraft Cable with Canopy) - Drywall, Solid, Tile (On-Grid), Tile (Off-Grid)



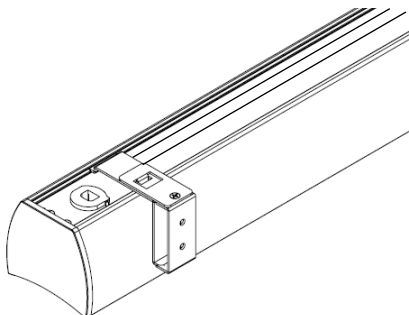
ALxxx (Aircraft Cable with Loops)



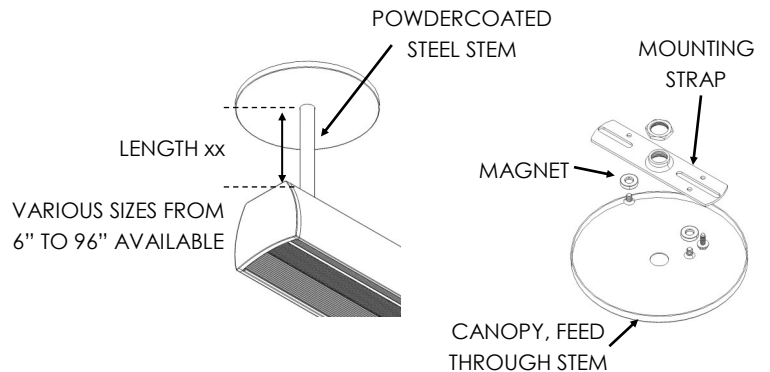
POWER CORD & FIRST MOUNT DETAIL



WM (Wall Mount)



STEMWxx, STEMBxx (Stem Mount)



ROW CONFIGURATIONS

xx (Run Length)

The standard construction of run lengths follows the logic of the table below. Consult factory for additional information.

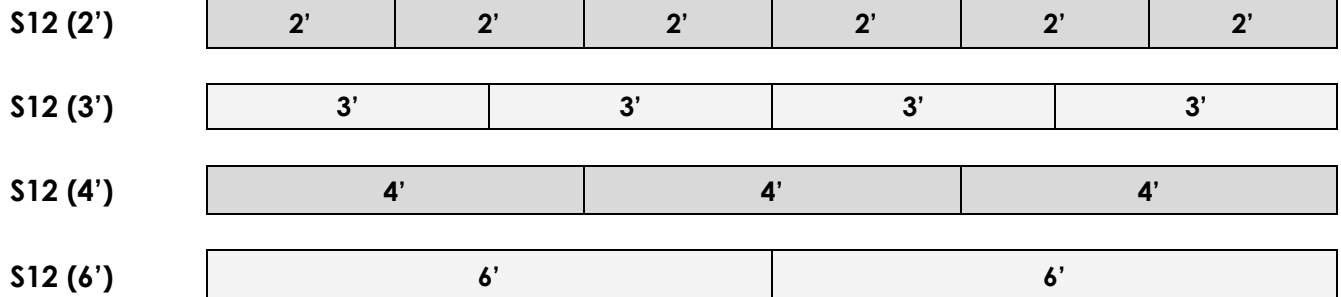
Run lengths always start with the longest fixture and receives the power feed.

		Total Length																																												
		2	3	4	5	6	7	8	9	10	11	12	13	14	15	16	17	18	19	20	21	22	23	24	25	26	27	28	29	30	31	32	33	34	35	36	37	38	39	40						
# of Sections	2	1																																												
	3		1																																											
	4			1					1	1	1	1						1	1	1	1					1	1	1	1					1	1	1	1									
	5				1				1				1					1				1				1				1					1				1							
	6					1				1				1				1				1				1				1					1				1							
	7						1				1				1				1				1				1				1					1				1						
	8							1				1	1	1	1	1	2	1	1	1	1	2	2	2	2	3	2	2	2	3	3	3	3	3	4	3	3	3	3	4	4	4	4	4	5	

NOTE: Fixtures in continuous runs are available in 6" increments. Consult factory for smaller increments.

Sxx (Symmetric Run)

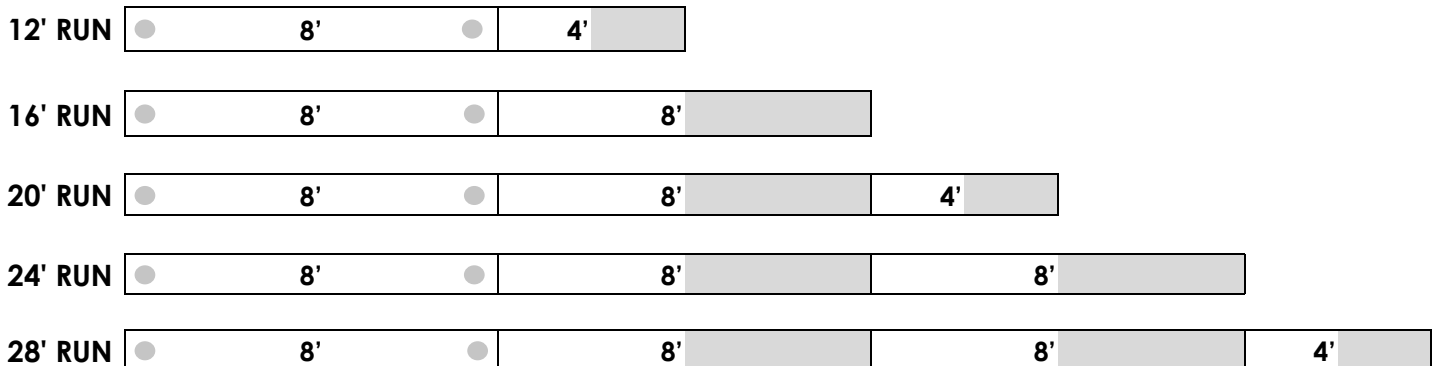
The construction of Sxx (y') is to build with equal length fixtures. The xx indicates the run length. The y' indicates the fixture length used to create the run. Please indicate this on your P.O. when placing your order.



MOUNTING LOCATIONS

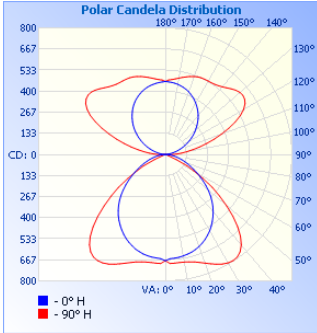
Each starter or individual fixture will be provided with (2) mounting supports (●). Each additional fixture will be provided with (1) support which can be located anywhere along the 2nd half of the fixture (highlighted below):

Examples of continuous run mounting locations are as follows:



PERFORMANCE

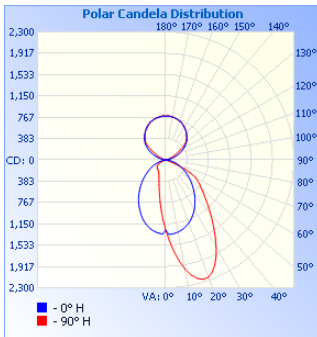
VIBEDI-X-500-500-WD-BW (80+ CRI)



Model	Lumens	Watts	LPW
VIBEDI-4-500-500-WD-BW-30K	4,000	32	125
VIBEDI-4-500-500-WD-BW-35K	4,000	31	128
VIBEDI-4-500-500-WD-BW-40K	4,000	31	131
VIBEDI-4-500-500-WD-BW-50K	4,000	30	135

Model	Lumens	Watts	LPW
VIBEDI-8-500-500-WD-BW-30K	8,000	61	132
VIBEDI-8-500-500-WD-BW-35K	8,000	59	135
VIBEDI-8-500-500-WD-BW-40K	8,000	58	138
VIBEDI-8-500-500-WD-BW-50K	8,000	56	142

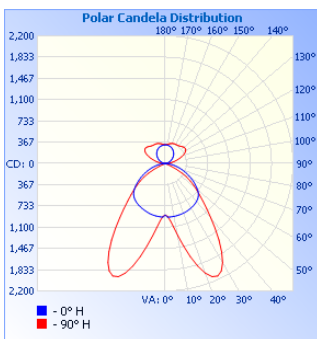
VIBEDI-X-750-500-WW-CL (80+ CRI)



Model	Lumens	Watts	LPW
VIBEDI-4-750-500-WW-CL-30K	5,000	41	122
VIBEDI-4-750-500-WW-CL-35K	5,000	40	125
VIBEDI-4-750-500-WW-CL-40K	5,000	39	128
VIBEDI-4-750-500-WW-CL-50K	5,000	38	132

Model	Lumens	Watts	LPW
VIBEDI-8-750-500-WW-CL-30K	10,000	78	129
VIBEDI-8-750-500-WW-CL-35K	10,000	76	132
VIBEDI-8-750-500-WW-CL-40K	10,000	74	135
VIBEDI-8-750-500-WW-CL-50K	10,000	72	139

VIBEDI-X-1000-350-AISLE-BW (80+ CRI)



Model	Lumens	Watts	LPW
VIBEDI-4-1000-350-AISLE-BW-30K	5,400	44	123
VIBEDI-4-1000-350-AISLE-BW-35K	5,400	43	126
VIBEDI-4-1000-350-AISLE-BW-40K	5,400	42	129
VIBEDI-4-1000-350-AISLE-BW-50K	5,400	41	133

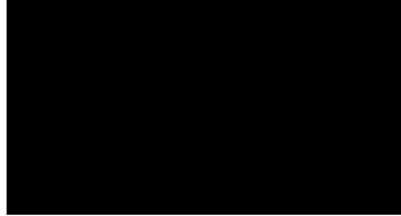
Model	Lumens	Watts	LPW
VIBEDI-8-1000-350-AISLE-BW-30K	10,800	83	130
VIBEDI-8-1000-350-AISLE-BW-35K	10,800	81	133
VIBEDI-8-1000-350-AISLE-BW-40K	10,800	79	136
VIBEDI-8-1000-350-AISLE-BW-50K	10,800	77	140

FINISHES

STANDARD FINISHES



WHITE MINI TEXTURE



BLACK MINI TEXTURE



SILVER SPARKLE TEXTURE

SPECIFICATIONS

Housing

Nominal 3" x 2 5/8" parabolic housing of continuous extruded 6063 T5 aluminum.

Color

Colors for the housing are available in a powder coated white, black and silver. Consult factory for custom colors.

Luminaire Length

2', 4', 6' or 8' lengths are available for a single stand-alone section. Using internal joiners, sections can be joined to form longer rows.

End Caps

Injection molded flat end caps are mechanically attached with no exposed fasteners to enhance architectural aesthetic and prevent light leak

Source

Lumen packages are available in four color temperature options (3000K, 3500K, 4000K and 5000K) — all within 3 MacAdam ellipses.

Certification

Intertek cETLus Listed. RoHS (Restriction of Hazardous Substances) and Buy American Act compliant.

Battery

Lithium ion battery providing up to 780lm(6W) or up to 1300lm(10W) for 90 minutes. UL924 listed. Class 2 compliant. Meets Title 20 CEC (California Energy Commission) efficiency standards.

Environment

Suitable for dry and damp locations.

Operating temp.: -40°C to +50°C
-40°F to +122°F

Dimming Driver

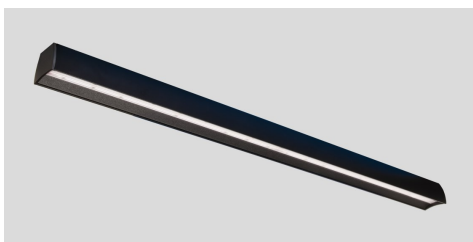
Universal Lighting Technologies (ULT) Everline series of LED drivers allows tunable output currents to achieve infinite configurations of output. UL Class 2 recognized. 0-10v interface can be wired as Class 1 or Class 2 circuit. Included 2.5Kw ring and wave overcurrent protection, isolation of each individual output and a fully potted driver to protect from heat and vibration. Power factor <.93

Packaging

Sustainably manufactured outside cardboard box and biodegradable, protective poly-foam luminaire inserts.

COMPANION PRODUCTS

Vibe Direct



WIRELESS NODE



WARRANTY

5-year limited warranty. Complete warranty terms can be located at:

http://www.starteklightingamerica.com/images/pdf/warranty/Vibe_Warranty.pdf

Note: Actual performance may differ as a result of installation environment and final application.

All values are design or typical values, measured under laboratory conditions, at 25°C (77°F) .