

INSTALLATION INSTRUCTIONS



THIS PRODUCT MUST BE INSTALLED IN ACCORDANCE WITH THE APPLICABLE INSTALLATION CODE BY A PERSON FAMILIAR WITH THE CONSTRUCTION AND OPERATION OF THE PRODUCT AND THE HAZARDS INVOLVED.
CE PRODUIT DOIT ETRE INSTALLE SELON LE CODE D'INSTALLATION PERTINENT, PAR UNE PERSONNE QUI CONNAIT BIEN LE PRODUIT ET SON FONCTIONNEMENT AINSI QUE LES RISQUES INHERENTS.
DISCONNECT POWER PRIOR TO ANY INSTALLATION.
DEBRANCHEZ LE COURANT AVANT TOUTE INSTALLATION.
CAP ALL WIRING CONNECTIONS WITH UL APPROVED WIRE CONNECTORS.
COUVRIR TOUTES LES CABLES AVE DES CONNECTIONS APPROUVES (UL).
VERIFY SUPPLY VOLTAGE MEETS LUMINAIRE LABEL SPECIFICATIONS.
VERIFIEZ QUE LA TENSION SOIT COMPATIBLE AVEC LES CARACTERISTIQUES DU LUMINAIRE MARQUE SUR LETIQUETTE.
ALLOW FIXTURE TO COOL BEFORE TOUCHING HEATSINK OR LIGHT SOURCE.
LAISSEZ LE PROJECTEUR REFOIDIR AVANT DE TOUCHER LE RADIATEUR OU LA SOURCE DE LUMIERE.
DO NOT ATTEMPT TO OPEN OR MAKE REPAIRS INSIDE LUMINAIRE.
NE PAS TENTER DOUVRIER OU DE FAIRE DES REPARATINS A L'INTERIEUR DU LUMINAIRE.
AVOID DIRECT VIEWING OF LIGHT SOURCE.
EVITEZ DE REGARDER DIRECTMENT LA SOURCE LUMINEUSE.
THIS PRODUCT MUST BE INSTALLED BY A QUALIFIED ELECTRICIAN.
CE PRODUIT DOIT ITRE INSTALLE PAR UN ELECTRICIEN QUALIFIE.
SUITABLE FOR UNDER-CABINET MOUNT.
ADAPTE POUR SOUS-CABINET MOUNT.
SUITABLE FOR DAMP LOCATION.
ADAOTE POUR DES ENDROITS HUMIDES.
SUITABLE FOR CONTINUOUS ROW MOUNTING.
ADAPTE POUR CONTINU ROW MONTAGE.



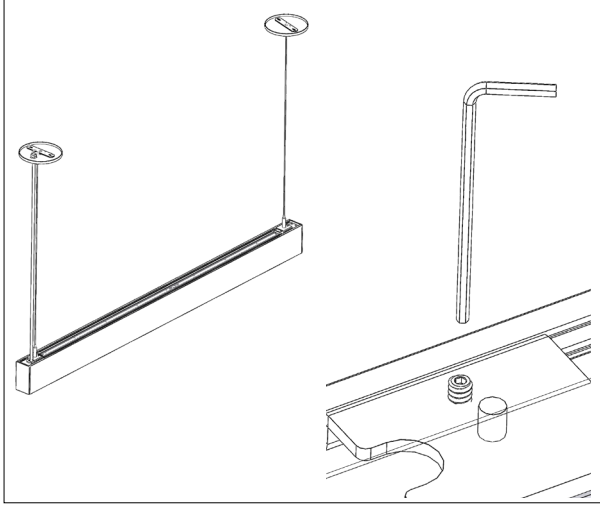
SLIM BEAM DI
BEAM DI
TALL BEAM DI

Note: All pictures shown are of the Slim Beam DI

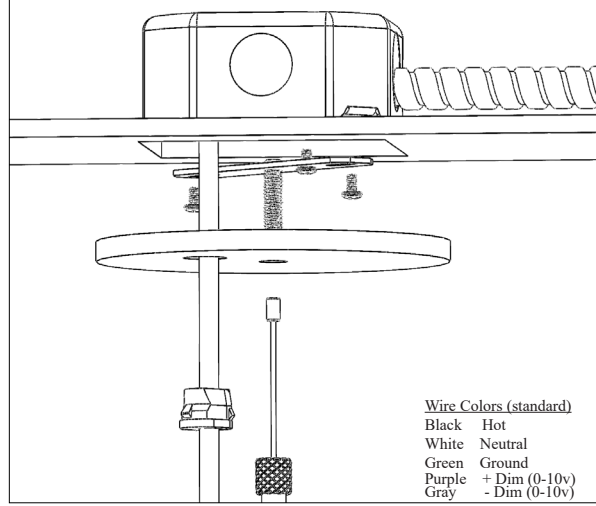
INSTALLATION INSTRUCTIONS

Individual Pendant Mount (ACxxx)

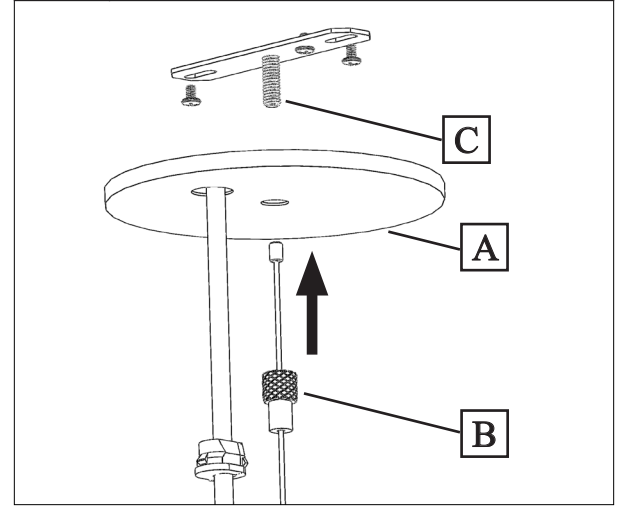
1 Power must be turned off prior to disconnecting or reconnecting fixture. Slide pendant mount into place, use set screw to lock it. Do not over-tighten as this can cause damage to fixture lens.



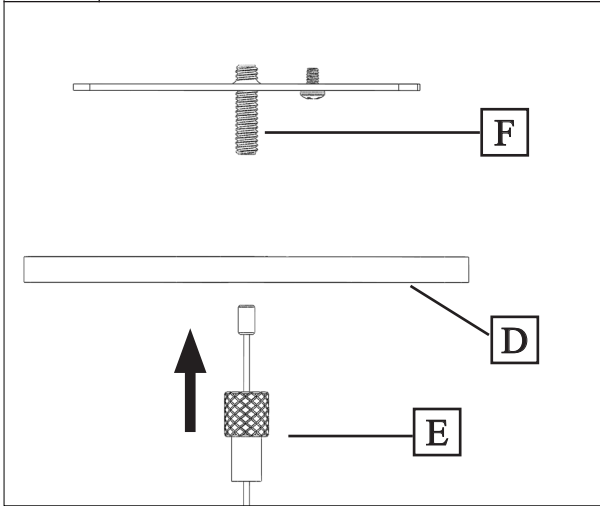
2 Locate ceiling mounting points according to supplied client drawing. Connect wire to building mains and then canopy to structure. Remove slack from cord attach strain relief to hole.



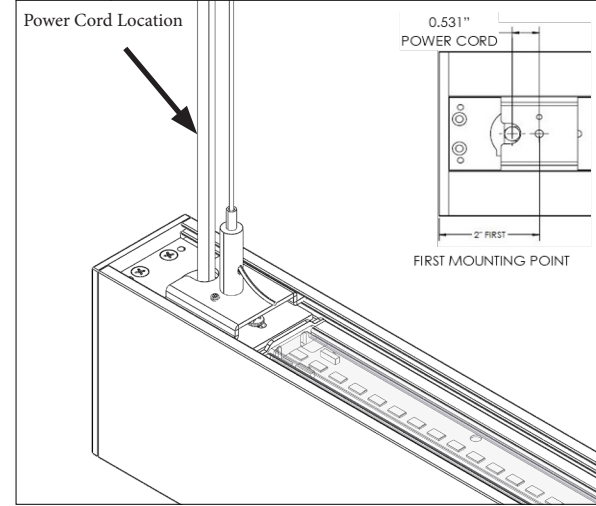
3 Power feed side. Secure canopy (A) with threaded coupler (B) on threaded stud (C)



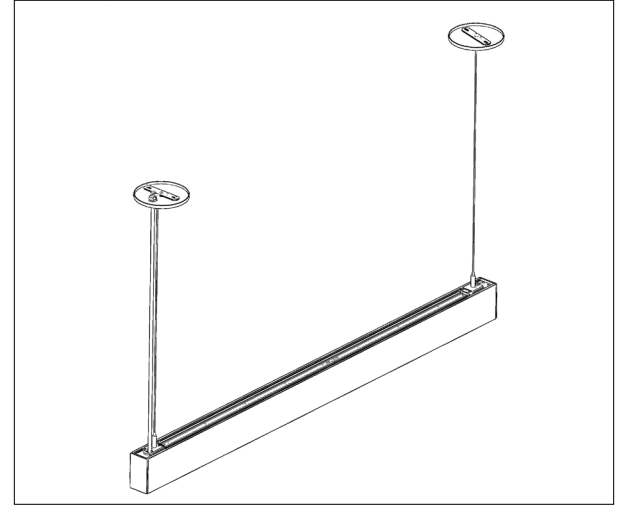
4 Non-power feed side. Secure canopy (D) with cable coupler (E) on threaded stud (F)



5 Level fixture by adjusting aircraft cable through grippers on both ends.



6 Restore power



INSTALLATION INSTRUCTIONS

Continuous Pendant Mount Cont. (ACxxx)

1 Power must be turned off prior to disconnecting or reconnecting fixture. Hang Starting fixture. Note starting fixture has 2 mounts. Slide pendant mount into place, use set screw to lock it. Do not overtighten.

2 Locate ceiling mounting points according to supplied client drawing. Connect wire to building mains and then canopy to structure. Remove slack from cord attach strain relief to hole.

Wire Colors (standard)
 Black Hot
 White Neutral
 Green Ground
 Purple + Dim (0-10v)
 Gray - Dim (0-10v)

3 Power feed side. Secure canopy (A) with threaded coupler (B) on threaded stud (C)

4 Non-power feed side. Secure canopy (D) with cable coupler (E) on threaded stud (F)

5 Level fixture by adjusting aircraft cable through grippers on both ends.

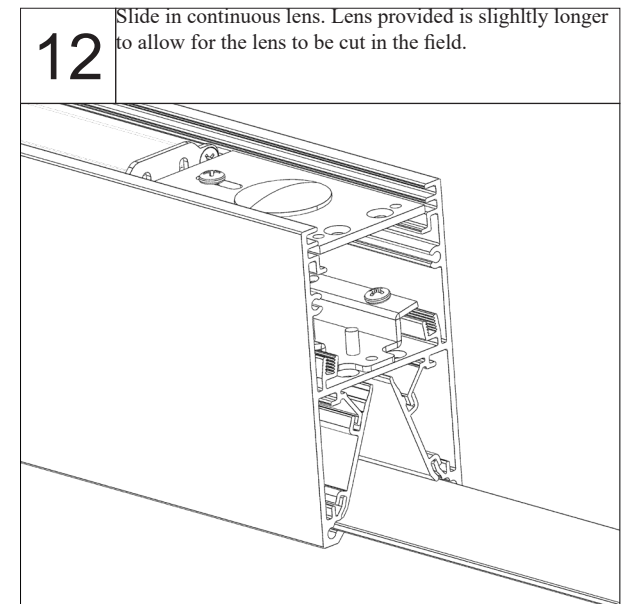
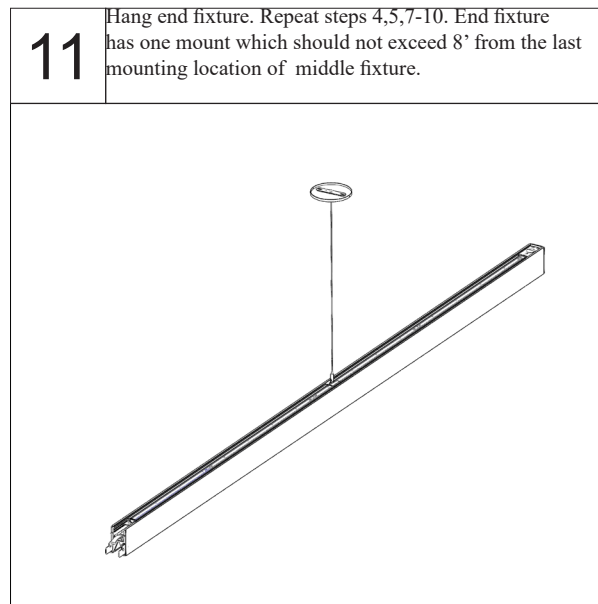
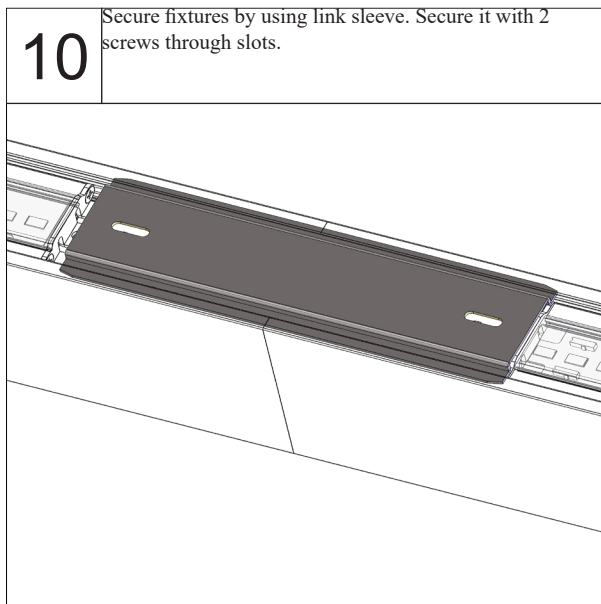
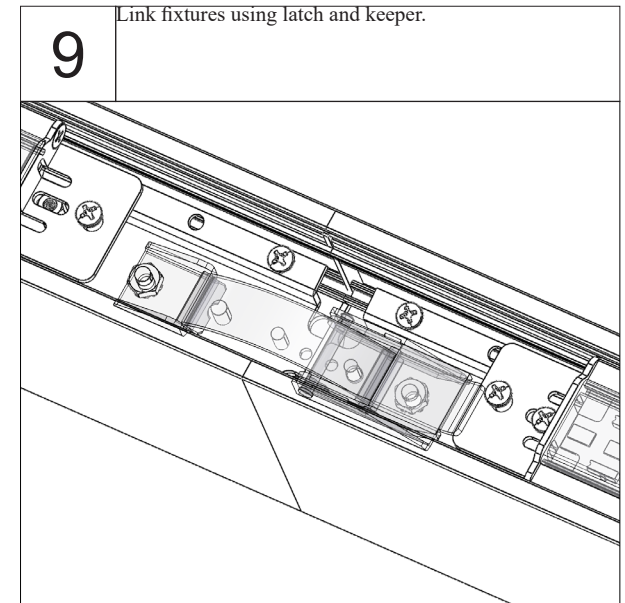
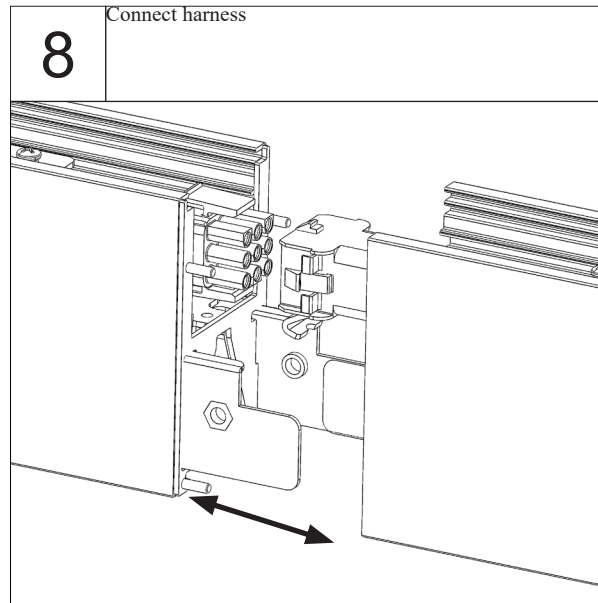
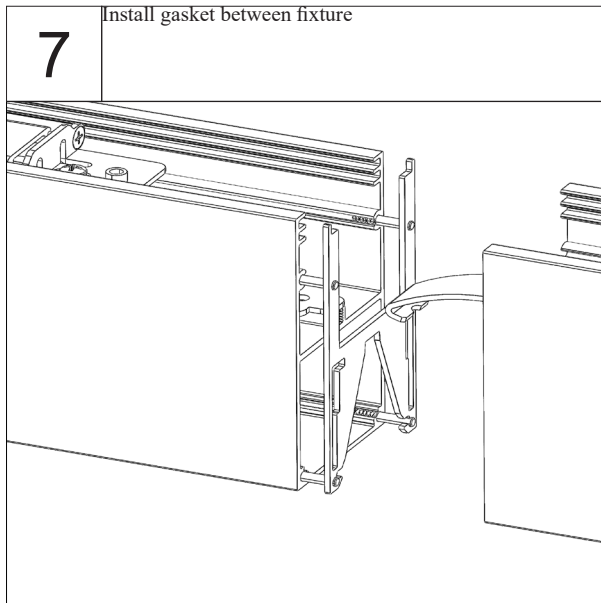
Power Cord Location

0.531"
POWER CORD
2" FIRST
FIRST MOUNTING POINT

6 Hang middle fixture. Repeat steps 4-5. Middle fixture has one mount which should not exceed 8' from the last mounting location of starting fixture.

INSTALLATION INSTRUCTIONS

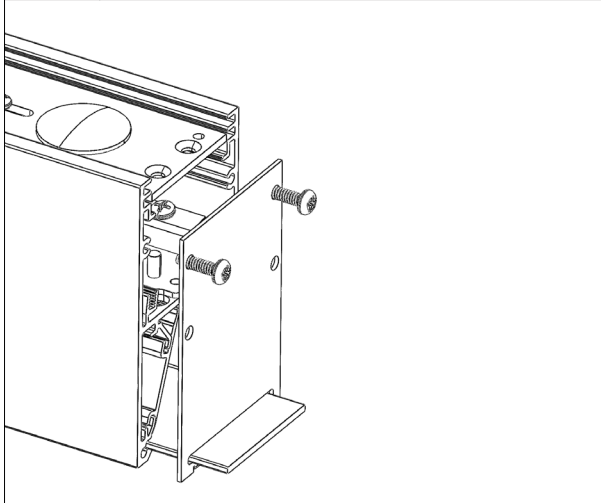
Continuous Pendant Mount Cont. (ACxxx)



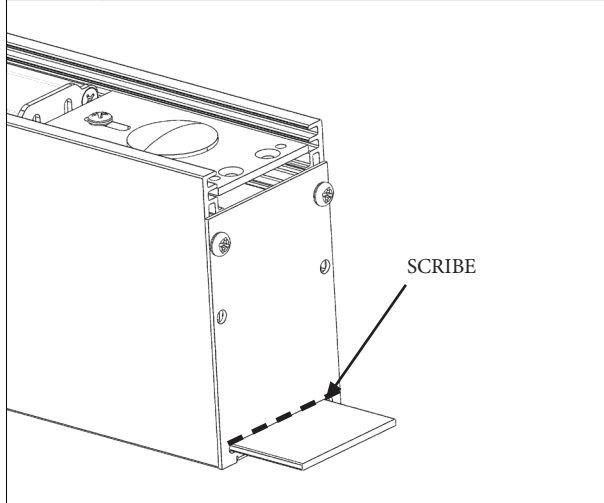
INSTALLATION INSTRUCTIONS

Continuous Pendant Mount Cont. (ACxxx)

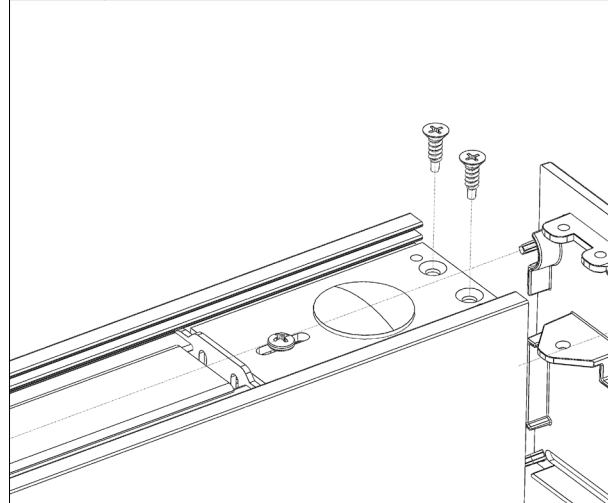
13 Slide lens cutting guide over extra length of lens and secure with 2 screws. Don't over tighten screws as the slots are used for the end cap.



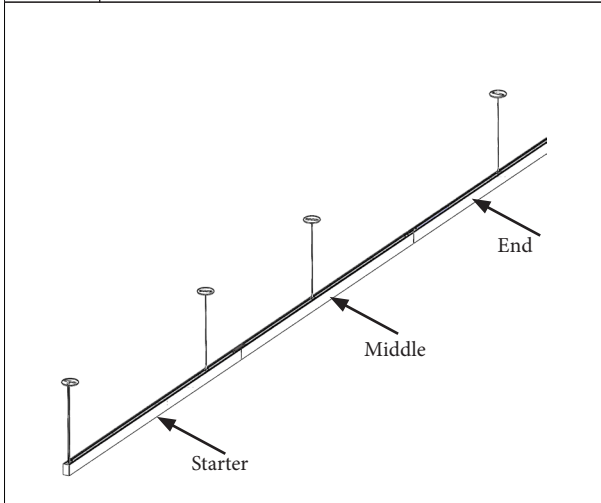
14 Scribe lens multiple times min of (10X). Apply pressure in upward direction to detach extra lens material. Remove lens cutting guide.



15 Install end cap with gasket on the end fixture with 2 screws.



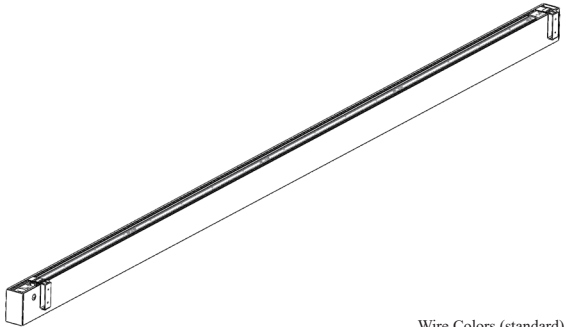
16 Restore power



INSTALLATION INSTRUCTIONS

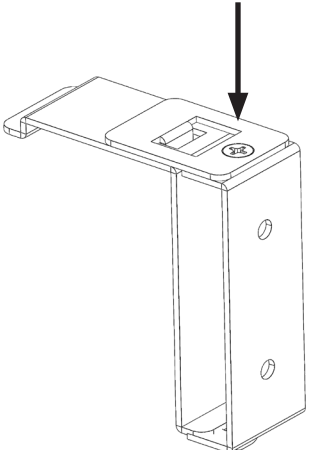
Individual Wall Mount (WM)

1 Power must be turned off prior to disconnecting or reconnecting fixture.

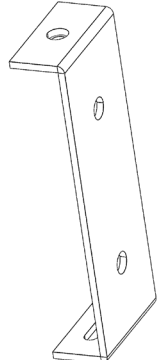


Wire Colors (standard)
 Black Hot
 White Neutral
 Green Ground
 Purple + Dim (0-10v)
 Gray - Dim (0-10v)

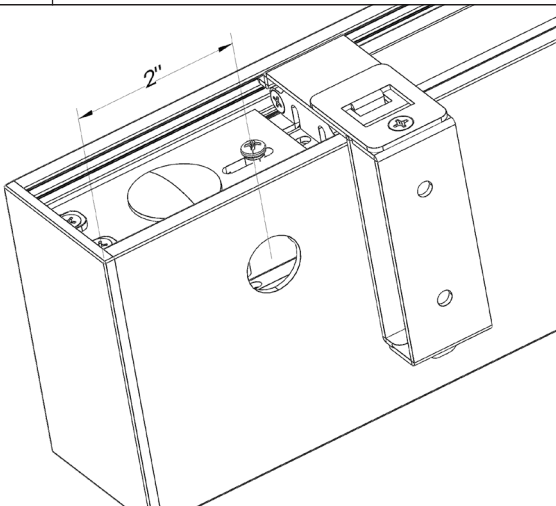
2 Remove top screw to release wall mount bracket.



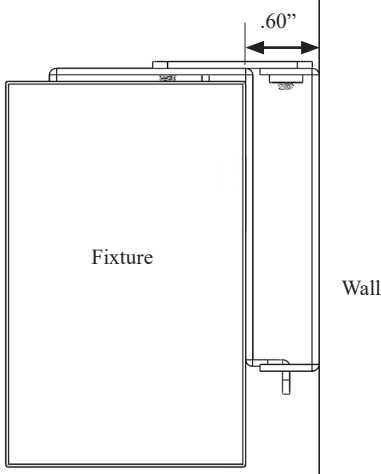
3 Locate mounting points according to supplied client drawing. Install brackets to wall.



4 Connect fixture wiring to line power.



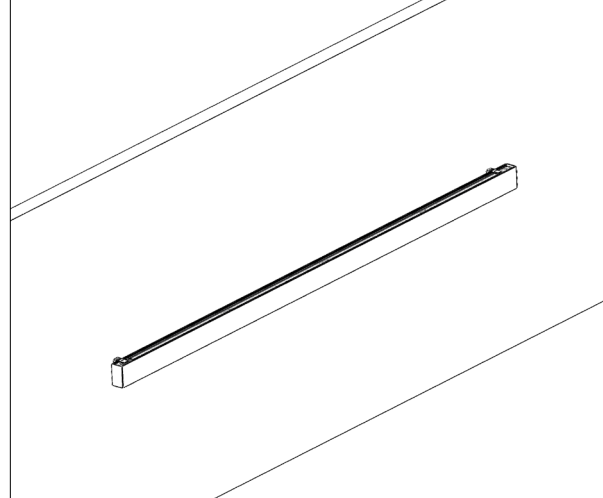
5



Fixture

Wall

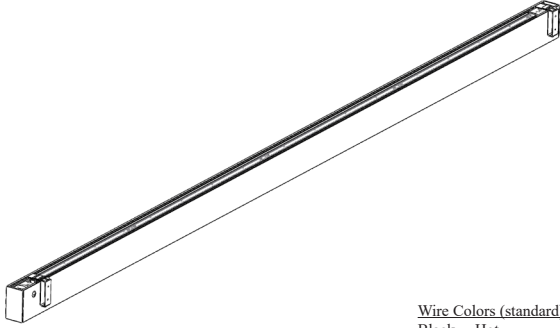
6 Restore power



INSTALLATION INSTRUCTIONS

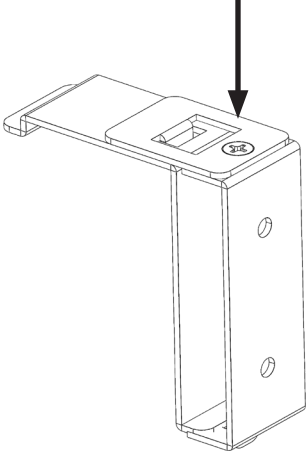
Continuous Wall Mount (WM)

1 Power must be turned off prior to disconnecting or re-connecting fixture. Hang starting fixture. Note all fixtures have 2 mounts.

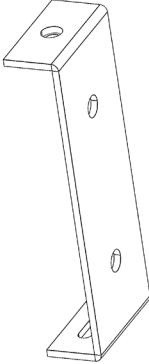


Wire Colors (standard)
 Black Hot
 White Neutral
 Green Ground
 Purple + Dim (0-10v)
 Gray - Dim (0-10v)

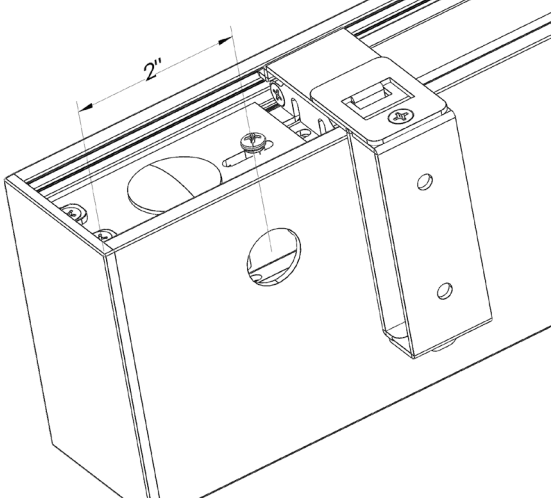
2 Remove top screw to release wall mount bracket.



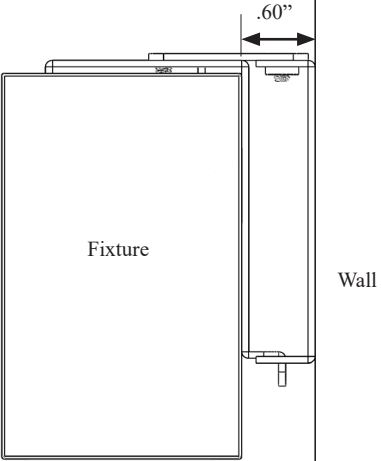
3 Locate mounting points according to supplied client drawing. Install brackets to wall.



4 Connect fixture wiring to line power.



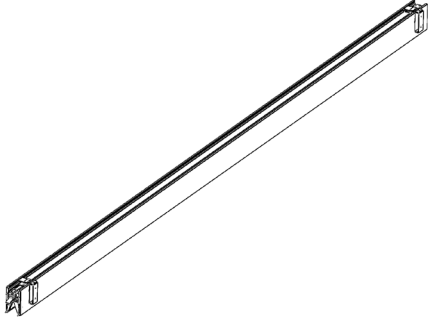
5



Fixture

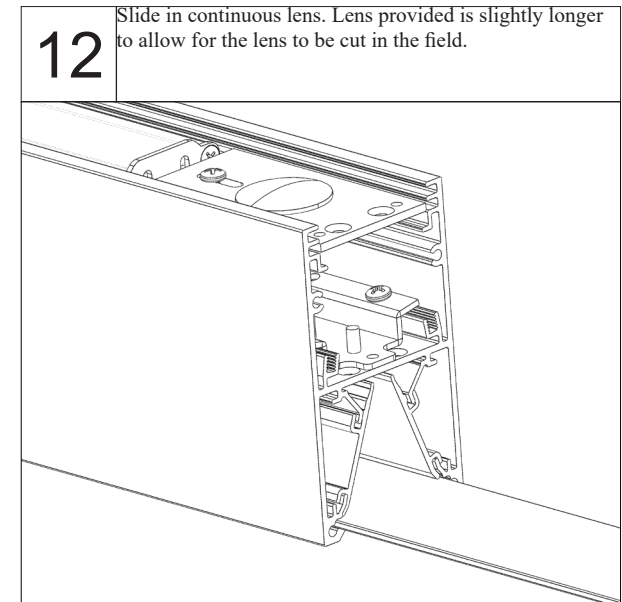
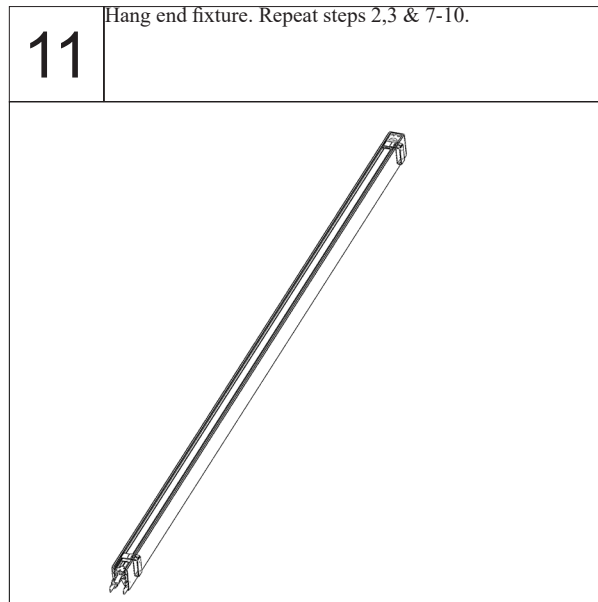
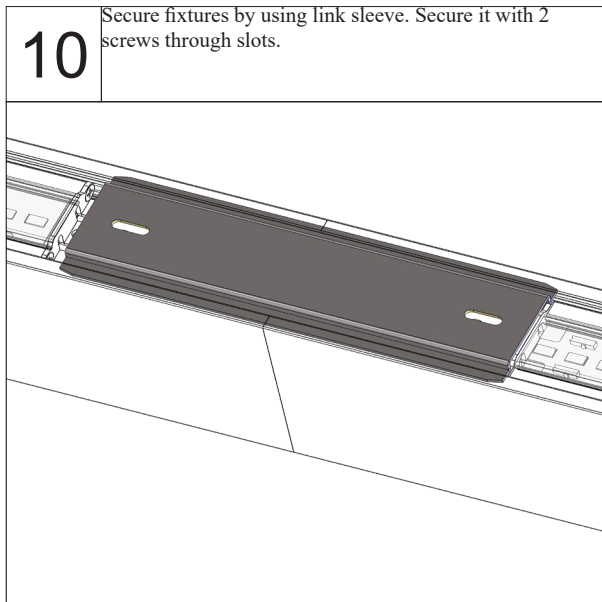
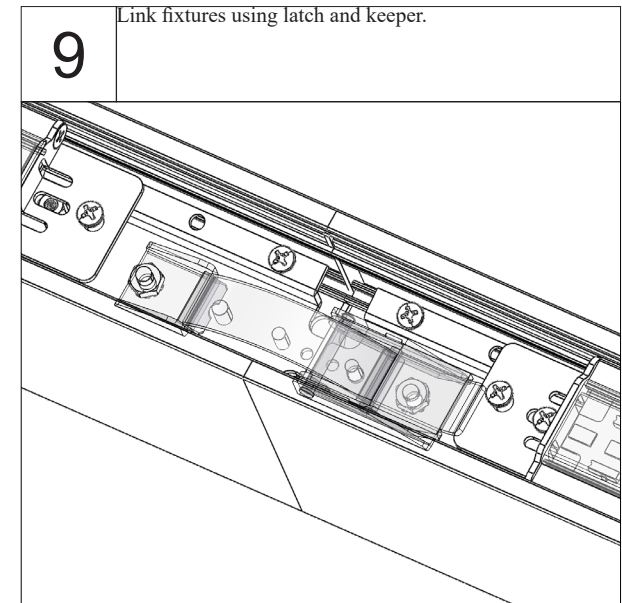
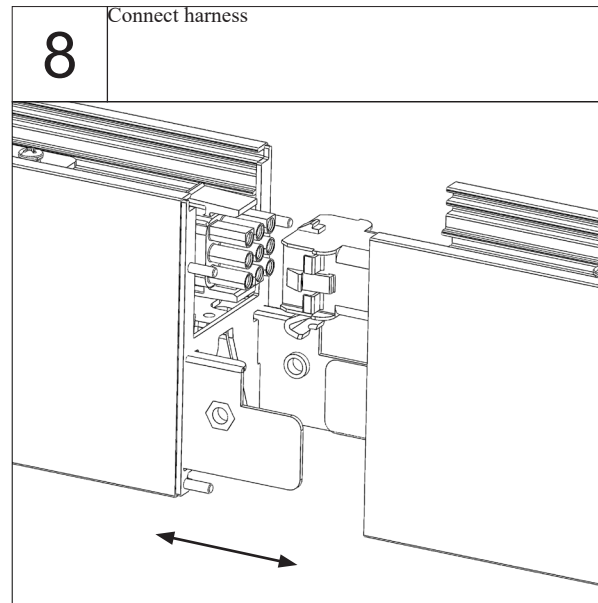
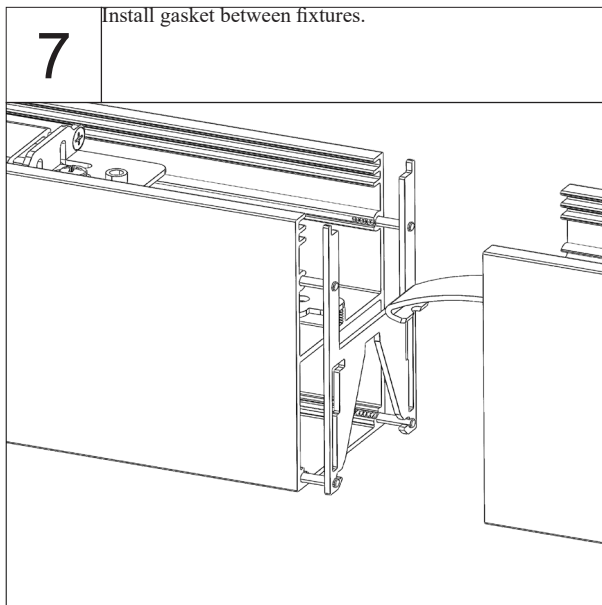
Wall

6 Hang middle fixture. Repeat steps 2-3.



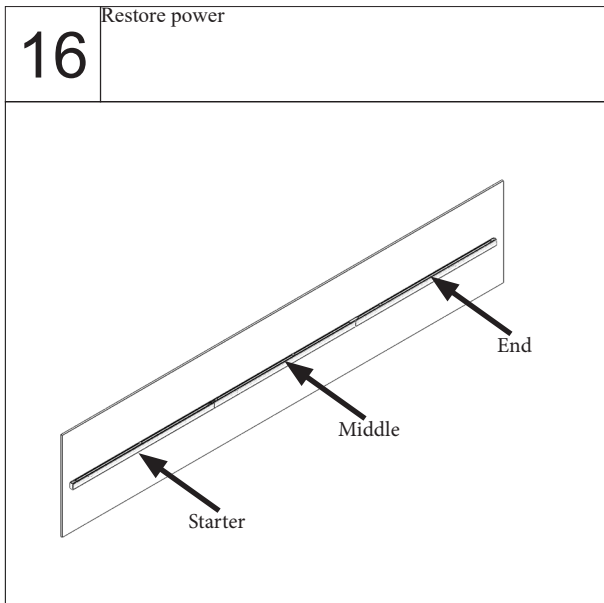
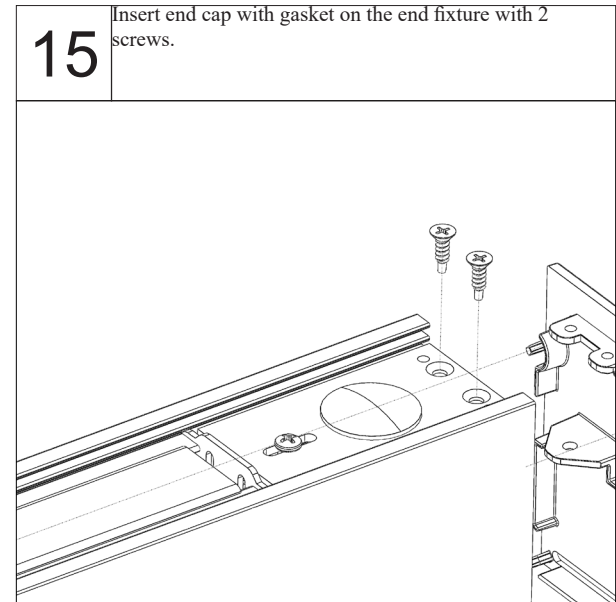
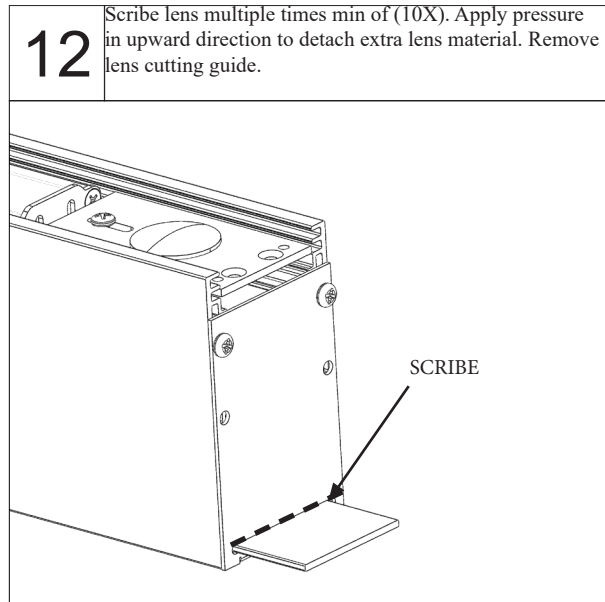
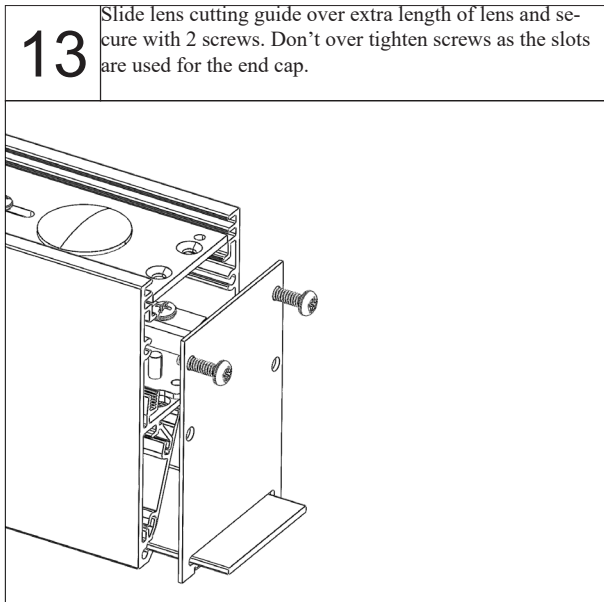
INSTALLATION INSTRUCTIONS

Continuous Wall Mount Cont. (WM)



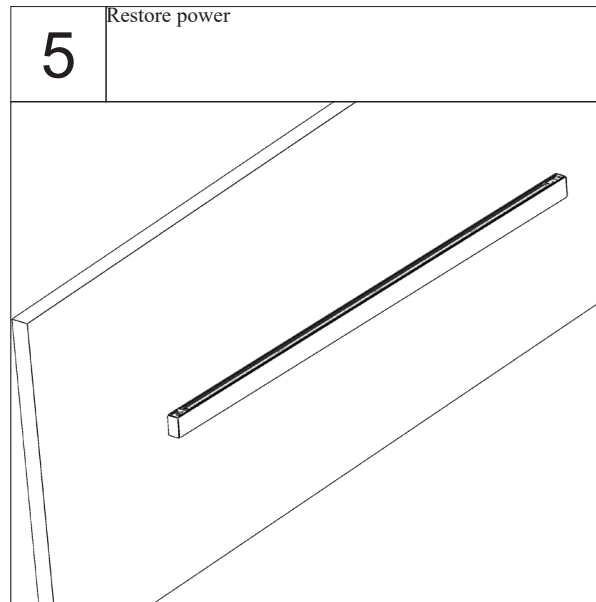
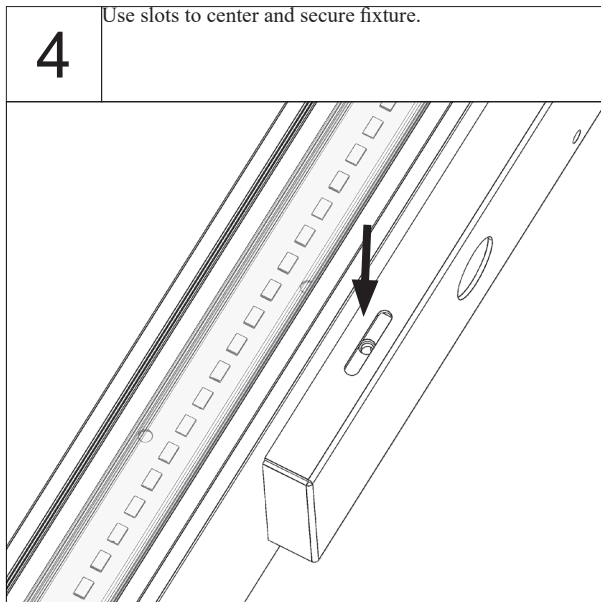
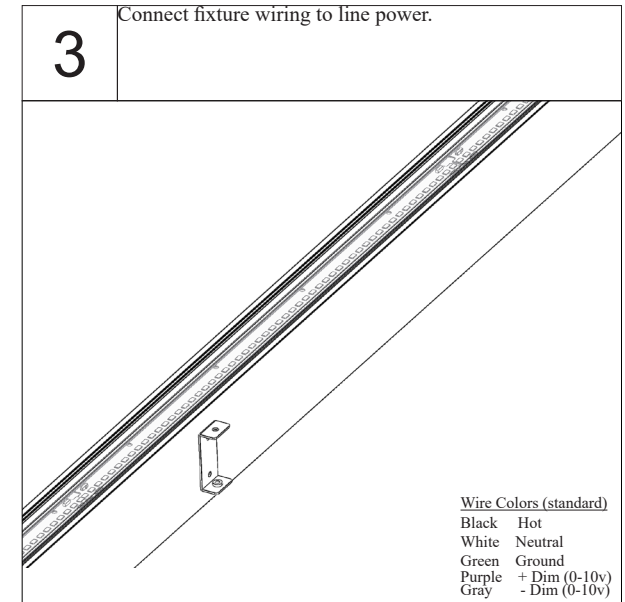
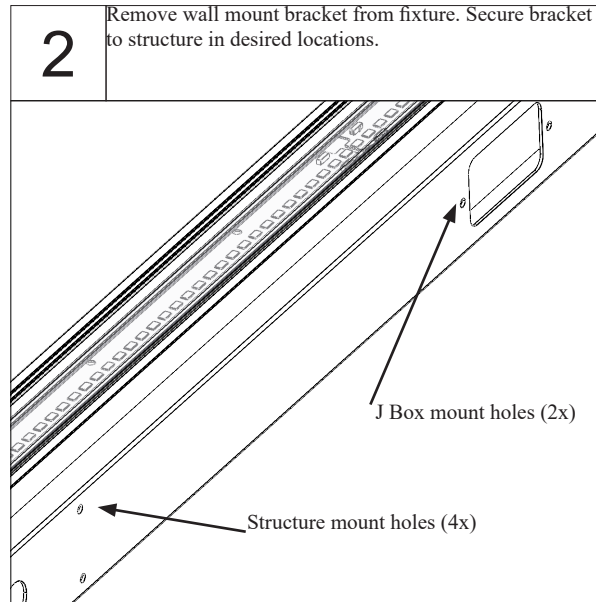
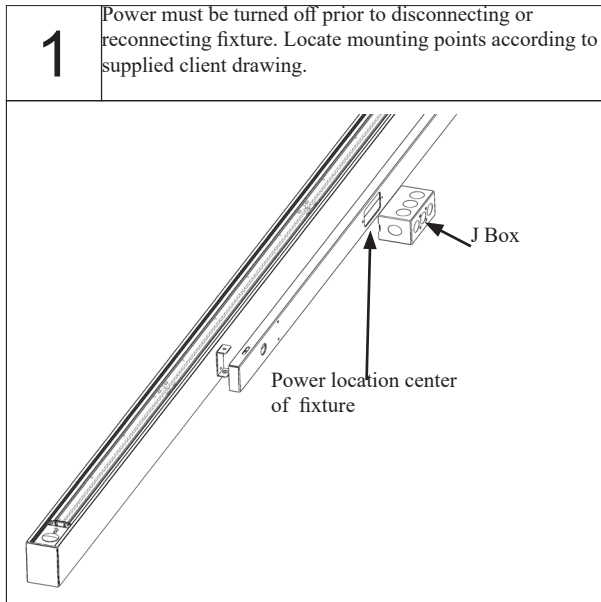
INSTALLATION INSTRUCTIONS

Continuous Wall Mount Cont. (WM)



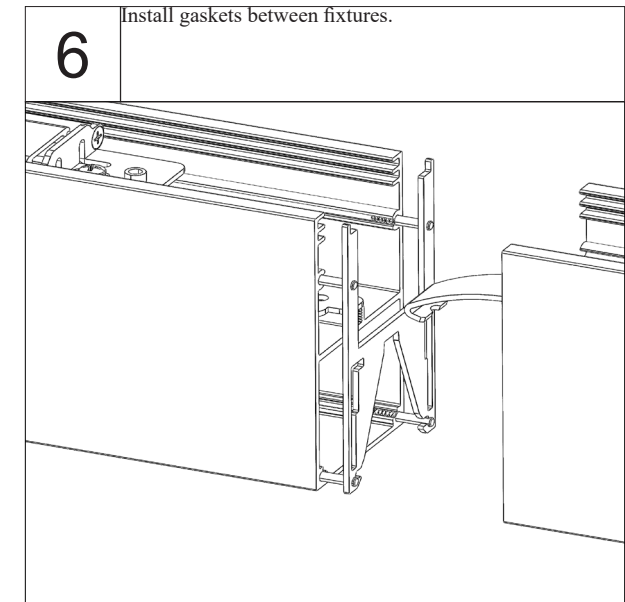
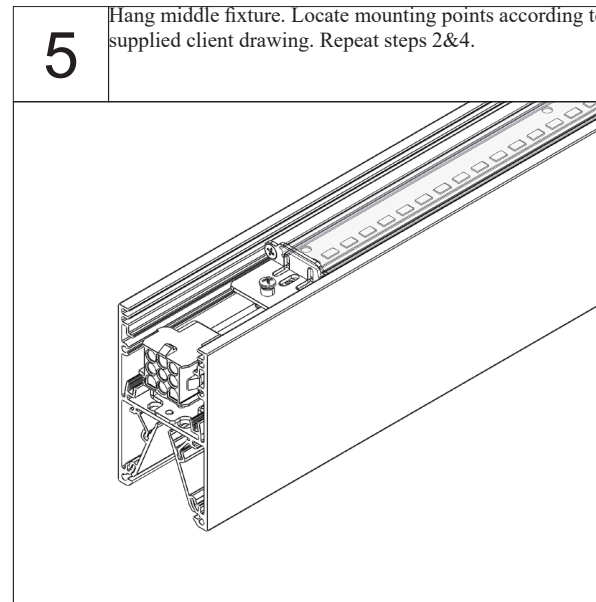
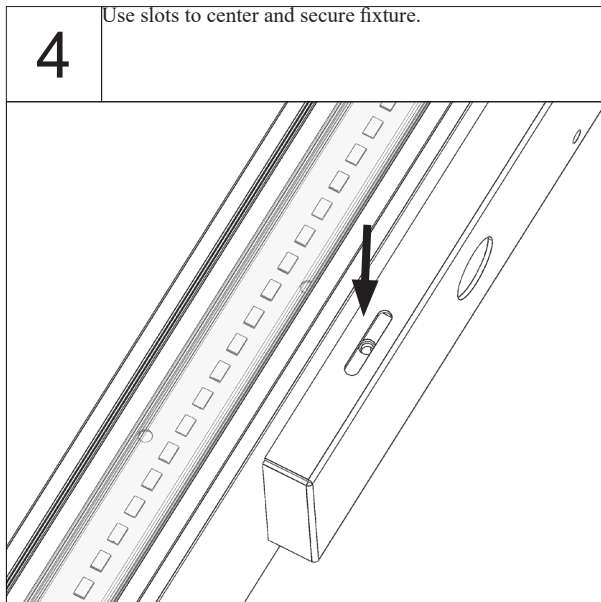
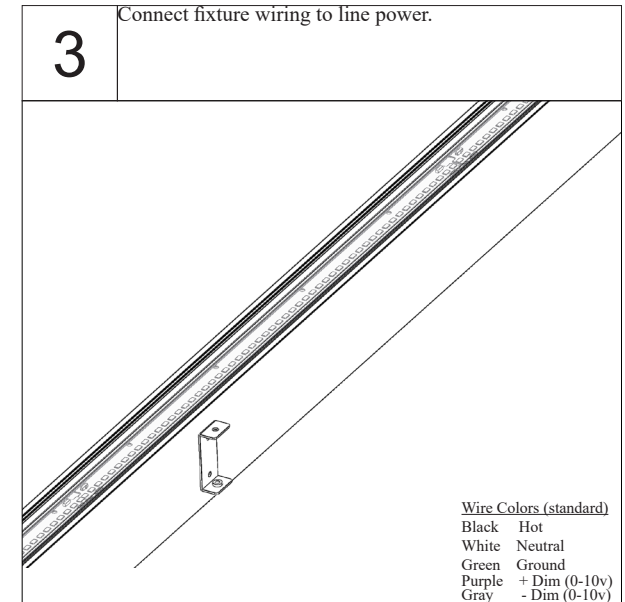
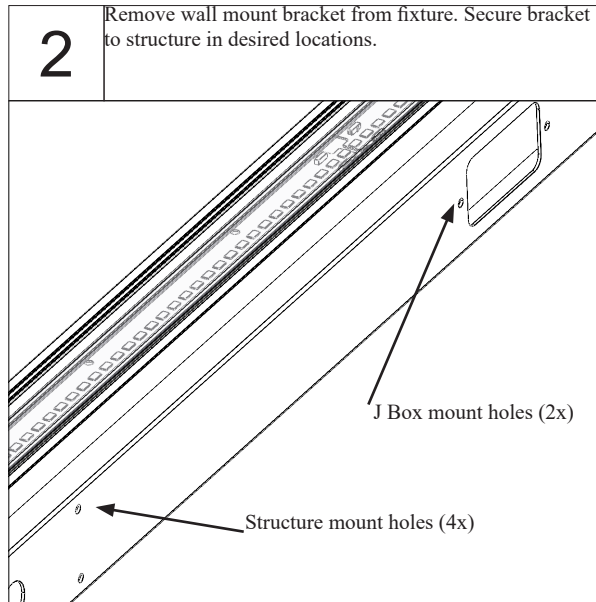
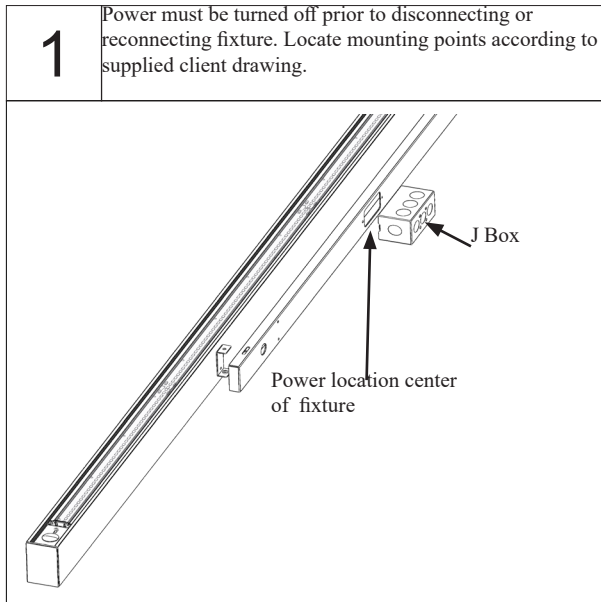
INSTALLATION INSTRUCTIONS

Individual Architectural Wall Mount (AWM)



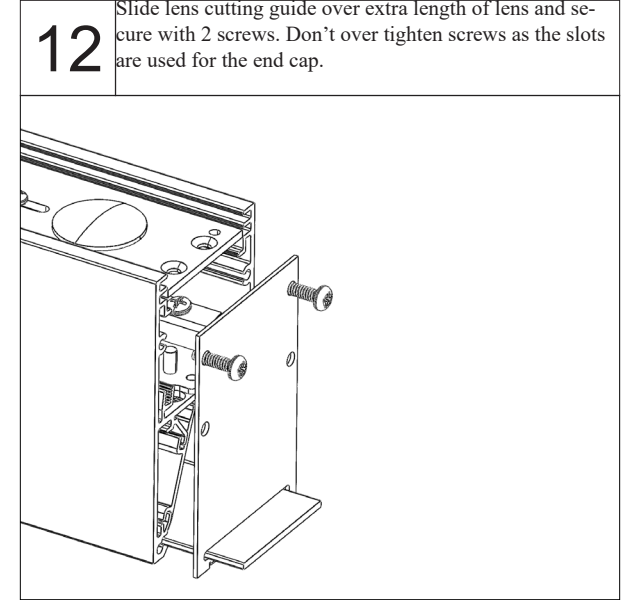
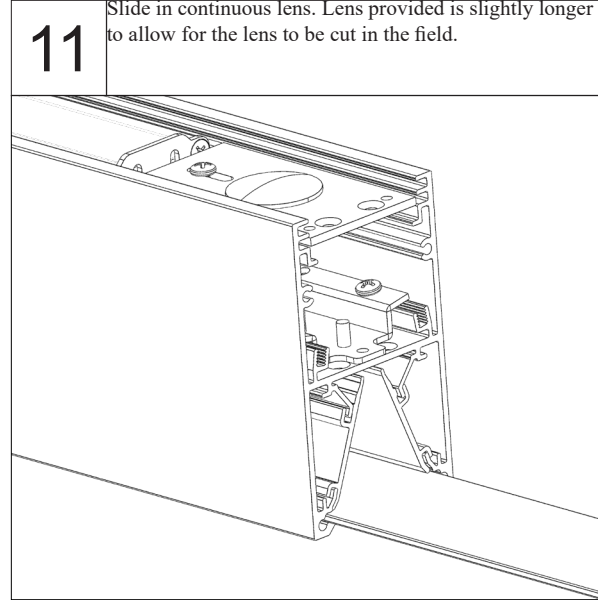
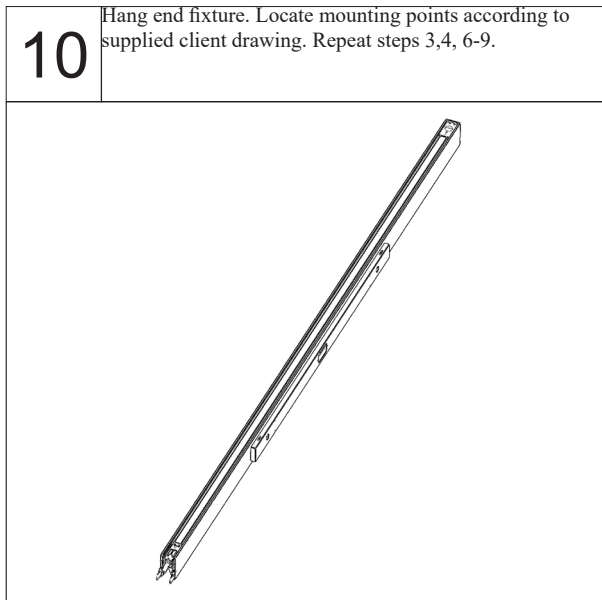
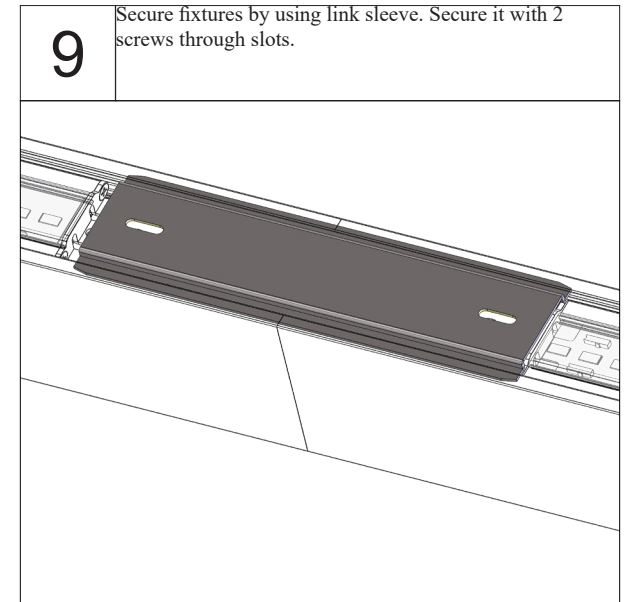
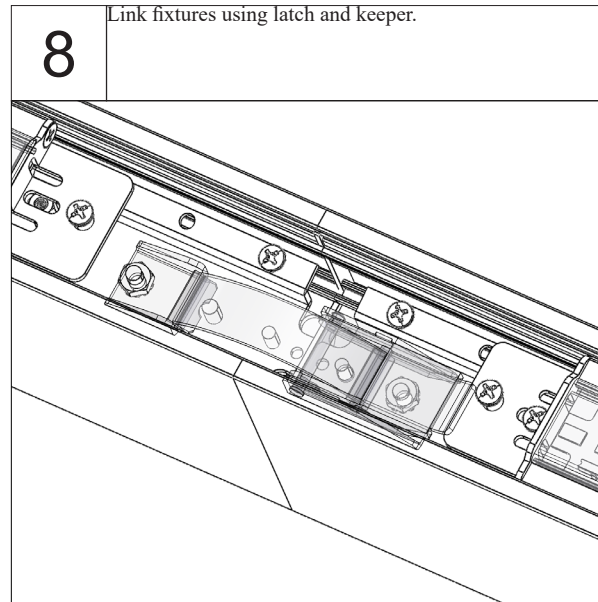
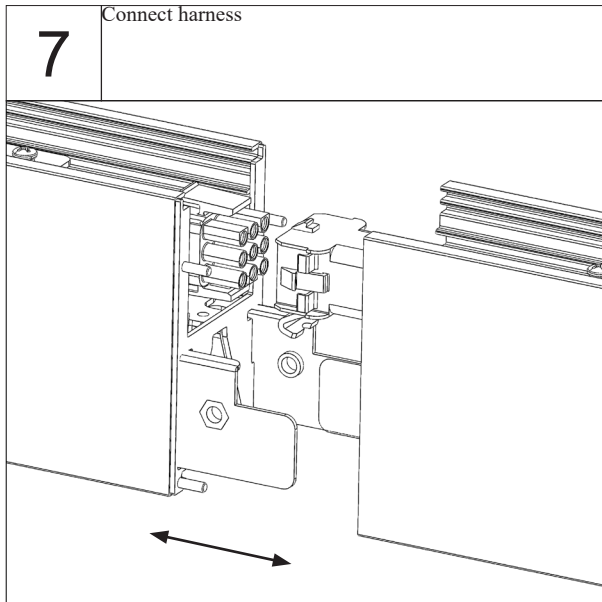
INSTALLATION INSTRUCTIONS

Continuous Architectural Wall Mount (AWM)



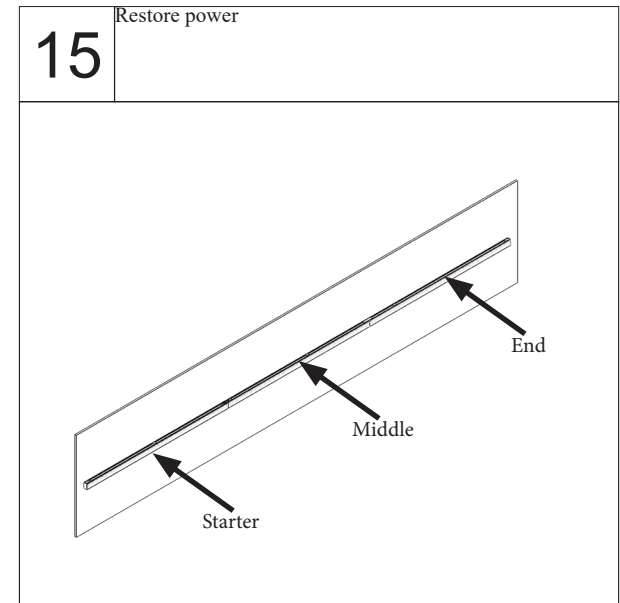
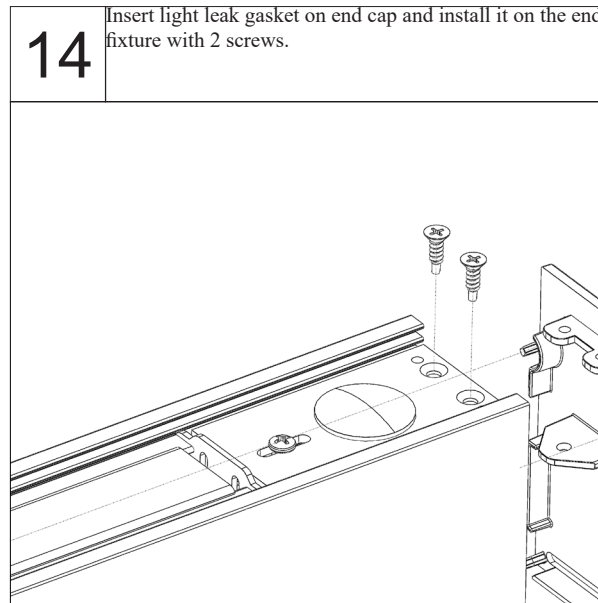
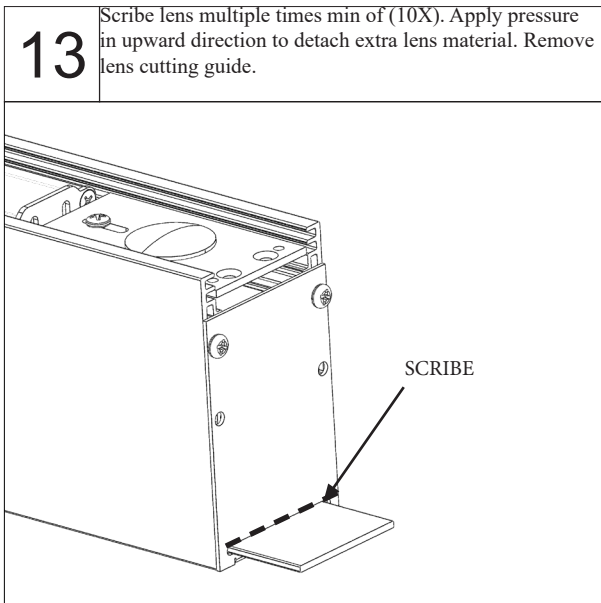
INSTALLATION INSTRUCTIONS

Continuous Architectural Wall Mount Cont. (AWM)



INSTALLATION INSTRUCTIONS

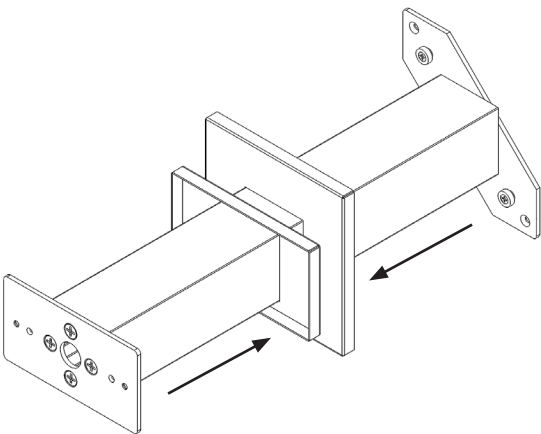
Continuous Architectural Wall Mount Cont. (AWM)



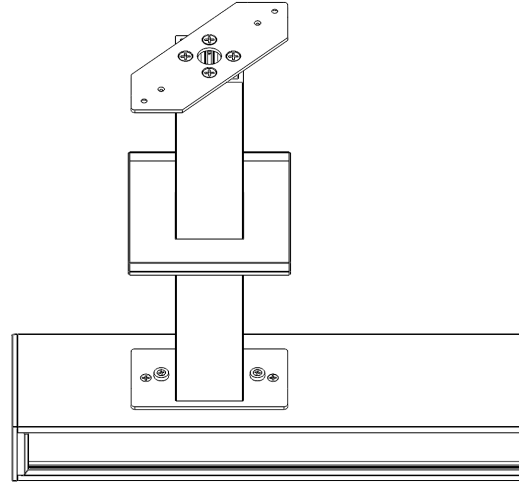
INSTALLATION INSTRUCTIONS

Extruded Wall Mount, Individual (EWM)

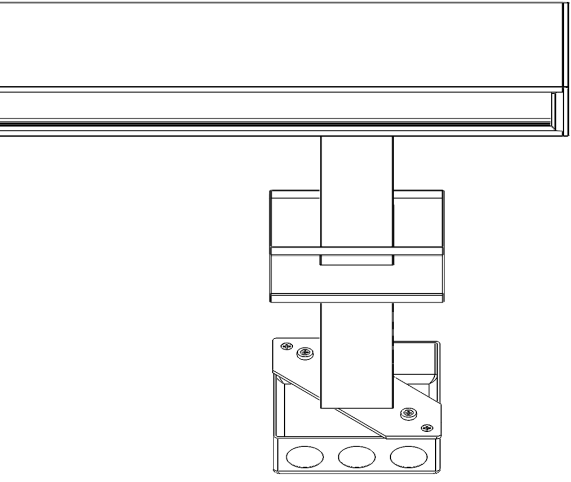
1 Collect a stem. Pull the two Cosmetic Covers off of the magnets holding them in place.



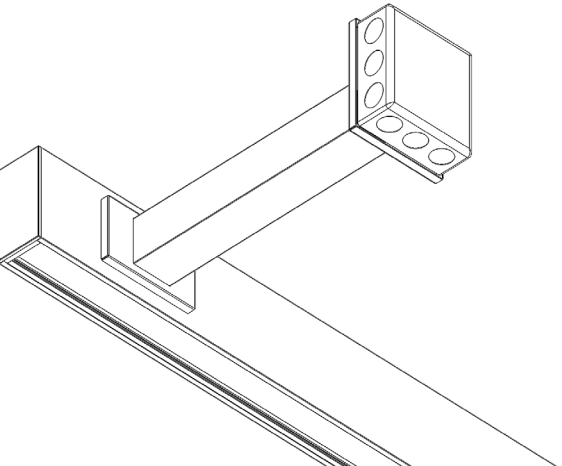
2 Locate the side of the fixture with the power inlet hole. Thread all wires through the stem. Then, using two countersink screws, affix the Mounting Plate shown to the fixture.



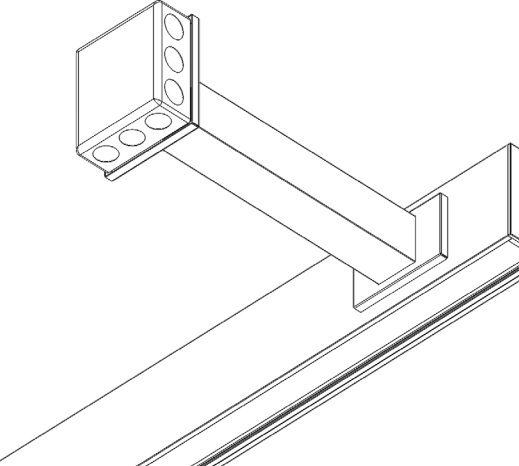
3 Wire the fixture to the Double Gang Junction Box. Using two countersink screws, affix the other Mounting Plate to the Double Gang Junction Box.



4 Slide the Cosmetic Covers back onto the magnets.



5 Repeat Steps 1-4 for each of the non-feed stems. If there is no Double Gang Junction Box at a location, the Mounting Plate may be affixed directly to the wall with self-threading screws.



INSTALLATION INSTRUCTIONS

Extruded Wall Mount, Continuous (EWM)

1 Collect a stem. Pull the two Cosmetic Covers off of the magnets holding them in place.

2 Locate the side of the fixture with the power inlet hole. Thread all wires through the stem. Then, using two countersink screws, affix the Mounting Plate shown to the fixture.

3 Wire the fixture to the Double Gang Junction Box. Using two countersink screws, affix the other Mounting Plate to the Double Gang Junction Box.

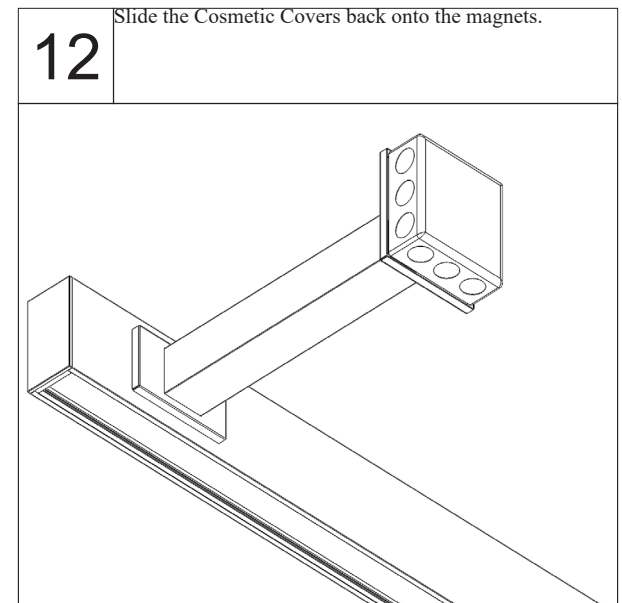
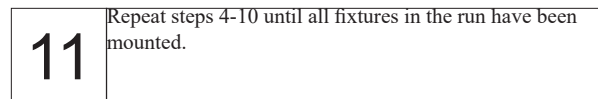
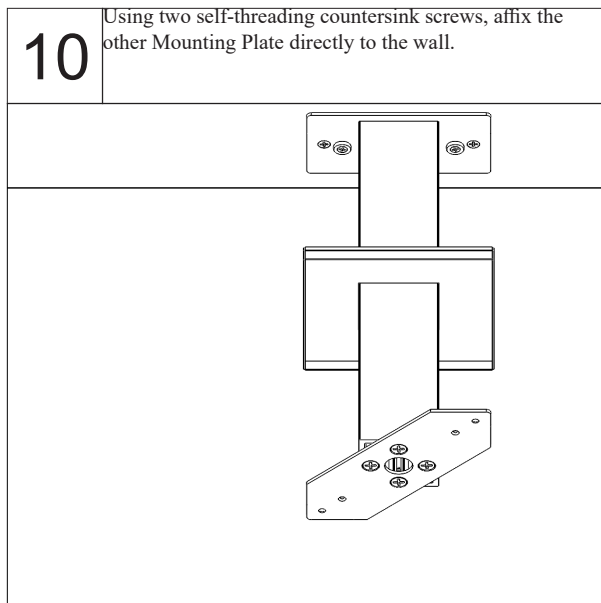
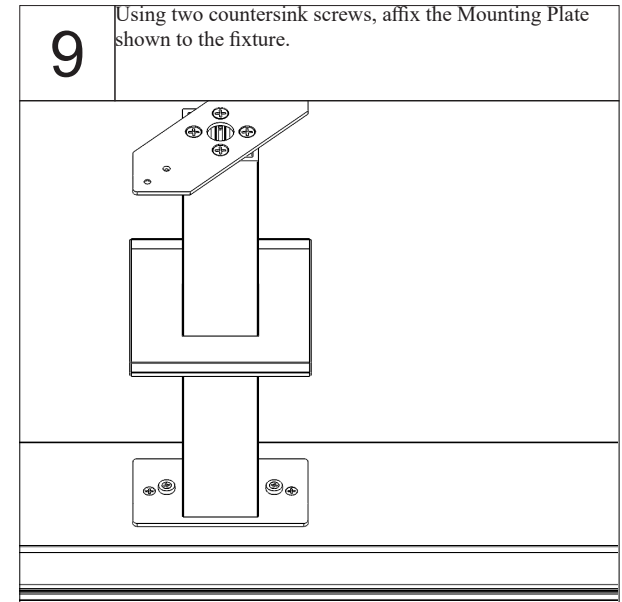
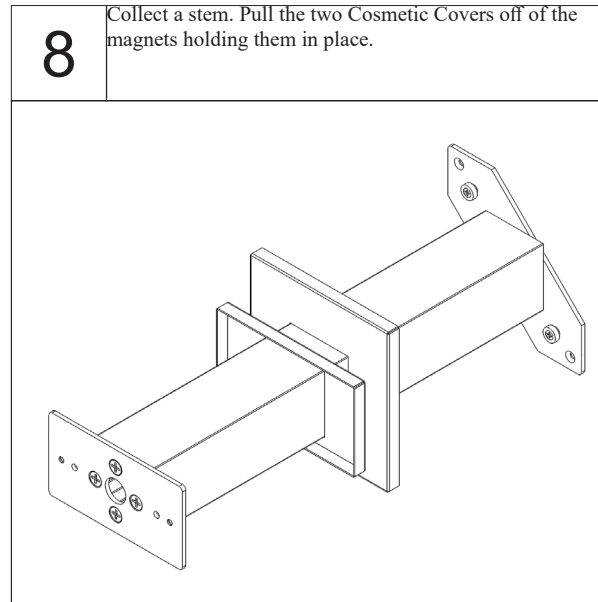
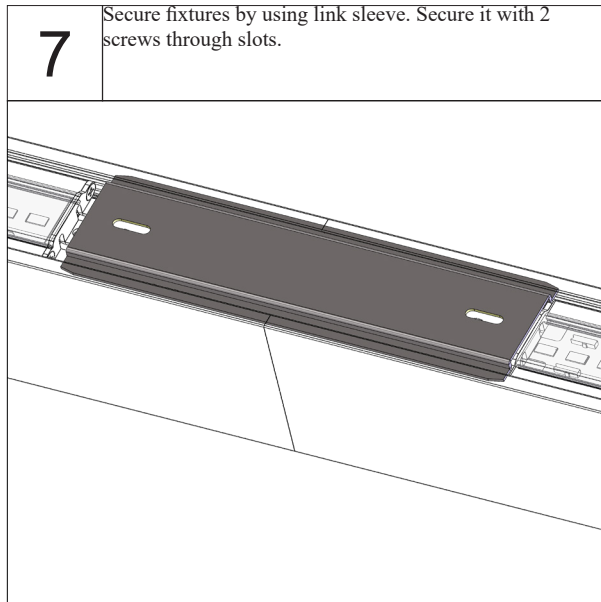
4 Install gaskets between fixtures.

5 Connect harness

6 Link fixtures using latch and keeper.

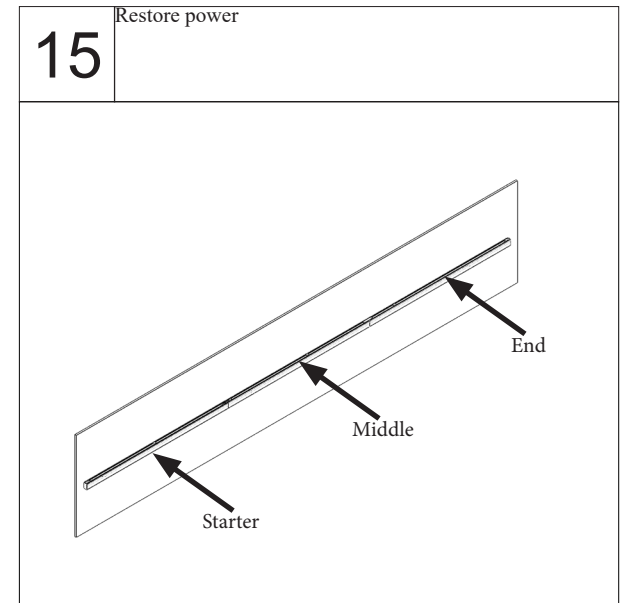
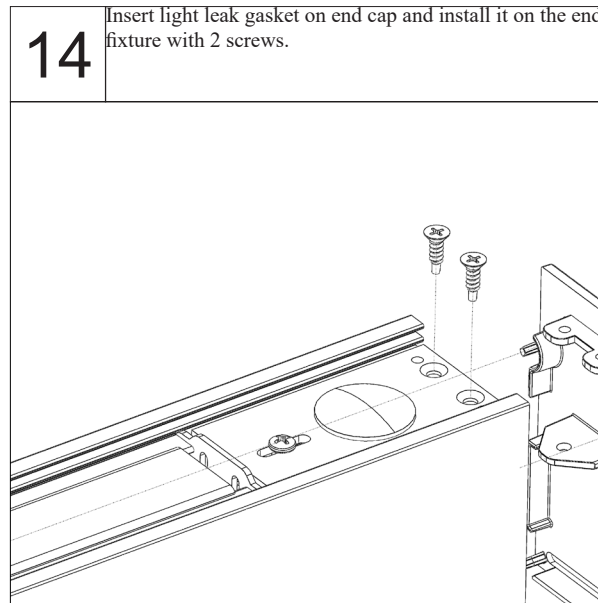
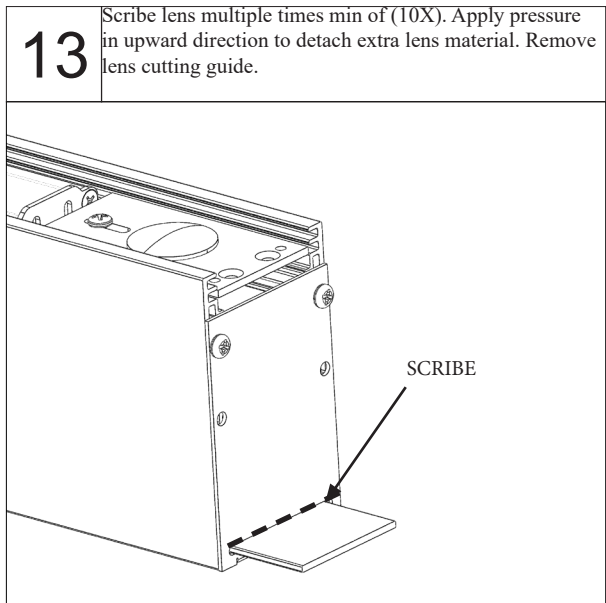
INSTALLATION INSTRUCTIONS

Extruded Wall Mount, Continuous (EWM)



INSTALLATION INSTRUCTIONS

Extruded Wall Mount, Continuous (EWM)



INSTALLATION INSTRUCTIONS

Individual Stem With Canopy (STEMxxx)

1 Power must be turned off prior to disconnecting or reconnecting fixture.

A perspective view of the individual stem with canopy assembly, showing a long, narrow rectangular stem with a circular canopy at each end. The canopy is mounted on a vertical stem that passes through the stem's end.

2 Feed power through pm mount bracket, nipple, stem and connect threaded stem to canopy.

A close-up perspective view of the power feed assembly. A threaded stem is being inserted into a bracket mounted on the stem. The stem is secured with a nut and washer.

Wire Colors (standard)
 Black Hot
 White Neutral
 Green Ground
 Purple + Dim (0-10v)
 Gray - Dim (0-10v)

3 Connect non-power stem to canopy.

A close-up perspective view of the non-power stem connection. A threaded stem is being inserted into a bracket mounted on the stem. The stem is secured with a nut and washer.

4 Power feed canopy

Attach crossbar to J box

A perspective view of the power feed canopy assembly. A crossbar is being attached to a J box. The crossbar is secured with a nut and washer.

5 Non-power feed canopy

Attach crossbar to building structure

A perspective view of the non-power feed canopy assembly. A crossbar is being attached to a building structure. The crossbar is secured with a nut and washer.

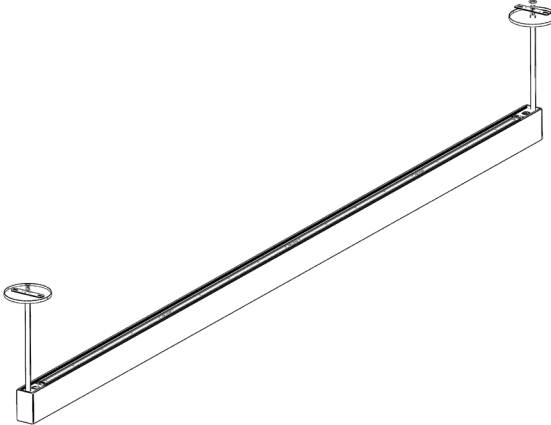
6 Restore power

A perspective view of the final assembly, showing the individual stem with canopy mounted on a building structure. The canopy is secured with a nut and washer.

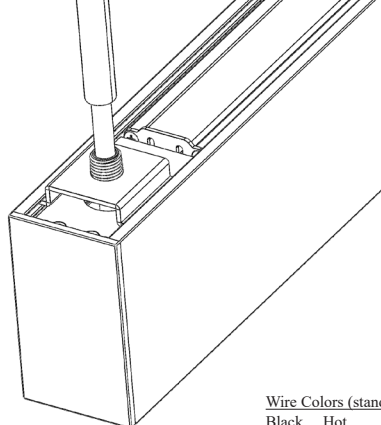
INSTALLATION INSTRUCTIONS

Continuous Stem With Canopy (STEMxxx)

1 Power must be turned off prior to disconnecting or reconnecting fixture.

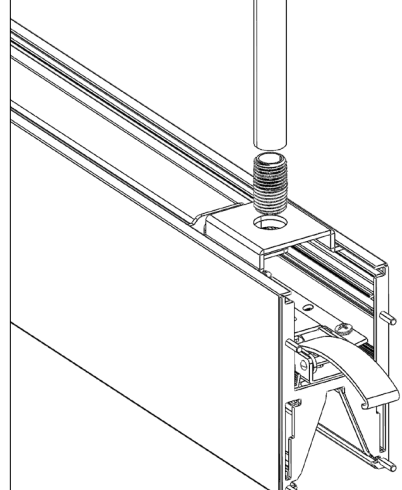


2 Feed power through pm mount bracket, nipple, stem and connect threaded stem to canopy.



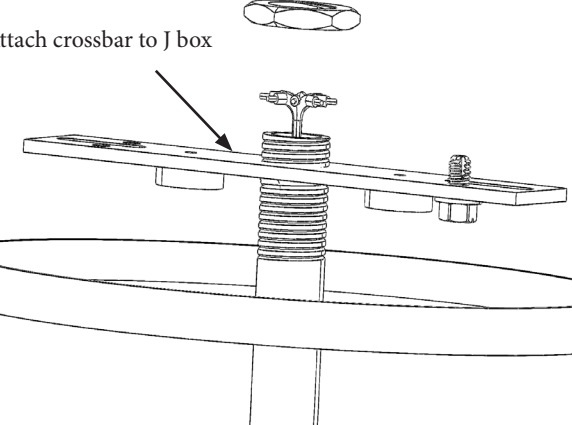
Wire Colors (standard)
 Black Hot
 White Neutral
 Green Ground
 Purple + Dim (0-10v)
 Gray - Dim (0-10v)

3 Connect non-power stem to canopy.



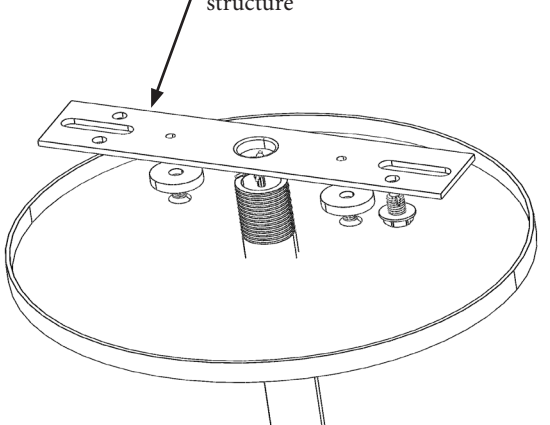
4 Power feed canopy

Attach crossbar to J box

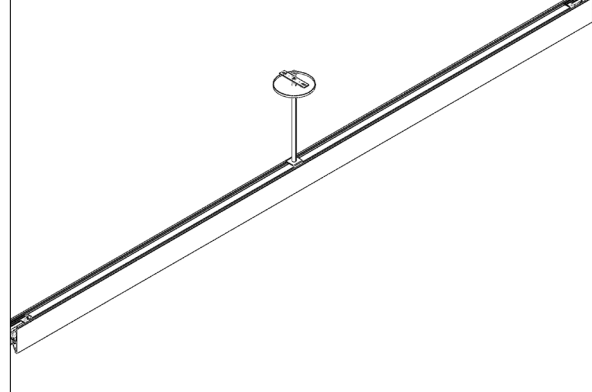


5 Non-power feed canopy

Attach crossbar to building structure

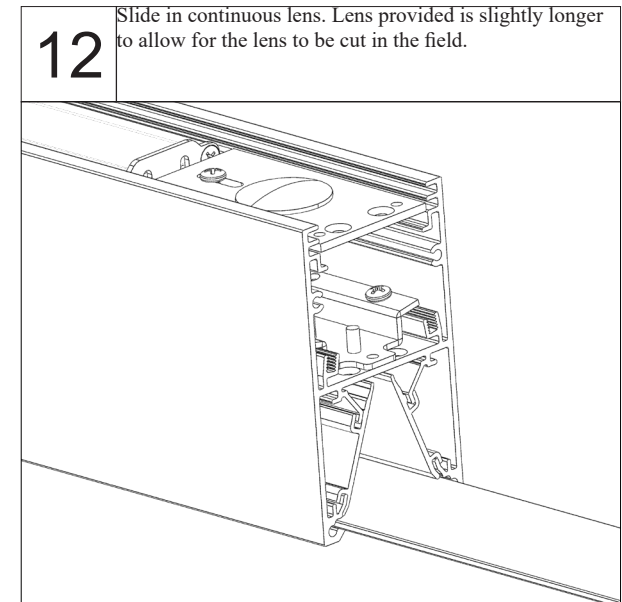
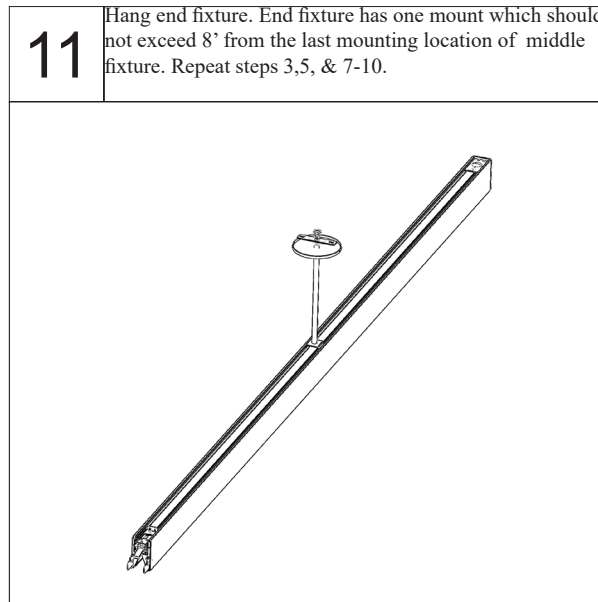
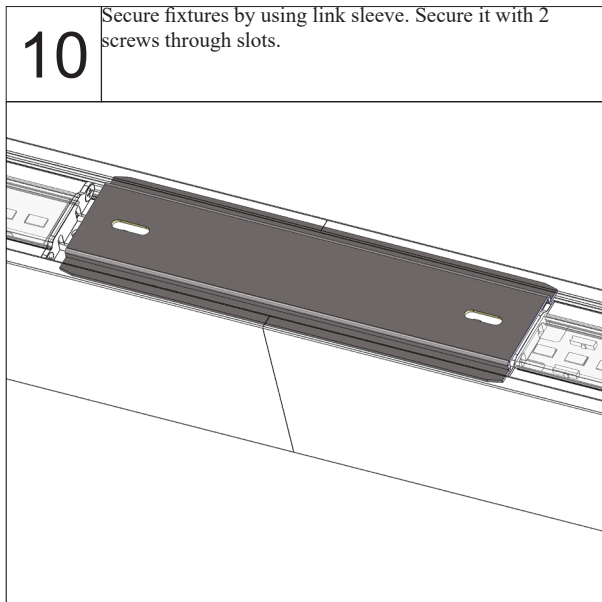
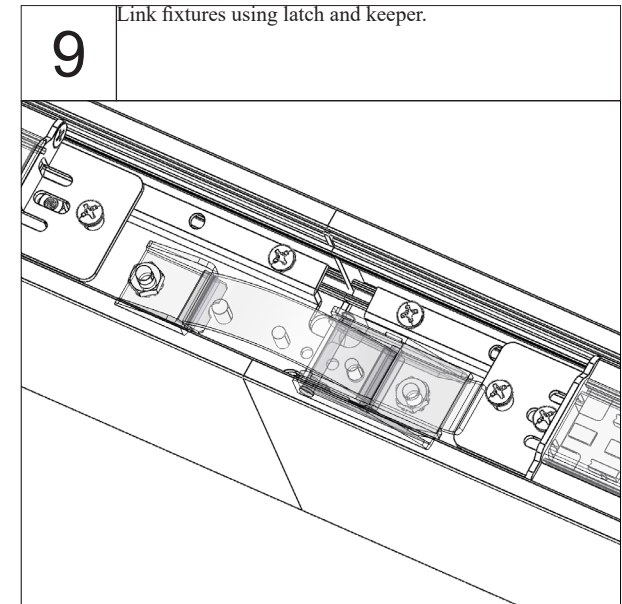
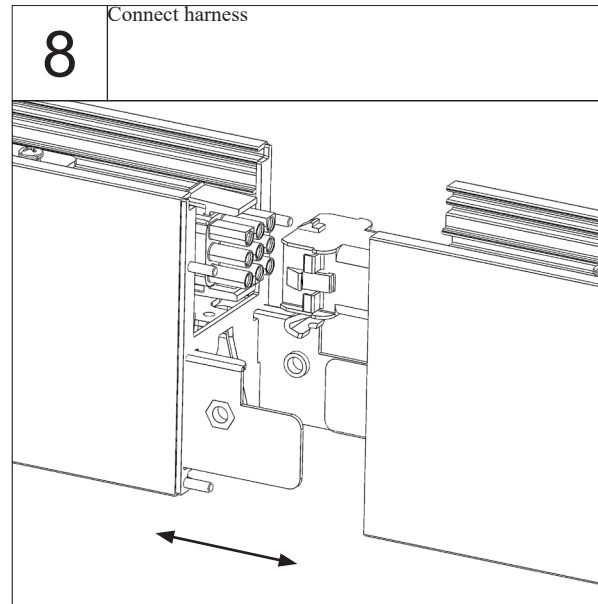
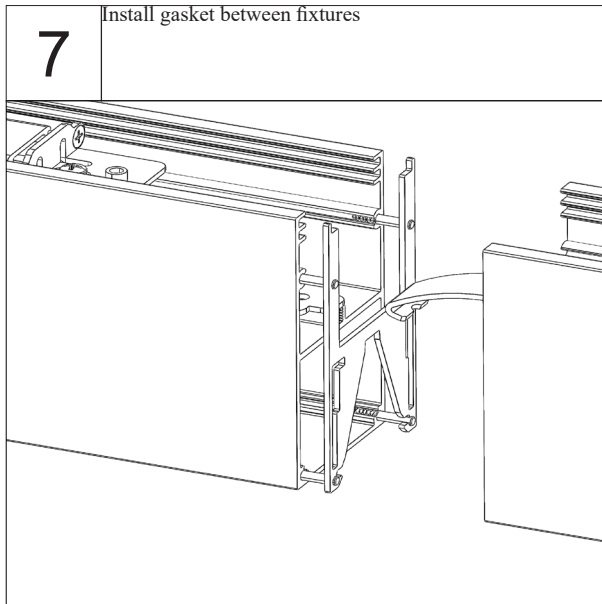


6 Hang middle fixture. Middle fixture has one mount which should not exceed 8' from the last mounting location of starting fixture. Repeat step 3, & 5.



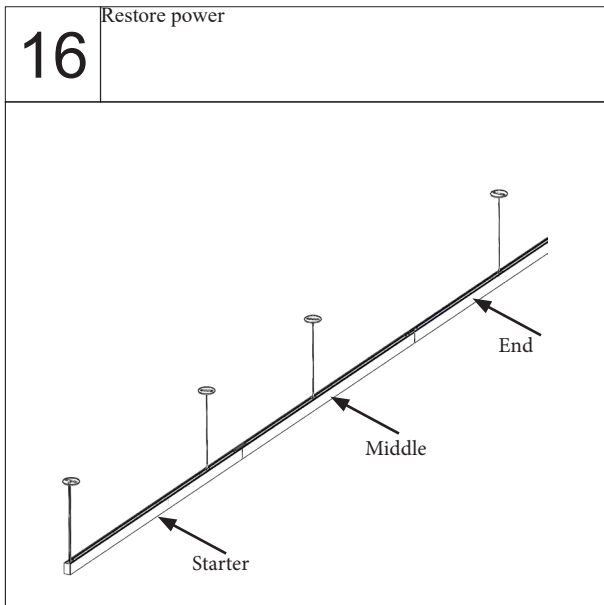
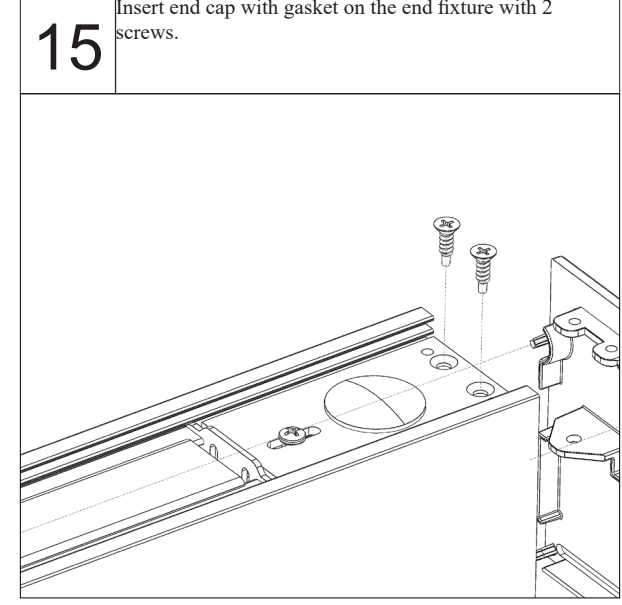
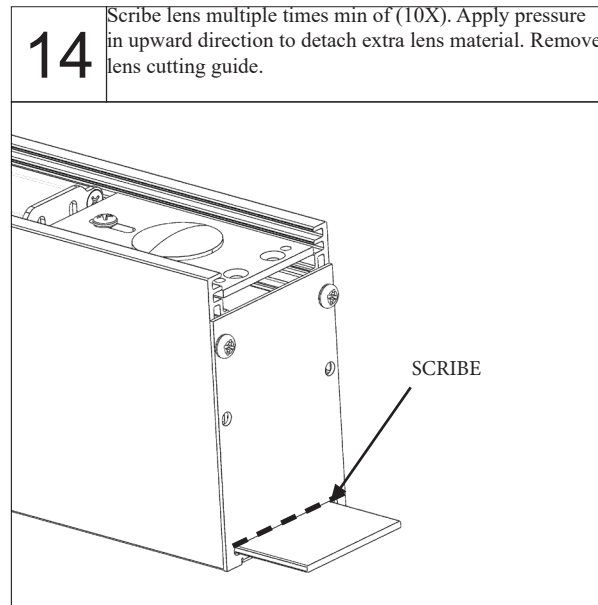
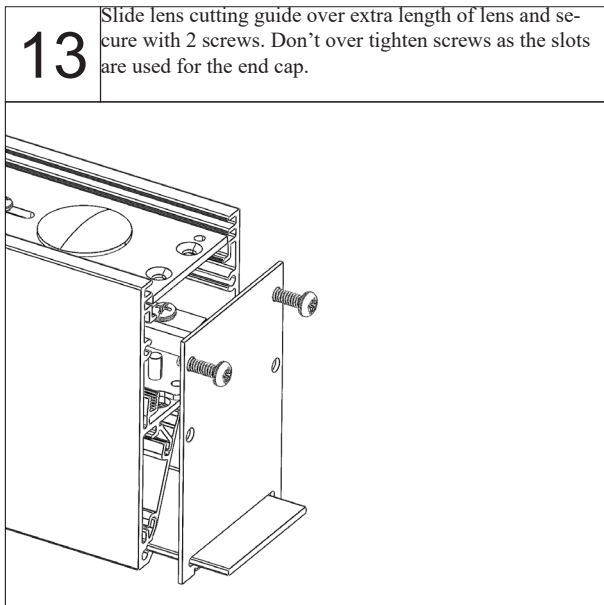
INSTALLATION INSTRUCTIONS

Continuous Stem With Canopy Cont. (STEMxxx)



INSTALLATION INSTRUCTIONS

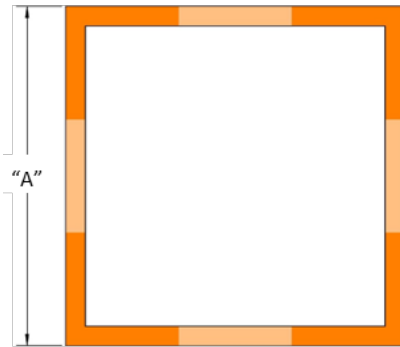
Continuous Stem With Canopy Cont. (STEMxxx)



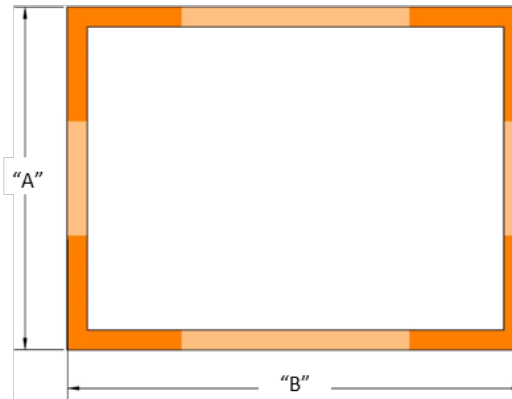
INSTALLATION INSTRUCTIONS

Joint Shape Configuration PM

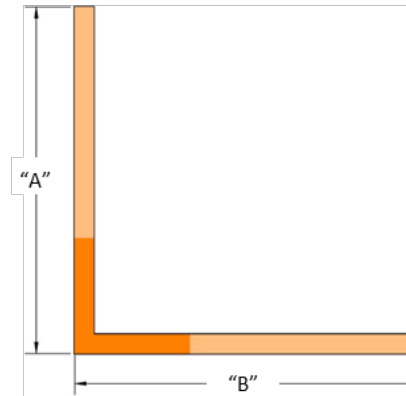
_SQ
Square
Supply "A" dimension



_x_RECT
Rectangle
Supply AxB dimensions

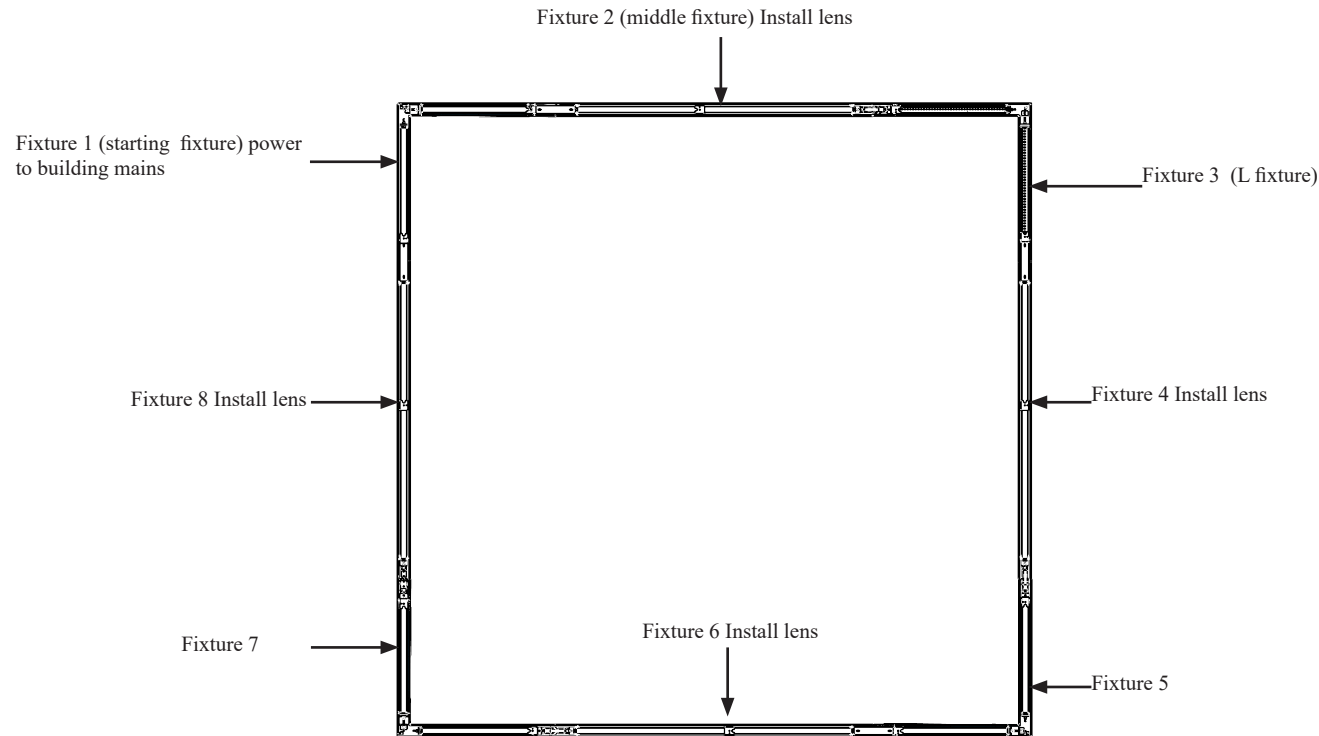


_x_L
L-Shape
Supply AxB dimensions



INSTALLATION INSTRUCTIONS

Shape Configuration PM Cont.(ACxxx) Sq or Rect



- Step 1. Hang fixture 1**
- Step 2. Hang fixture 2.** Connect fixtures 1&2. Slide in lens
- Step 3. Hang fixture 3.** Slide in lens to cap off that section and connect fixtures 3&2
- Step 4. Hang fixture 4.** Connect fixtures 4&3. Slide in lens
- Step 5. Hang fixture 5.** Slide in lens to cap off that section and connect fixtures 5&4
- Step 6. Hang fixture 6.** Connect fixtures 6&5. Slide in lens
- Step 7. Hang fixture 7.** Slide in lens to cap off that section and connect fixtures 7&6
- Step 8. Hang fixture 8.** Connect fixtures 8,7 slide in lens and connect fixtures 8&1

INSTALLATION INSTRUCTIONS

Shape Configuration PM Cont.(ACxxx) Sq or Rect

1 Power must be turned off prior to disconnecting or reconnecting fixture. Hang starting fixture. Note starting fixture has 2 mounts. Slide pendant mount into place, use set screw to lock it. Do not over-tighten.

Power location.
Run power to nearest canopy

2 Locate ceiling mounting points according to supplied client drawing. Connect wire to building mains and then canopy to structure. Remove slack from cord attach strain relief to hole.

3 Power feed side. Secure canopy (A) with threaded coupler (B) on threaded stud (C)

4 Non-power feed side. Secure canopy (D) with cable coupler (E) on threaded stud (F)

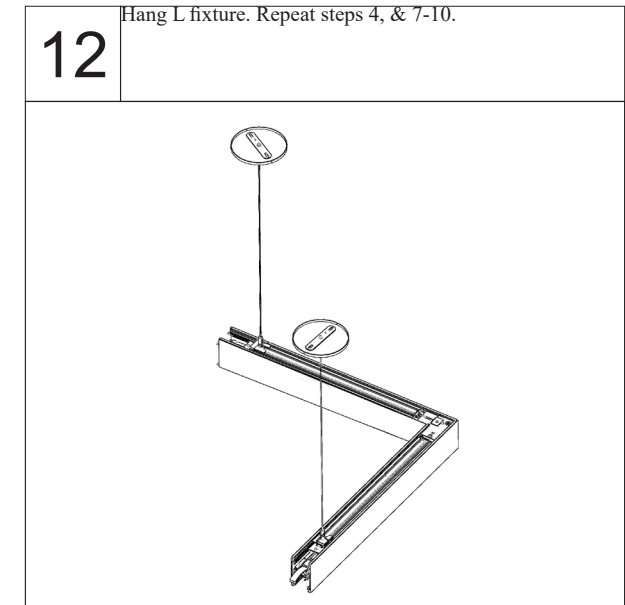
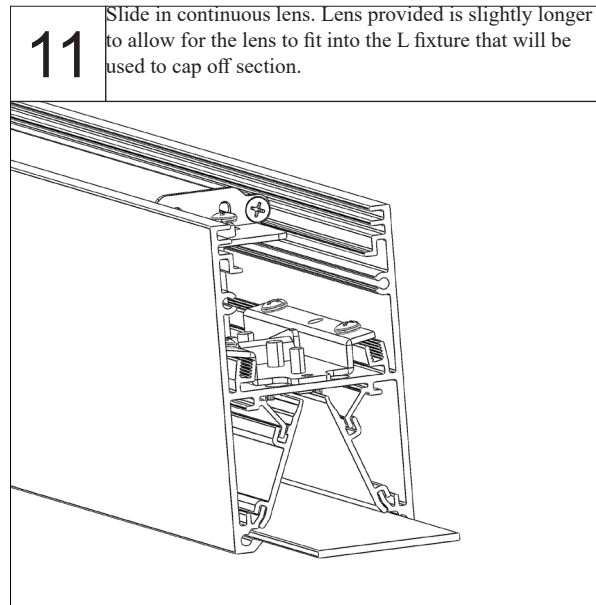
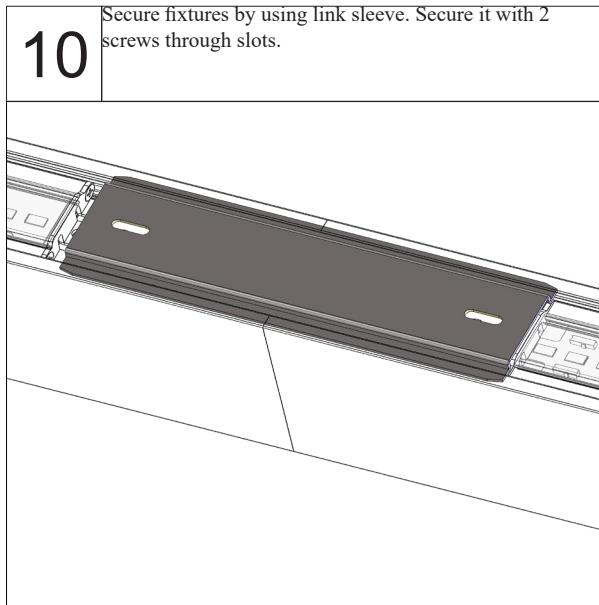
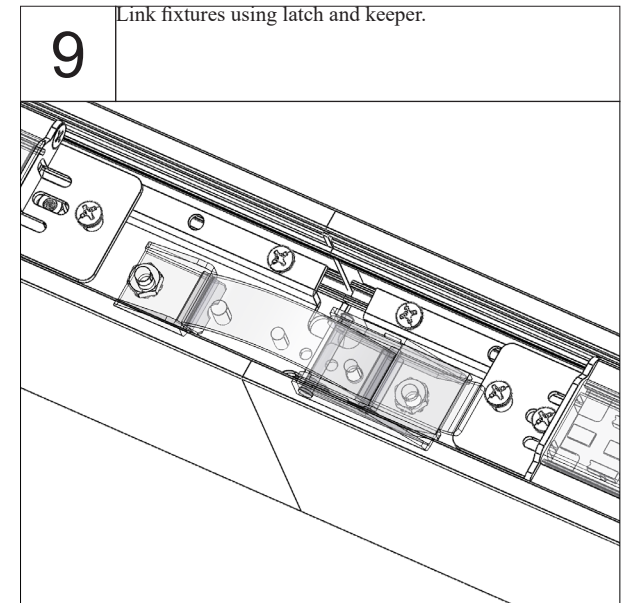
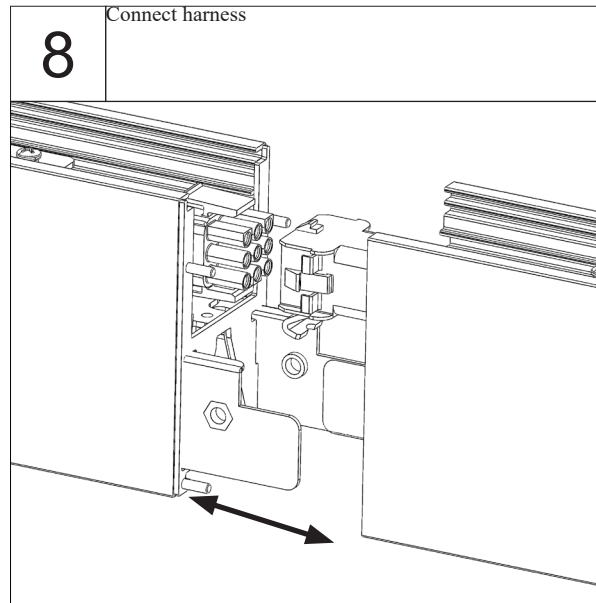
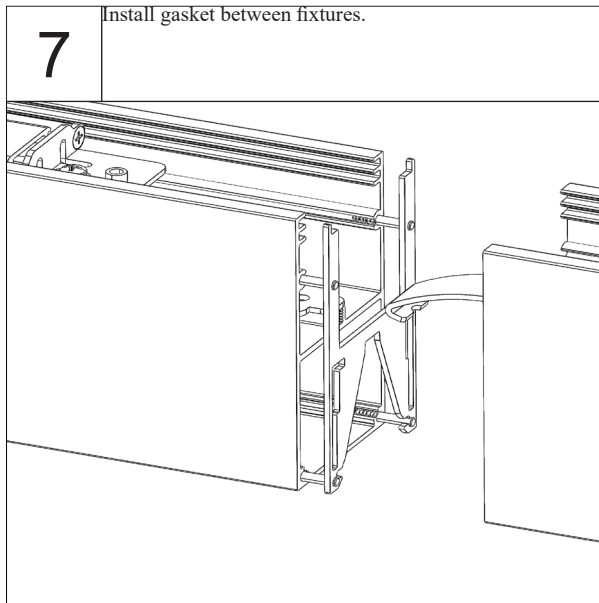
5 Level fixture by adjusting aircraft cable through grippers on both ends.

Power Cord Location

6 Hang middle fixture. Repeat steps 4. Middle fixture has one mount which should not exceed 8' from the last mounting location.

INSTALLATION INSTRUCTIONS

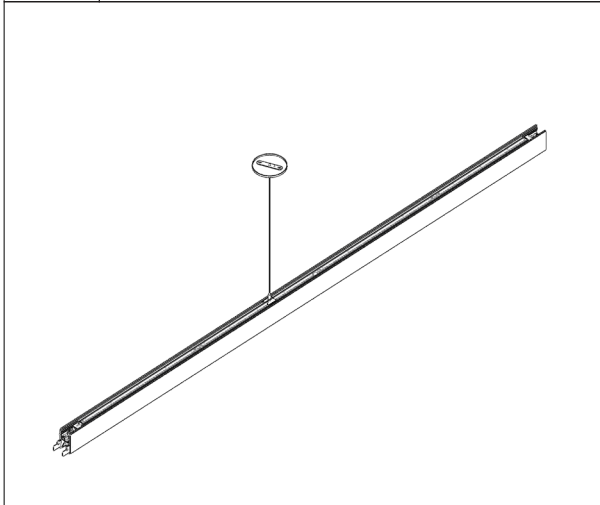
Shape Configuration PM Cont.(ACxxx) Sq or Rect



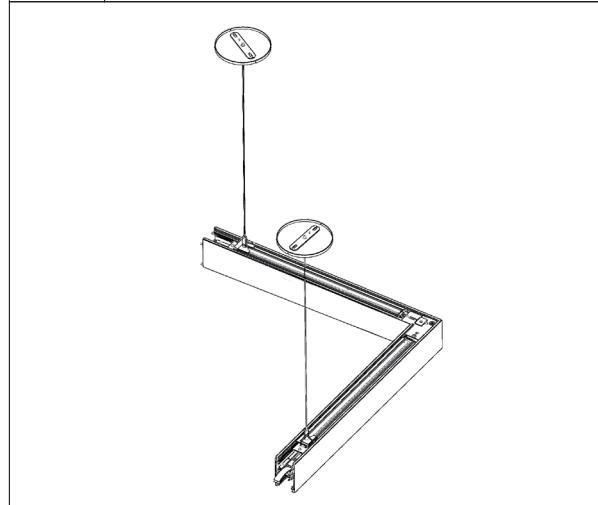
INSTALLATION INSTRUCTIONS

Shape Configuration PM Cont.(ACxxx) Sq or Rect

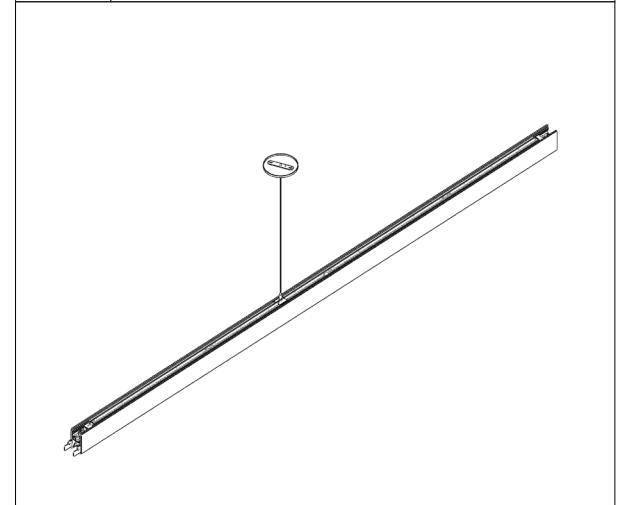
13 Hang middle fixture. Middle fixture has one mount which should not exceed 8' from the last mounting location. Repeat steps 4 & 7-10.



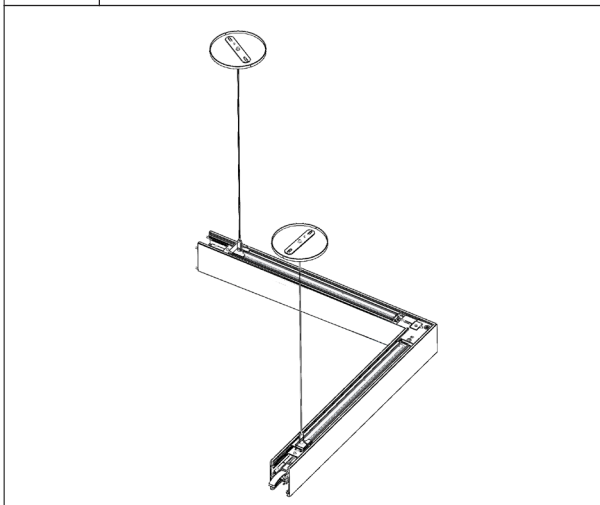
14 Hang L fixture. Repeat steps 4, & 7-10.



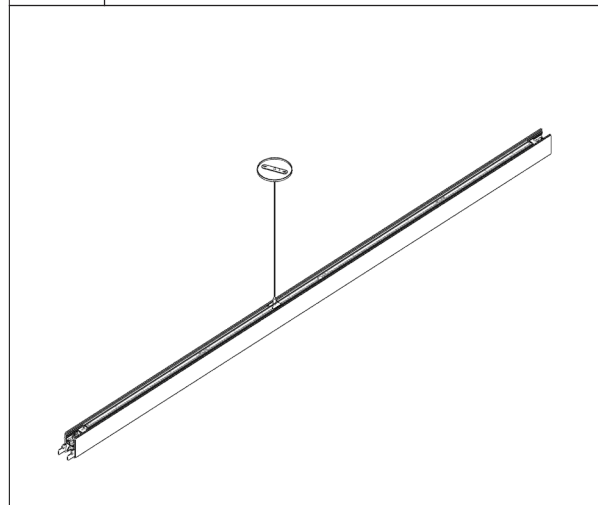
15 Hang middle fixture. Middle fixture has one mount which should not exceed 8' from the last mounting location. Repeat steps 4 & 7-10.



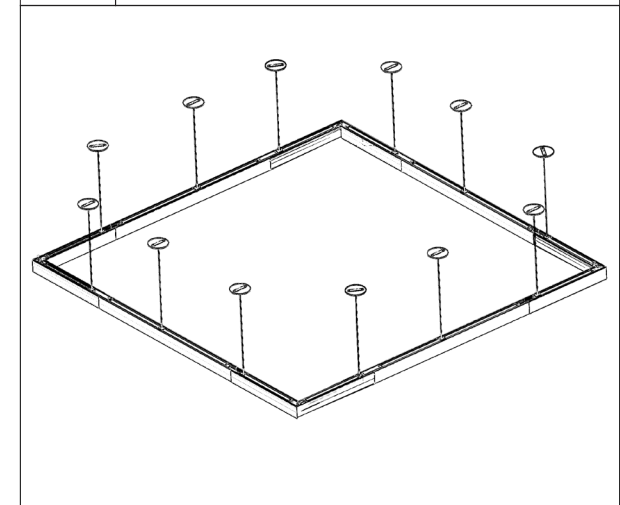
16 Hang L fixture. Repeat steps 4, & 7-10.



17 Hang middle fixture. Middle fixture has one mount which should not exceed 8' from the last mounting location. Repeat steps 4 & 7-10.



18 Restore Power



INSTALLATION INSTRUCTIONS

Shape Configuration PM (ACxxx) L

1 Power must be turned off prior to disconnecting or reconnecting fixture. Hang starting fixture. Note starting fixture has 2 mounts. Slide pendant mount into place, use set screw to lock it. Do not overtighten.

Power location.
Run power to nearest canopy

2 Locate ceiling mounting points according to supplied client drawing. Connect wire to building mains and then canopy to structure. Remove slack from cord attach strain relief to hole.

3 Power feed side. Secure canopy (A) with threaded coupler (B) on threaded stud (C)

4 Non-power feed side. Secure canopy (D) with cable coupler (E) on threaded stud (F)

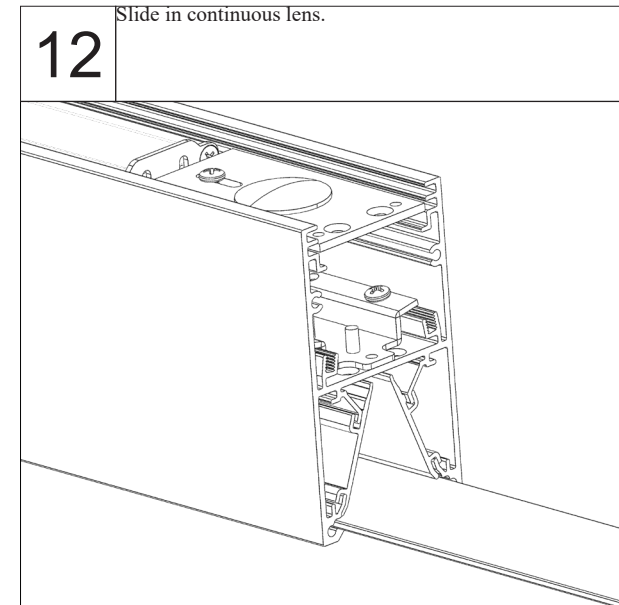
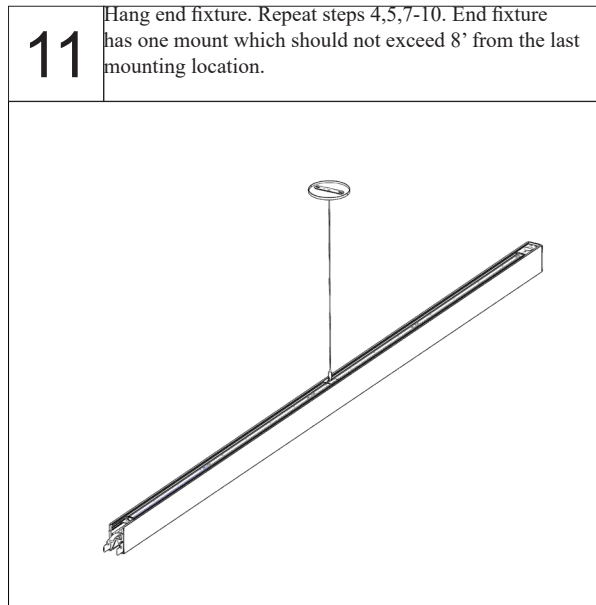
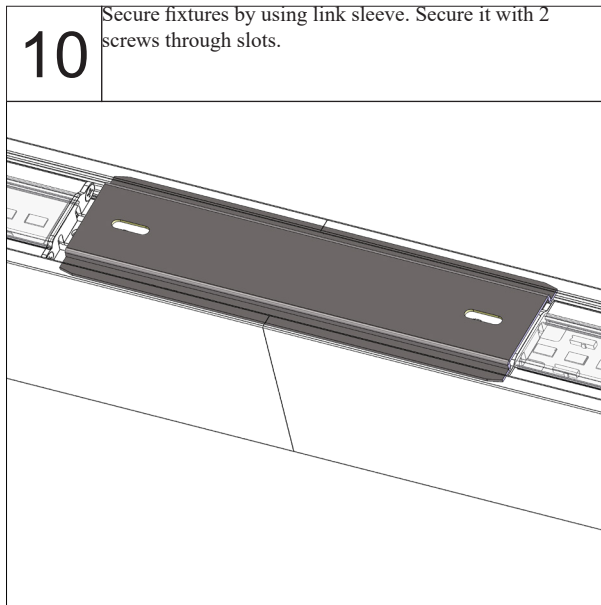
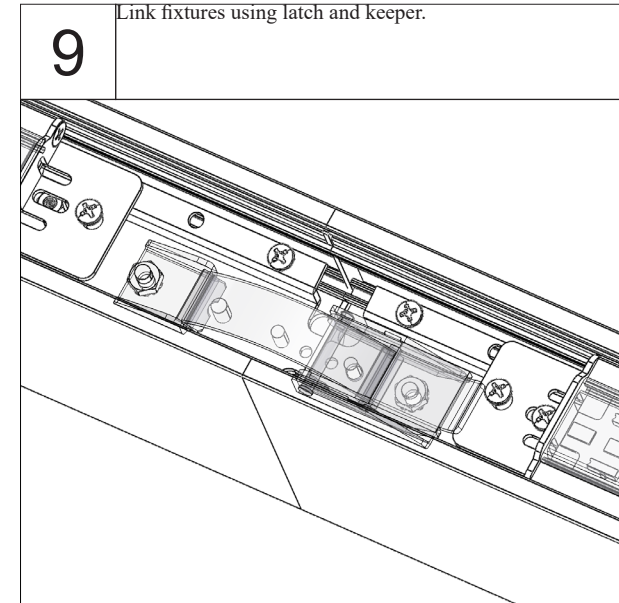
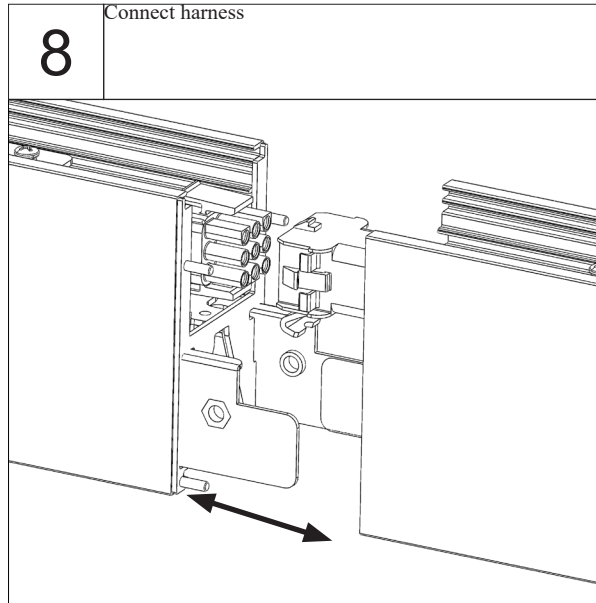
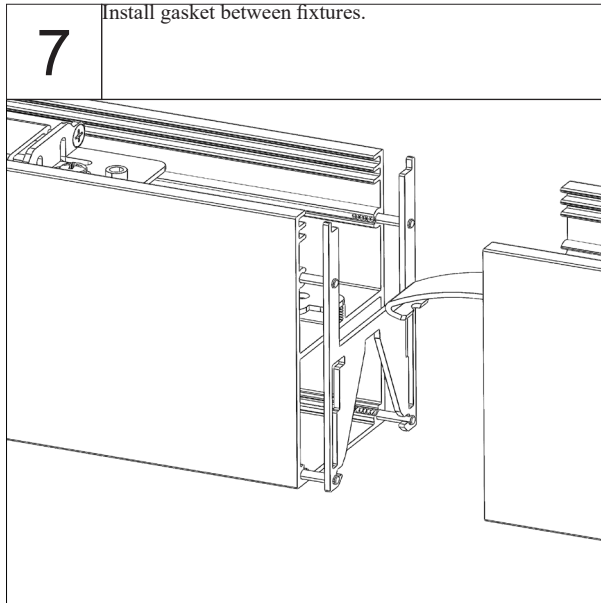
5 Level fixture by adjusting aircraft cable through grippers on both ends.

Power Cord Location

6 Hang middle fixture. Repeat steps 4. Middle fixture has one mount which should not exceed 8' from the last mounting location.

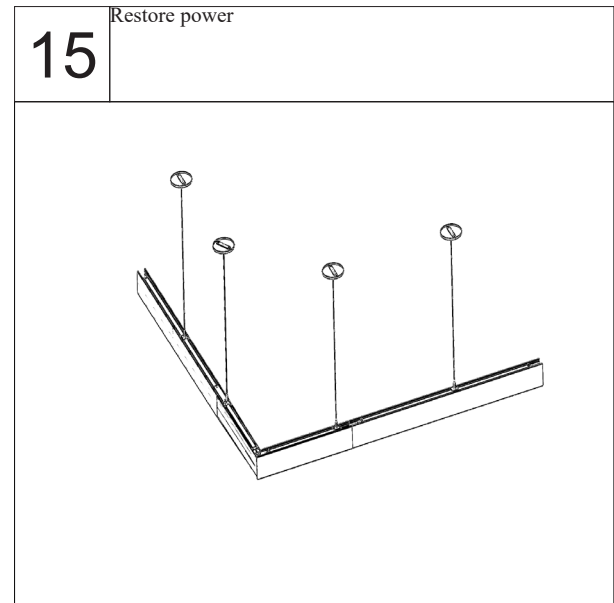
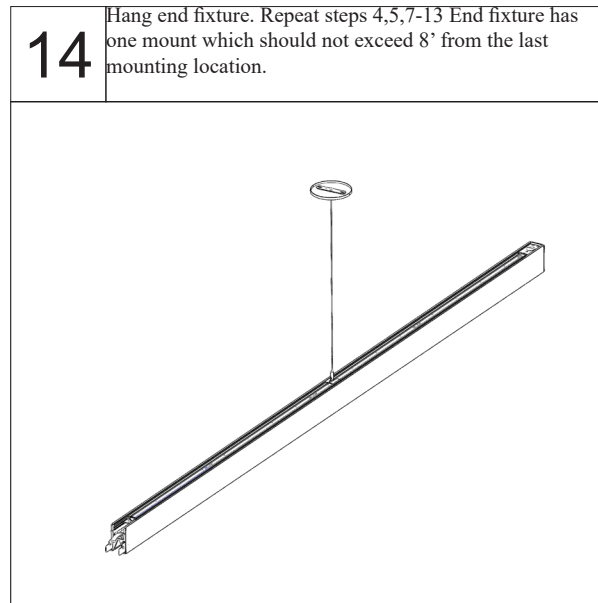
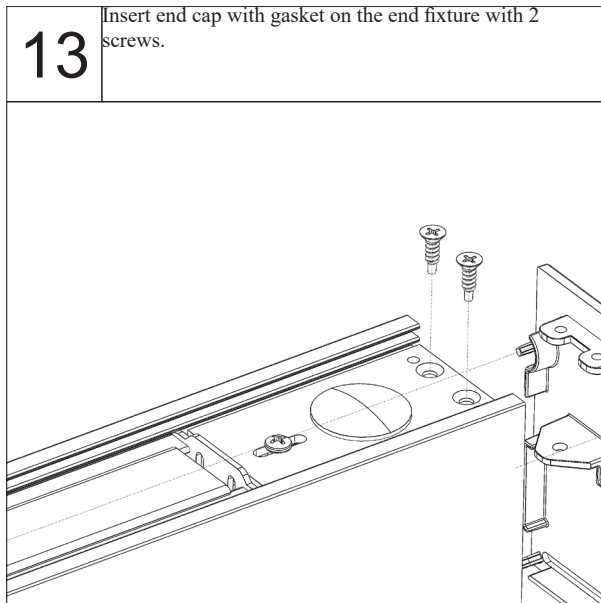
INSTALLATION INSTRUCTIONS

Shape Configuration PM Cont. (ACxxx) L



INSTALLATION INSTRUCTIONS

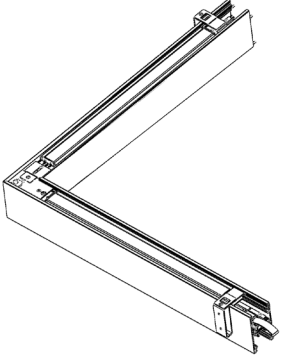
Shape Configuration PM Cont. (ACxxx) L



INSTALLATION INSTRUCTIONS

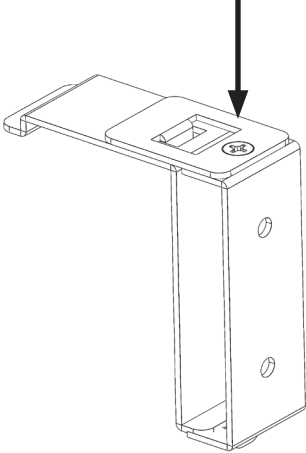
Shape Configuration Wall Mount (WM) L

1 Power must be turned off prior to disconnecting or re-connecting fixture. Hang starting fixture. Note all fixtures have 2 mounts.

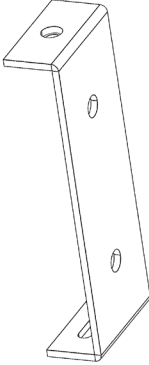


Wire Colors (standard)
 Black Hot
 White Neutral
 Green Ground
 Purple + Dim (0-10v)
 Gray - Dim (0-10v)

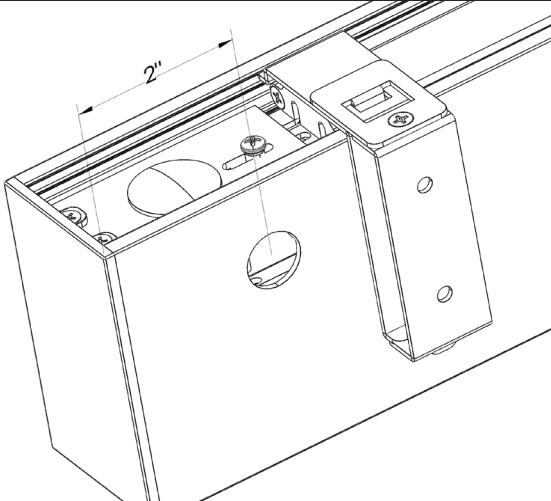
2 Remove top screw to release wall mount bracket.



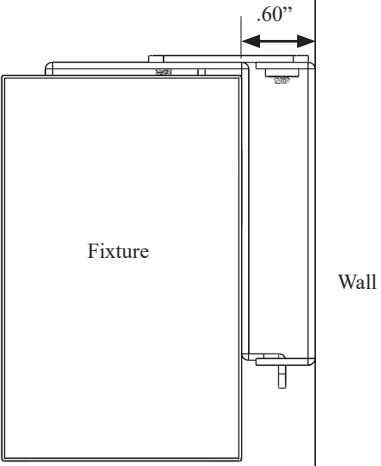
3 Locate mounting points according to supplied client drawing. Install brackets to wall.



4 Connect fixture wiring to line power.



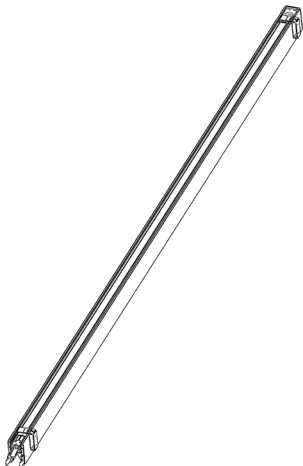
5



Fixture

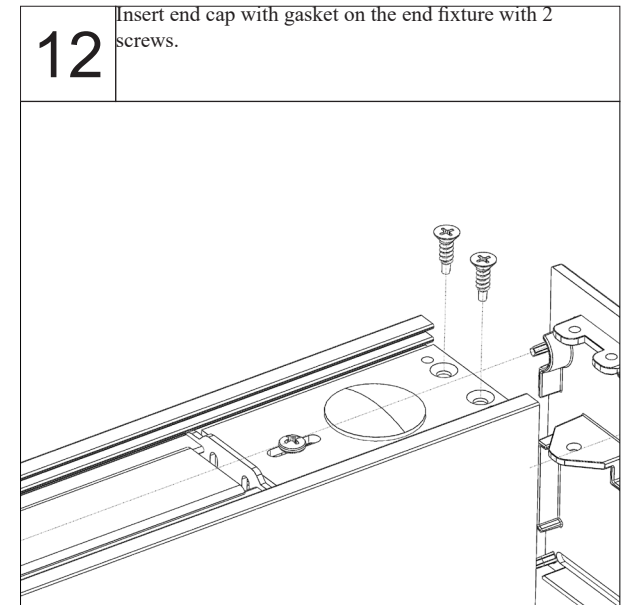
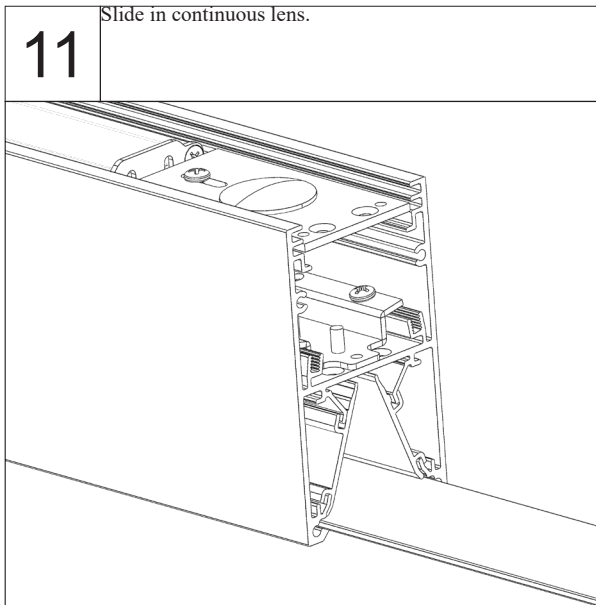
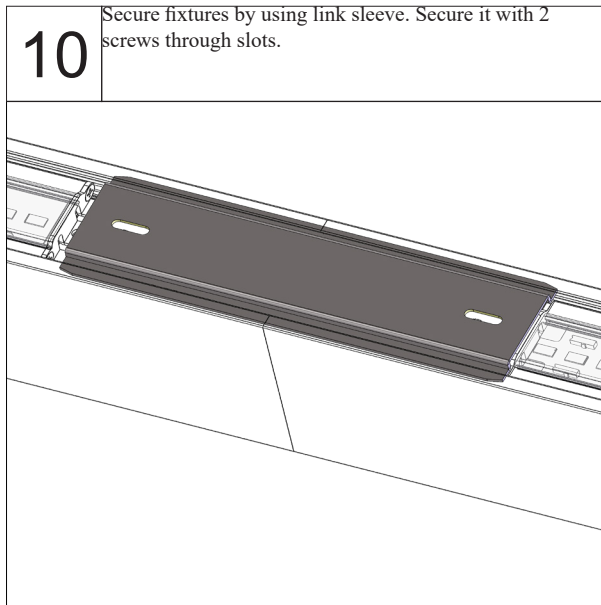
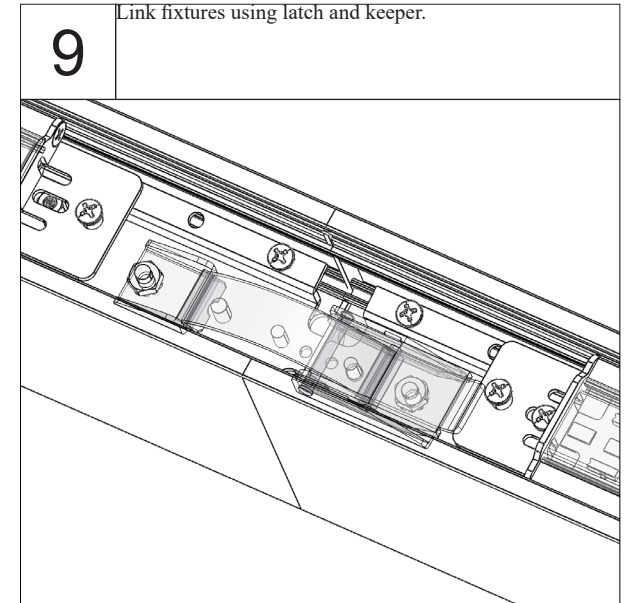
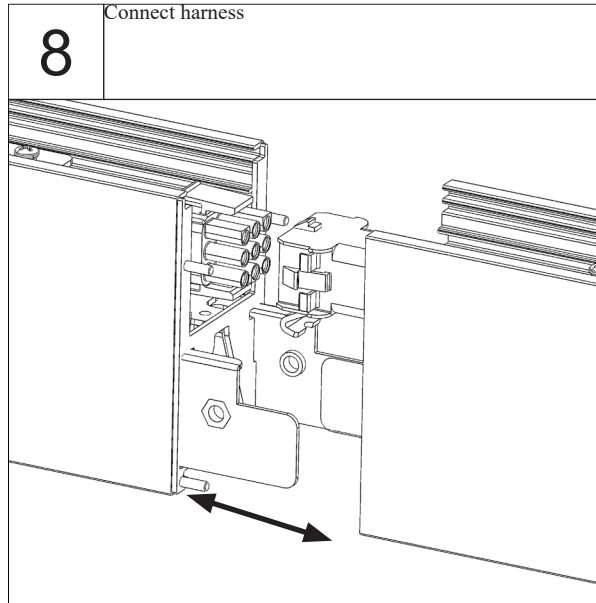
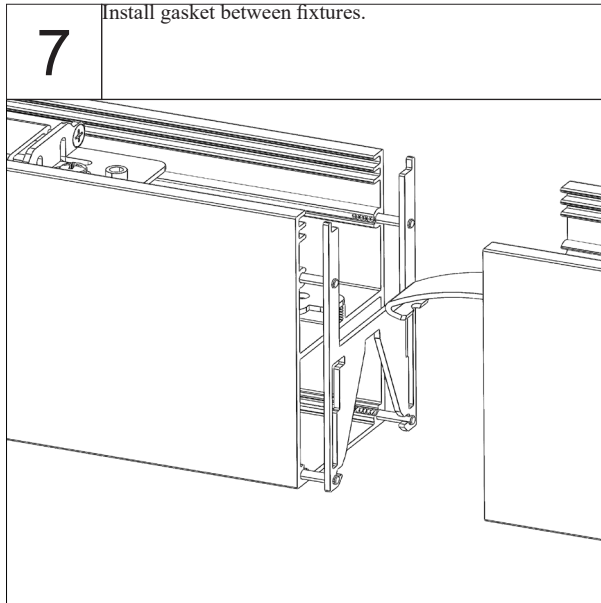
Wall

6 Hang end fixture. Repeat steps 2 & 3.



INSTALLATION INSTRUCTIONS

Shape Configuration Wall Mount Cont. (WM) L

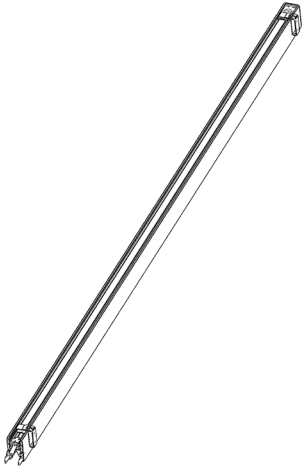


INSTALLATION INSTRUCTIONS

Shape Configuration Wall Mount Cont. (WM) L

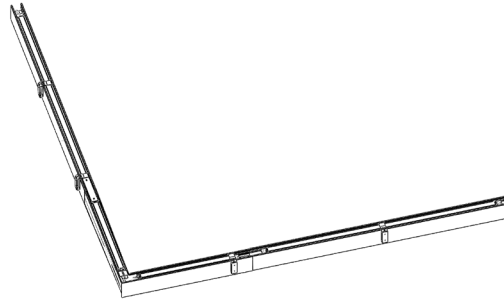
13

Hang end fixture. Repeat steps 2, 3, & 7-12.



14

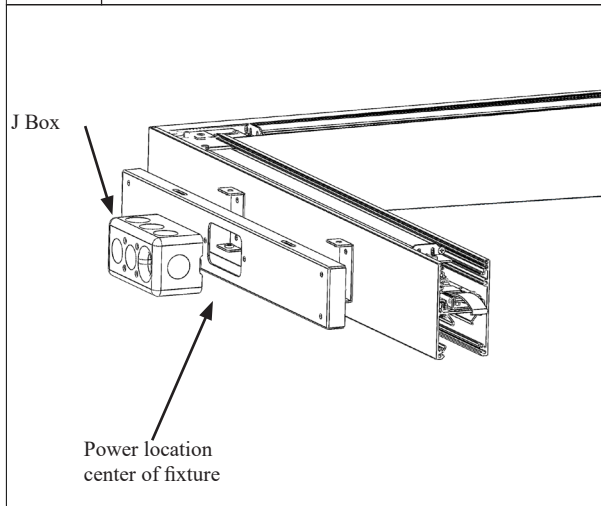
Restore power



INSTALLATION INSTRUCTIONS

Joint Shape Configuration Architectural Wall Mount (AWM) L

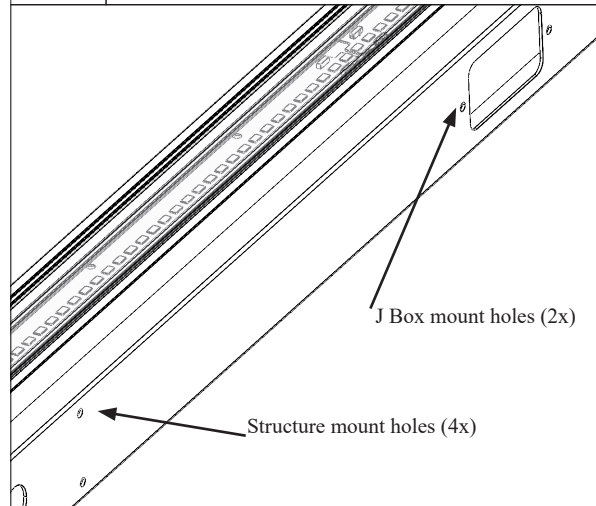
1 Power must be turned off prior to disconnecting or reconnecting fixture. Locate mounting points according to supplied client drawing.



J Box

Power location center of fixture

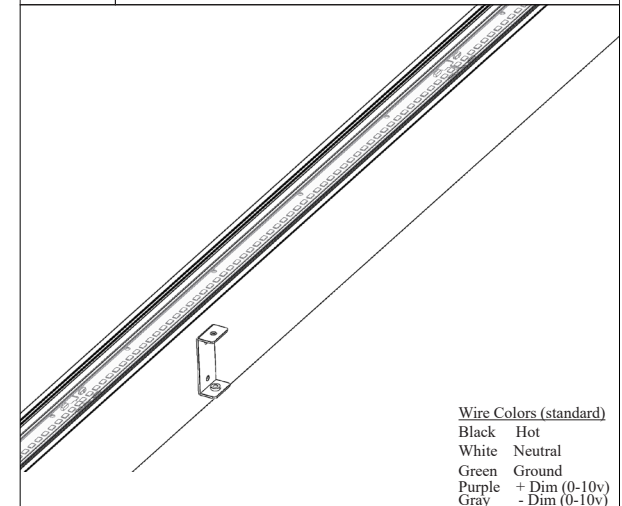
2 Remove wall mount bracket from fixture. Secure bracket to structure in desired locations.



J Box mount holes (2x)

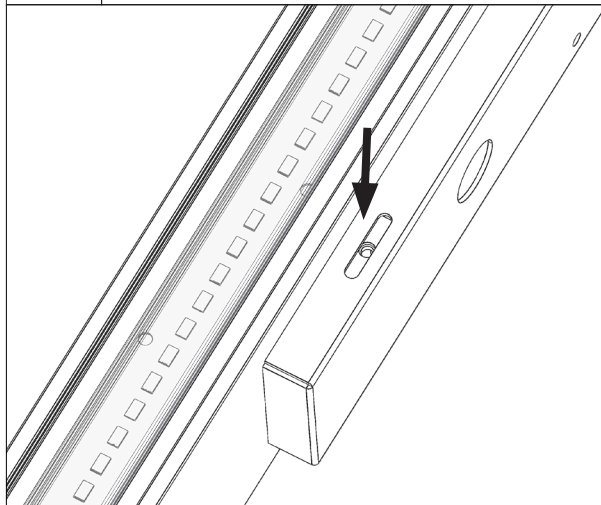
Structure mount holes (4x)

3 Connect fixture wiring to line power.




Wire Colors (standard)	
Black	Hot
White	Neutral
Green	Ground
Purple	+ Dim (0-10v)
Gray	- Dim (0-10v)

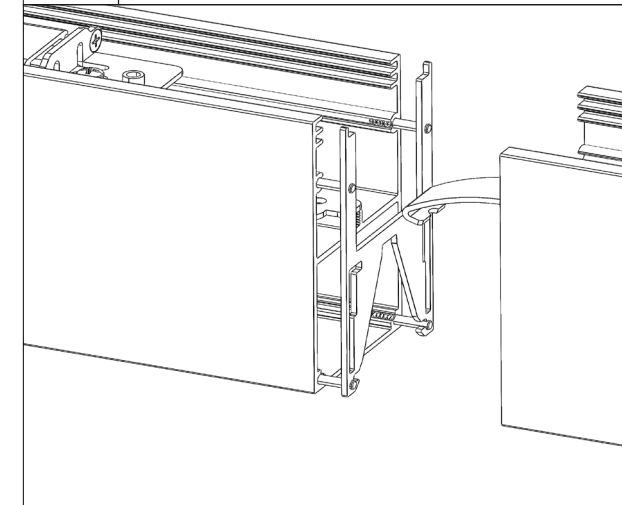
4 Use slots to center and secure fixture.



5 Hang end fixture. Locate mounting points according to supplied client drawing Repeat steps 2&4.

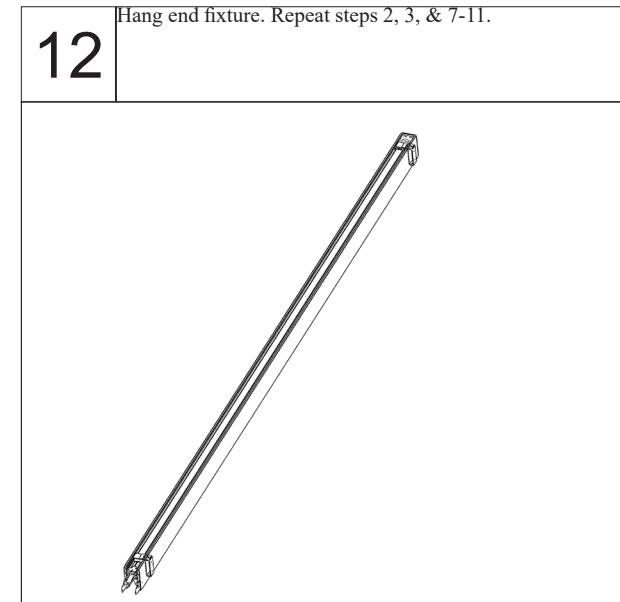
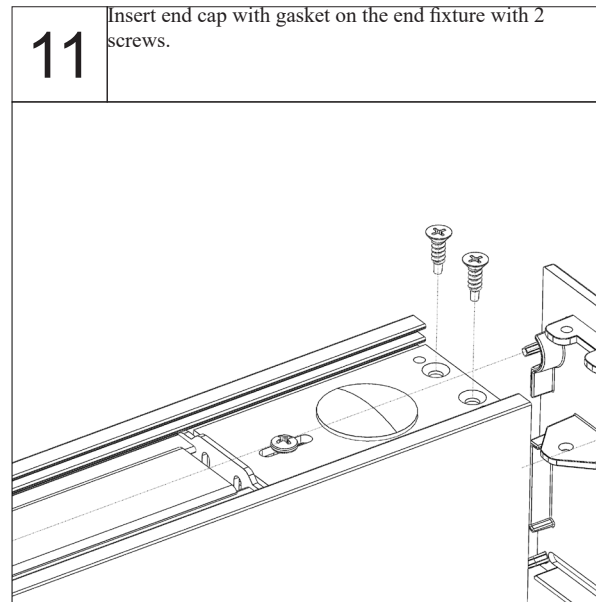
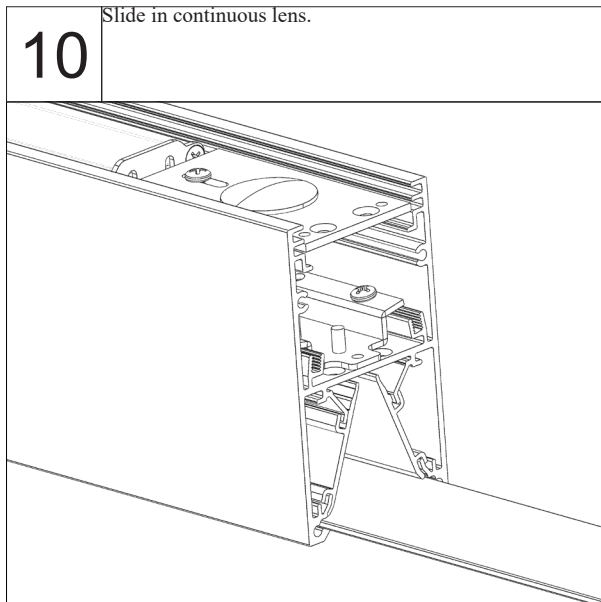
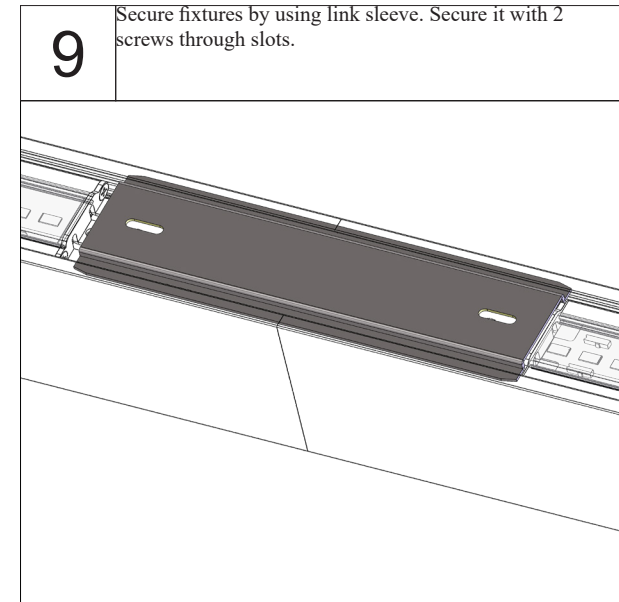
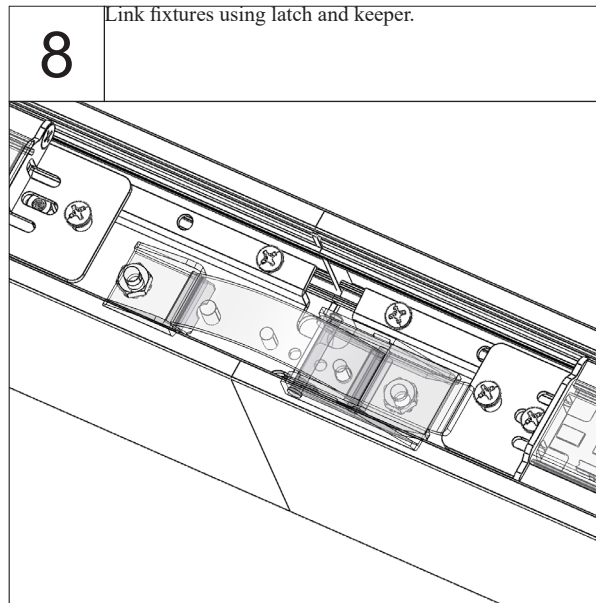
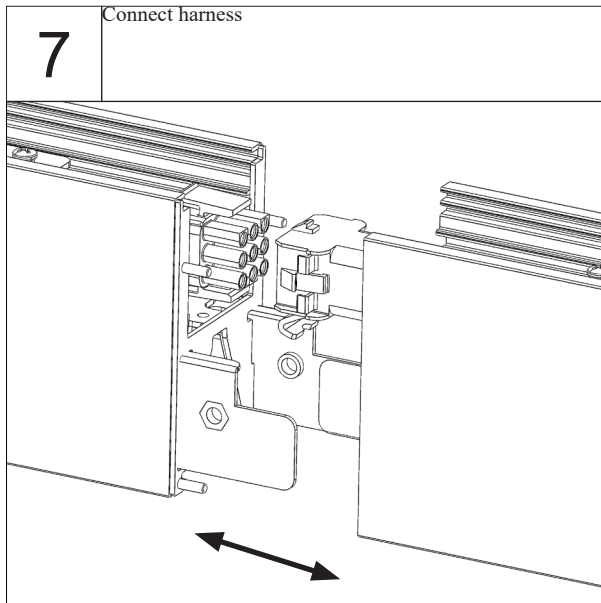


6 Install gasket between fixtures.



INSTALLATION INSTRUCTIONS

Joint Shape Configuration Architectural Wall Mount Cont.(AWM) L

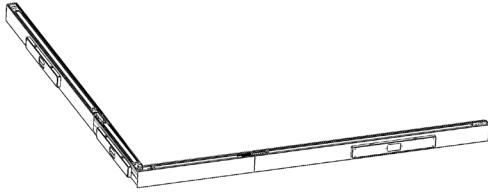


INSTALLATION INSTRUCTIONS

Shape Configuration Wall Mount Cont. (WM) L

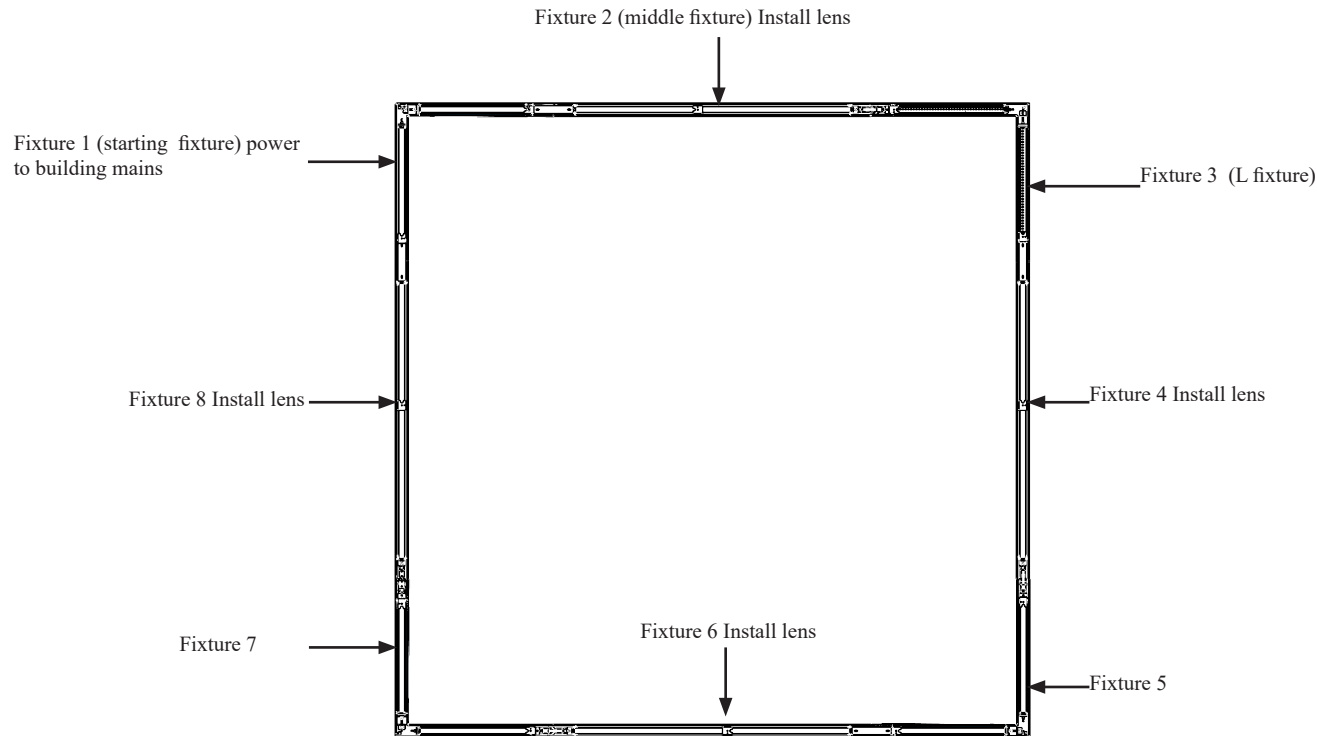
13

Restore power



INSTALLATION INSTRUCTIONS

Shape Continuous Stem With Canopy (STEMxxx) Sq or Rect



Step 1. Hang fixture 1

Step 2. Hang fixture 2. Connect fixtures 1&2. Slide in lens

Step 3. Hang fixture 3. Slide in lens to cap off that section and connect fixtures 3&2

Step 4. Hang fixture 4. Connect fixtures 4&3. Slide in lens

Step 5. Hang fixture 5. Slide in lens to cap off that section and connect fixtures 5&4

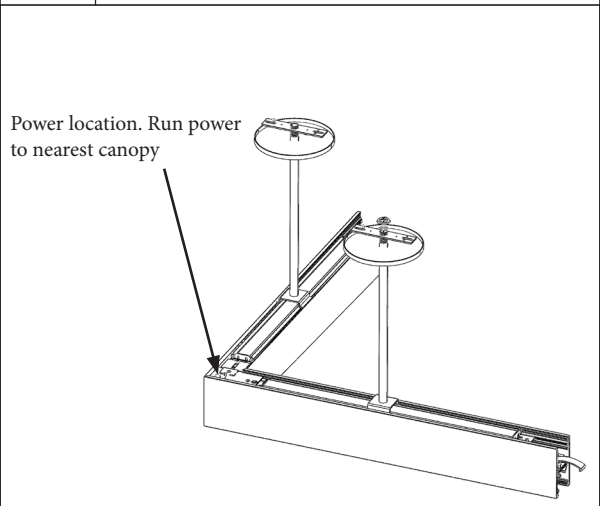
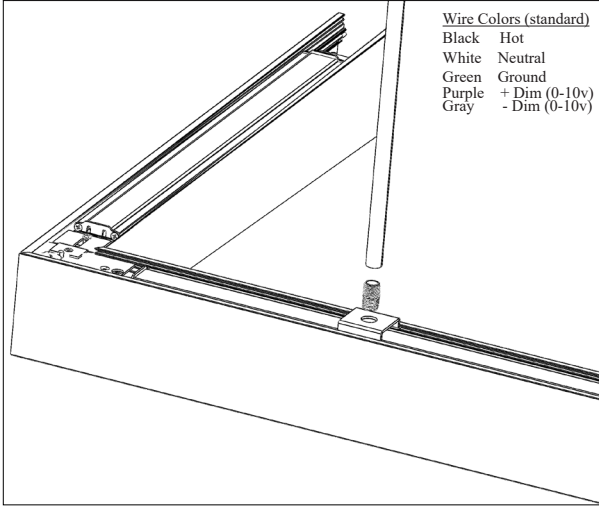
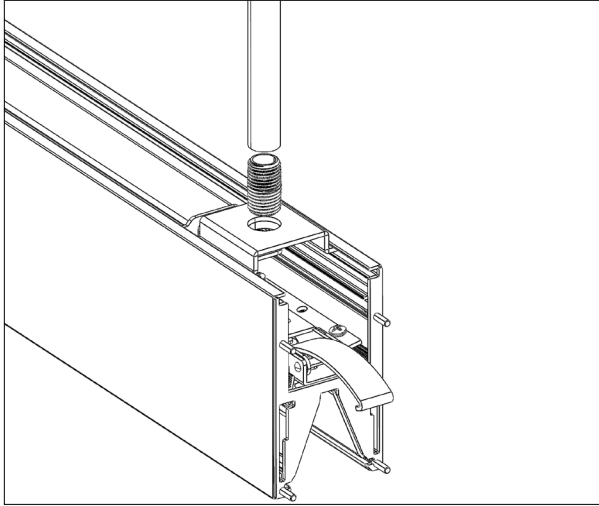
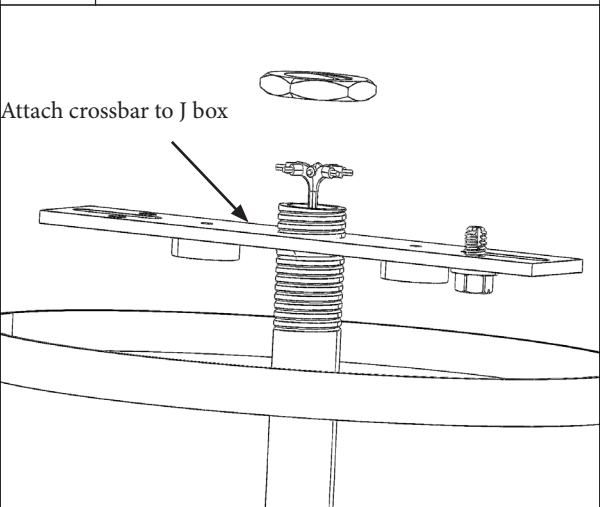
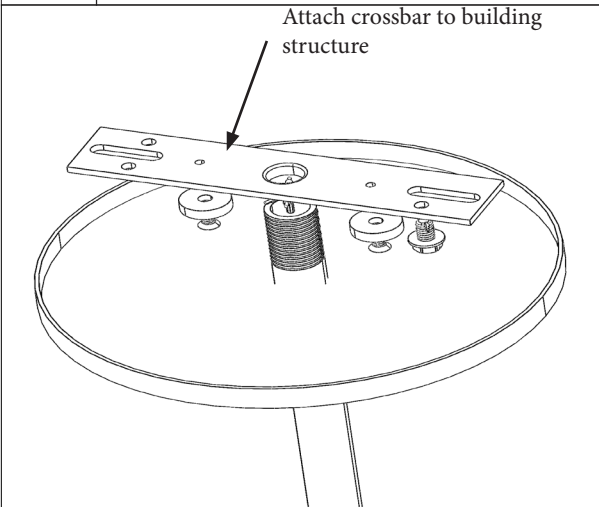
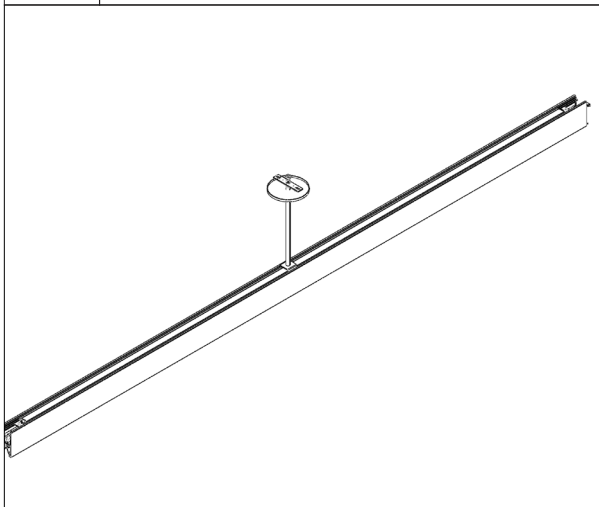
Step 6. Hang fixture 6. Connect fixtures 6&5. Slide in lens

Step 7. Hang fixture 7. Slide in lens to cap off that section and connect fixtures 7&6

Step 8. Hang fixture 8. Connect fixtures 8,7 slide in lens and connect fixtures 8&1

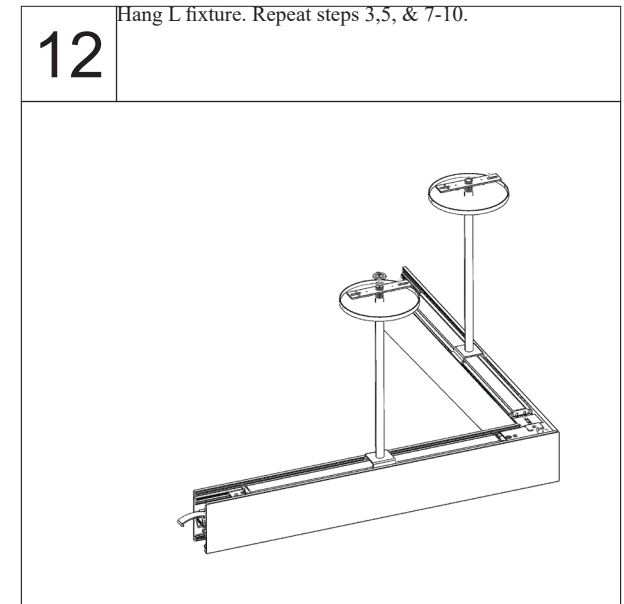
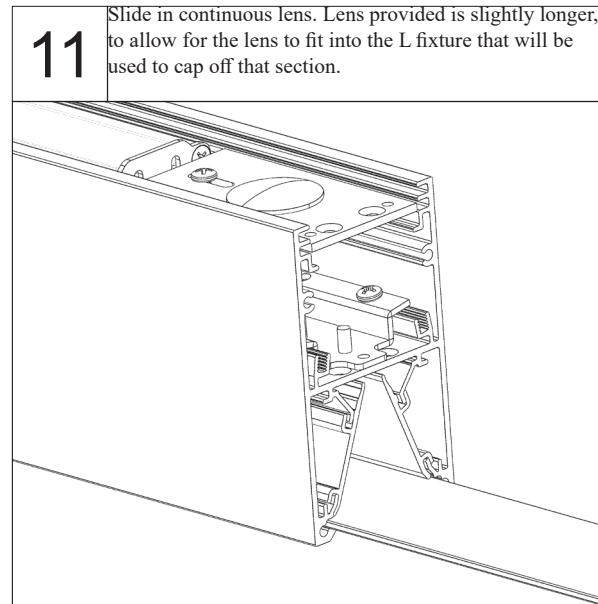
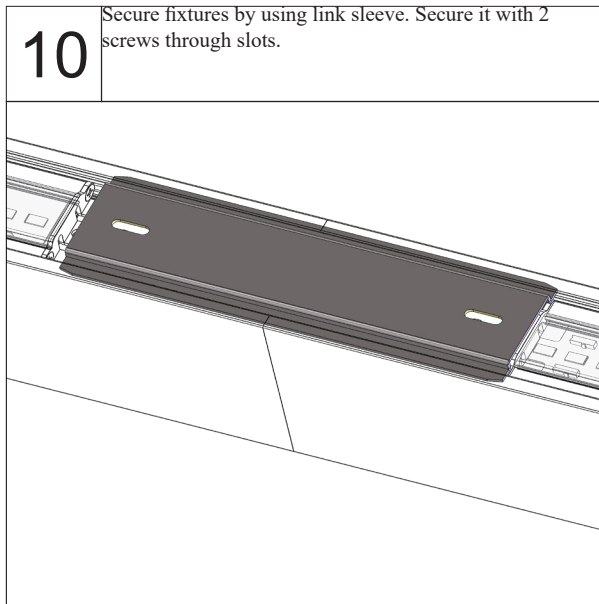
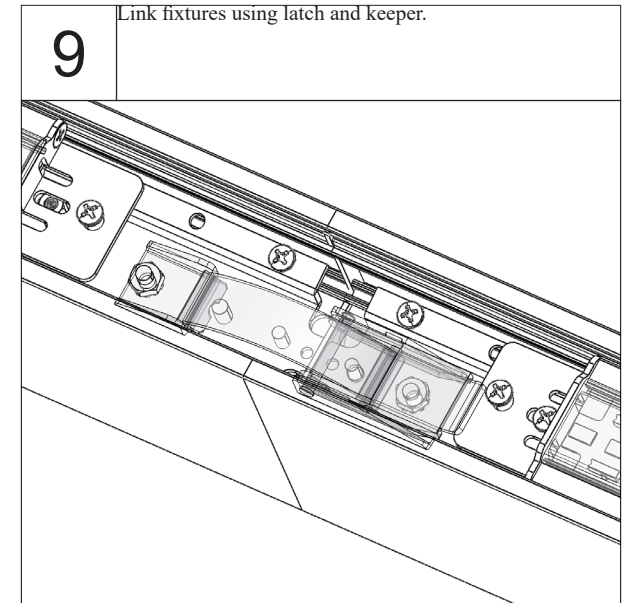
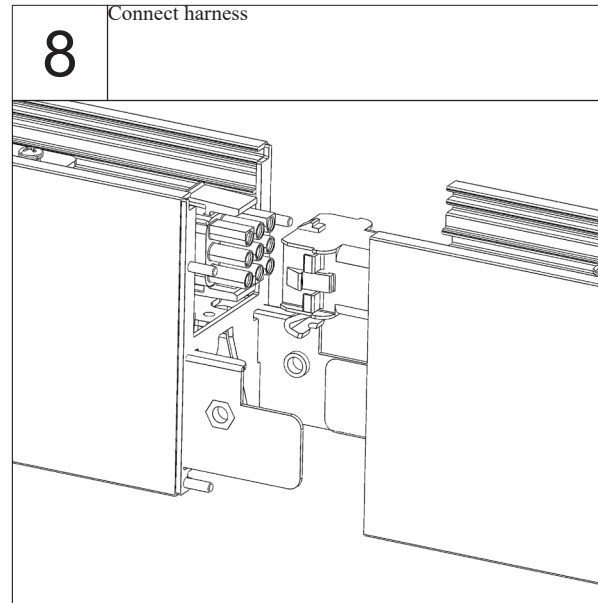
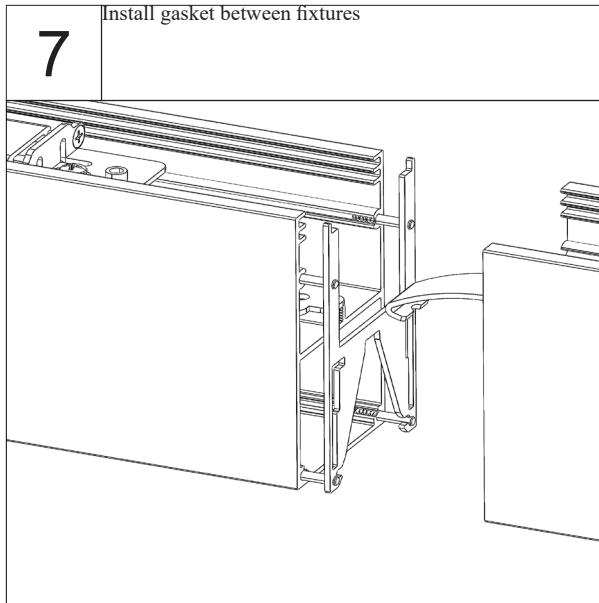
INSTALLATION INSTRUCTIONS

Shape Continuous Stem With Canopy (STEMxxx) Sq or Rect

1	Power Must be turned off prior to disconnecting or reconnecting fixture. Hang Starting fixture. Note starting fixture has 2 mounts.
 <p>Power location. Run power to nearest canopy</p>	
2	Feed power through pm mount bracket, nipple, stem and connect threaded stem to canopy.
 <p>Wire Colors (standard) Black Hot White Neutral Green Ground Purple + Dim (0-10v) Gray - Dim (0-10v)</p>	
3	Connect non-power stem to canopy.
	
4	Power feed canopy
 <p>Attach crossbar to J box</p>	
5	Non-power feed canopy
 <p>Attach crossbar to building structure</p>	
6	Hang middle fixture. Middle fixture has one mount which should not exceed 8' from the last mounting location of starting fixture. Repeat step 4-5.
	

INSTALLATION INSTRUCTIONS

Shape Continuous Stem With Canopy (STEMxxx) Sq or Rect

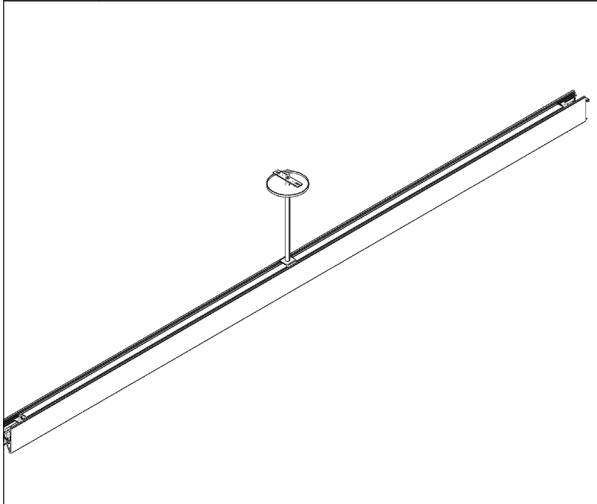


INSTALLATION INSTRUCTIONS

Shape Continuous Stem With Canopy (STEMxxx) Sq or Rect

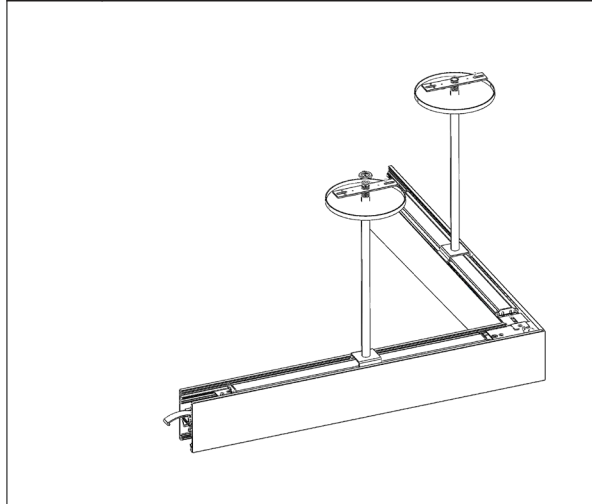
13

Hang middle fixture. Middle fixture has one mount which should not exceed 8' from the last mounting location of starting fixture. Repeat step 3,5, & 7-11.



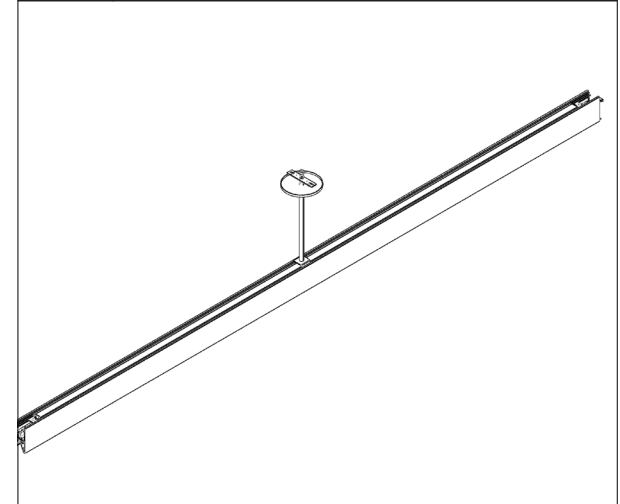
14

Hang L fixture. Repeat steps 3,5, & 7-10.



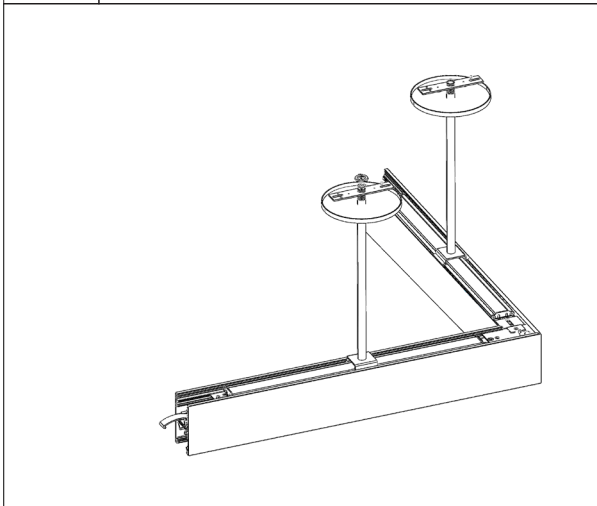
15

Hang middle fixture. Middle fixture has one mount which should not exceed 8' from the last mounting location of starting fixture. Repeat step 3,5, & 7-11.



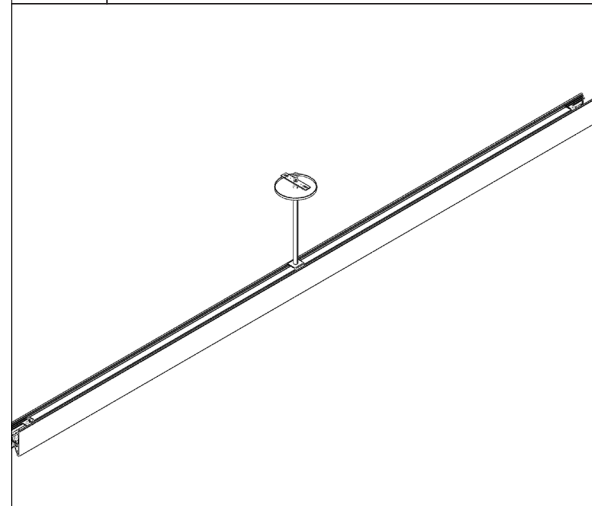
16

Hang L fixture. Repeat steps 3,5, & 7-10.



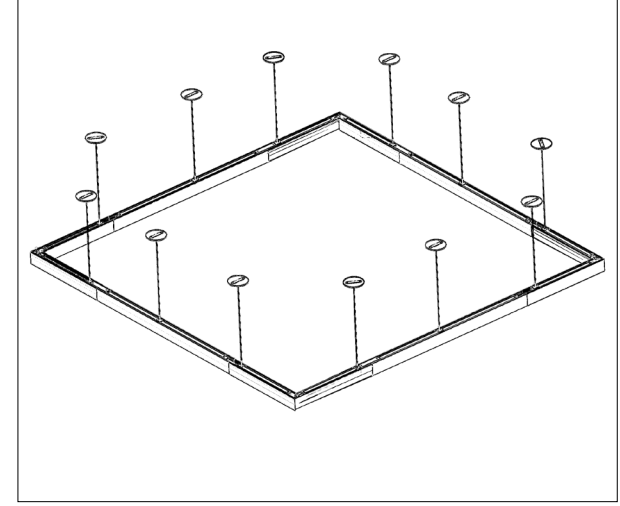
17

Hang middle fixture. Middle fixture has one mount which should not exceed 8' from the last mounting location of starting fixture. Repeat step 3,5, & 7-11.



18

Restore Power



INSTALLATION INSTRUCTIONS

Shape Continuous Stem With Canopy (STEMxxx) L

1 Power Must be turned off prior to disconnecting or reconnecting fixture. Hang Starting fixture. Note starting fixture has 2 mounts.

Power location. Run power to nearest canopy

2 Feed power through pm mount bracket, nipple, stem and connect threaded stem to canopy.

Wire Colors (standard)
 Black Hot
 White Neutral
 Green Ground
 Purple + Dim (0-10v)
 Gray - Dim (0-10v)

3 Connect non-power stem to canopy.

4 Power feed canopy

Attach crossbar to J box

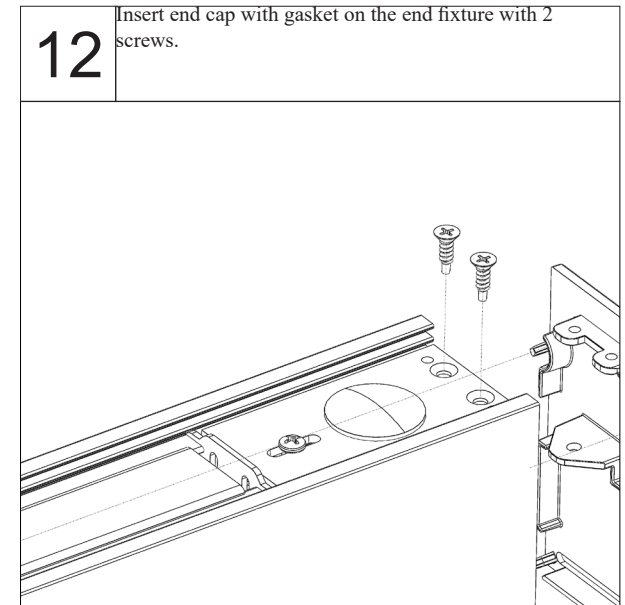
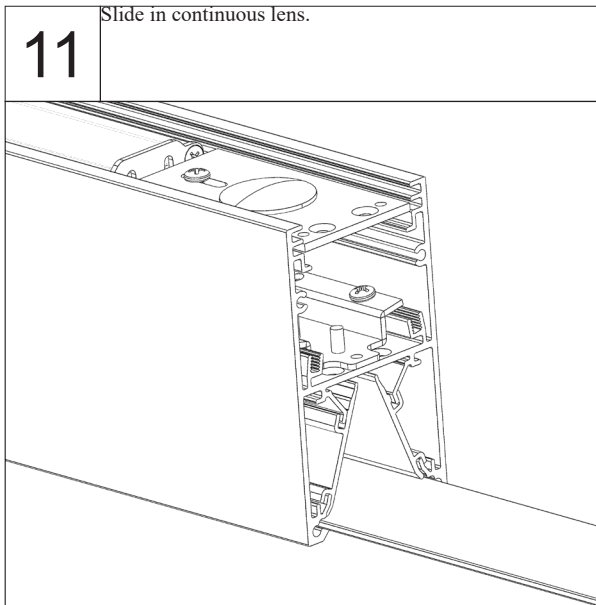
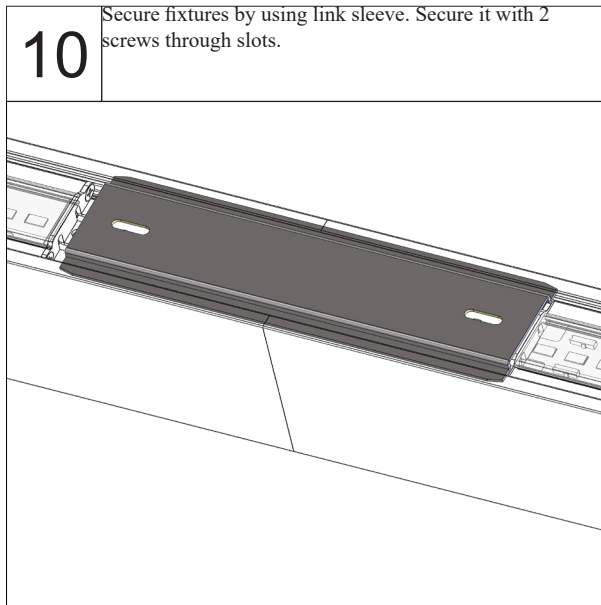
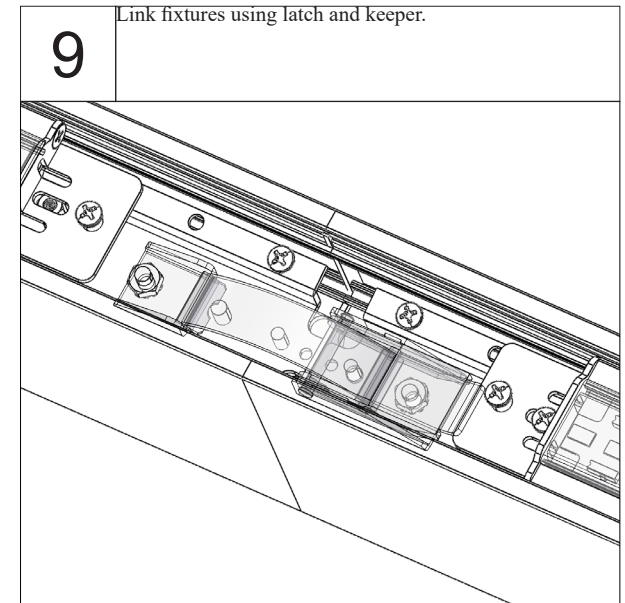
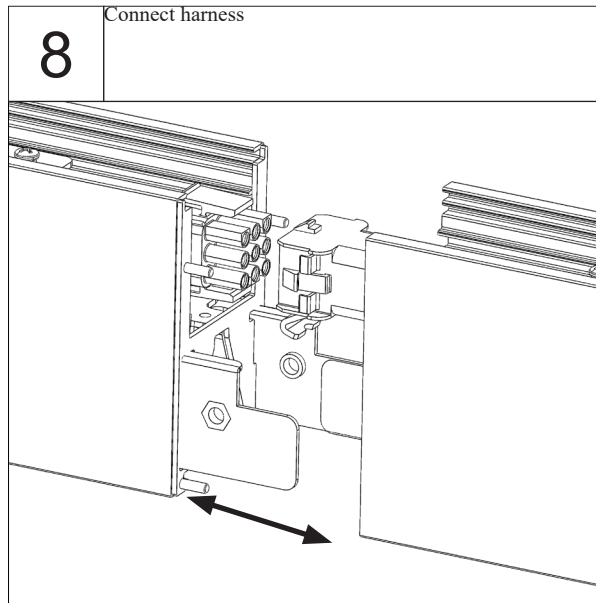
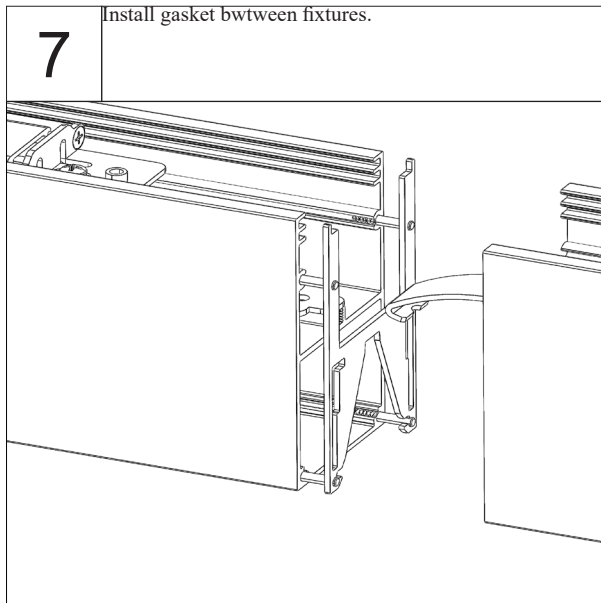
5 Non-power feed canopy

Attach crossbar to building structure

6 Hang end fixture. End fixture has one mount which should not exceed 8' from the last mounting location. Repeat steps 3 & 5.

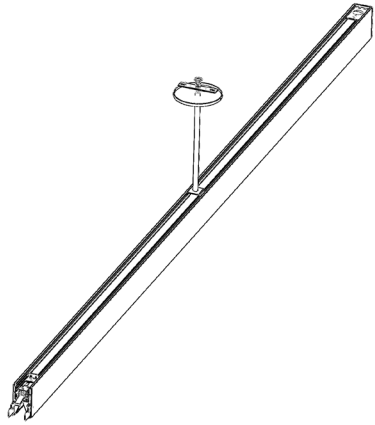
INSTALLATION INSTRUCTIONS

Shape Continuous Stem With Canopy (STEMxxx) L



INSTALLATION INSTRUCTIONS

Shape Continuous Stem With Canopy (STEMxxx) L

6	Hang end fixture. End fixture has one mount which should not exceed 8' from the last mounting location. Repeat steps 3,5, & 7-12.
	

15	Restore power
