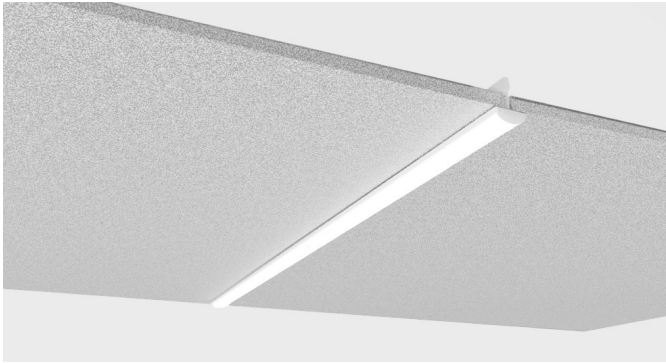
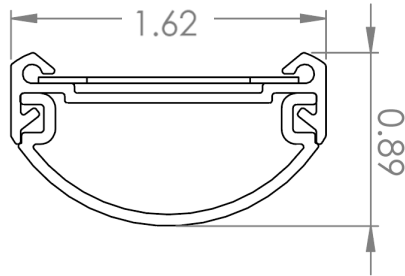


Type:	
Project:	
REP/Agent:	
Order #:	

# MICRO ROUND



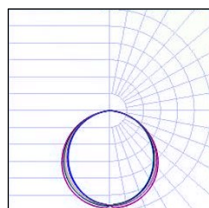
## DIMENSIONS



## FEATURES

- ★ Soft diffused direct illumination in a sleek modern minimalist style.
- ★ Thermally efficient extruded aluminum single piece housing
- ★ 2', 4', 6', and 8' individual units, or custom lengths
- ★ Powder coat finishes available in white and black
- ★ 0-10v dimming is standard
- ★ Dim to 1% of output current is standard
- ★ Class 2 output for luminaire
- ★ 120-277 for power enclosures
- ★ Approved for dry and damp locations
- ★ Plenum rated cable is standard
- ★ Plenum rated enclosures available
- ★ Three power choices of Hyperdrive remote power system
- ★ 90 CRI (R9 50 min) available
- ★ 5 year system warranty
- ★ Class 2 input for luminaire

## DISTRIBUTION



SD= SatinIce Diffuse  
500 lm/h

## LUMEN PACKAGES

Based on 3500K CCT. Other CCT available.

MODEL	LUMENS	INPUT WATTS	Lm/W
MRND-4-1000-SD-35K-80	4,000	34	118
MRND-8-1000-SD-35K-80	8,000	65	123



Type:	
Project:	
REP/Agent:	
Order #:	

# MICRO ROUND

MRND					
SERIES	LENGTH	LUMENS PER FOOT	DISTRIBUTION	CCT	CRI
MRND	4= 4FT 8= 8FT XX= Custom Length _x_RECT=Rectangle _x_L= L-Shape _x_U= U-Shape	350= 350 LPF 500= 500 LPF 750= 750 LPF 1000= 1000 LPF xxx= Custom LPF	SD= SatinIce Diffuse	27K= 2700K 30K= 3000K 35K= 3500K 40K= 4000K 50K= 5000K	80= 80 90= 90 (R9 50 min)

FINISH	MOUNTING (See Page 6-8 for Options)	ELECTRICAL
<p><b>STANDARD</b></p> <p>PW= Powder Coat White PB= Powder Coat Black</p> <p><b>PREMIUM</b></p> <p>RALxxxx= Powder Coat RAL xxxx</p> <p>See pg. 7 for options.</p>	<p><b>POWERED CANOPY</b> (Driver included, 120-277V)<sup>a</sup></p> <p>PCW= Powered Canopy White PCB= Powered Canopy Black</p> <div style="border: 1px solid black; padding: 5px;"> <p><b>CANOPY RECESSED</b></p> <p>CRW= Canopy Recessed White CRB= Canopy Recessed Black</p> <p><b>CANOPY T-GRID</b></p> <p>CTW= Canopy T-Grid White CTB= Canopy T-Grid Black</p> <p><b>CANOPY SURFACE</b></p> <p>CSW= Canopy Surface White CSB= Canopy Surface Black</p> <p><b>T-GRID<sup>1</sup></b></p> <p>TB1= 9/16" Grid TB2= 15/16" Grid TB3= 9/16" Grid (Tegular) TB4= 15/16" Grid (Tegular)</p> <p><b>SURFACE</b></p> <p>SMM= Surface Mount Magnet</p> <p><b>*Items in grey box require Hyperdrive Remote Driver*</b></p> </div>	<p>1C= Single Circuit MC= Multiple Circuits (multiple switch legs across run length) EC= Emergency Circuit (separate power drops for EC fixtures)</p>

REMOTE OPTIONS	HYPERDRIVE CIRCUIT
<p>Ex= EM Battery designated fixture (Ordered with Hyperdrive) Replace X with battery Qty. Not available with Powered Canopy, Consult factory</p>	<p>HDxx= HyperDrive Circuit Not required for the Powered Canopy configuration</p>

EXAMPLE: MRND-4-750-SD-35K-80-PW-CSW-HD01

<sup>1</sup> Requires Hyperdrive Remote Driver  
<sup>2</sup> Tunable White Driver must be specified  
<sup>3</sup> 50W Max. Dual driver required

Type:	
Project:	
REP/Agent:	
Order #:	

# HYPER DRIVE REMOTE POWER SYSTEM

HYPD				
SERIES	SIZE / DRIVER QTY	EMERGENCY BATTERY (OPTIONAL)	MOUNTING	FINISH
HYPD	<p>Replace x with driver quantity</p> <p><b>Sx</b>= Small– up to two drivers (190W)</p> <p><b>Mx</b>= Medium– up to four drivers (300W)</p> <p><b>Lx</b>= Large– up to eight drivers (600W)</p>	<p>Replace # with battery quantity</p> <p><b>NB</b>= No Emergency Battery</p> <p><b>#EMB6</b>= 6W EM Battery (Bodine)</p> <p><b>#EMB10</b>= 10W EM Battery (Bodine)</p> <p><b>#FCEMB10</b>= 10W EM Battery (Factory Choice)</p> <p><i>Note: Batteries are only available in Medium and Large enclosures. Each emergency battery reduces the driver quantity of the Hyper Drive.</i></p>	<p><b>S</b>= Surface/ Strut</p> <p><b>R</b>= Recessed</p>	<p><b>STANDARD</b></p> <p><b>PW</b>= Powder Coat White</p> <p><b>PB</b>= Powder Coat Black</p> <p><b>PREMIUM</b></p> <p><b>RALxxxx</b>= Power Coat</p> <p>RAL xxxx (Gloss Finish)</p>

VOLTAGE	OPTIONS	HYPERDRIVE CIRCUIT
U= 120-277	<p><b>SPECIALTY DRIVERS</b> (Standard driver is 0-10V, dim to 1% output current)</p> <p><b>DT1</b>= eldoLED EcoDrive Dim to 1% (0-10V)</p> <p><b>DTZ</b>= eldoLED SoloDrive Dim to 0.1% (0-10V)</p> <p><b>PSRD</b>= Signify Sensor Ready (DALI) Driver</p> <p><b>LDE1</b>= Lutron Hi-Lume EcoSystem LED driver w/ Soft-on, Fade-to-Black</p> <p><b>TW-A</b>= Tunable White, 0-10v</p> <p><b>TW-EL</b>= eldoLED DUALdrive Tunable White (DALI)</p> <p>Consult factory for additional driver options</p> <p><i>Note: Specialty driver options are not available with the small power-box option, with the exception of TW-A</i></p> <p><b>SENSORS</b></p> <p>Consult factory for options</p> <p><b>OTHERS</b></p> <p><b>CP</b>= Chicago Plenum (CCEA)</p>	<p><b>HDxx</b>= HyperDrive Circuit</p>

**EXAMPLE: HYPD-L8-R-PW-DTZ-HD01**

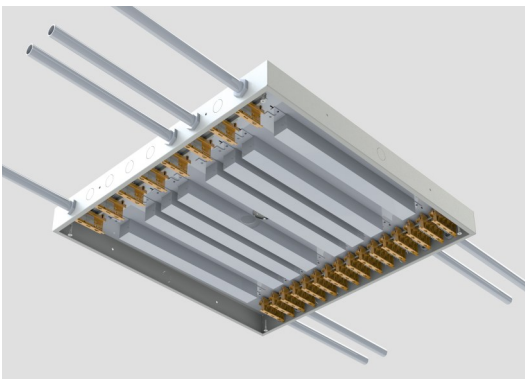
## NOTES & LIMITATIONS

One driver is required per direct only fixture (8' max length)

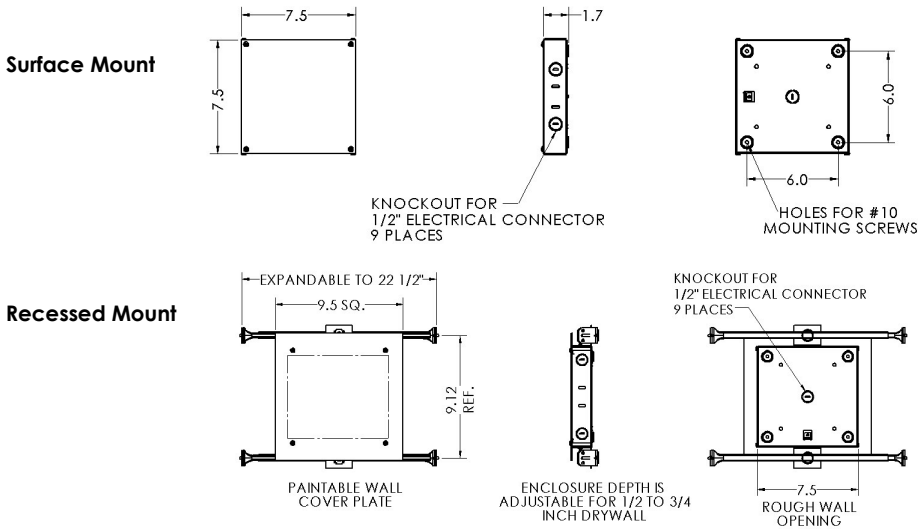
Consult factory for custom configurations and drivers not listed.

### L8 configuration shown (shown with front cover removed)

Each driver is provided with a terminal block on both input and output side for ease of wiring and installation.

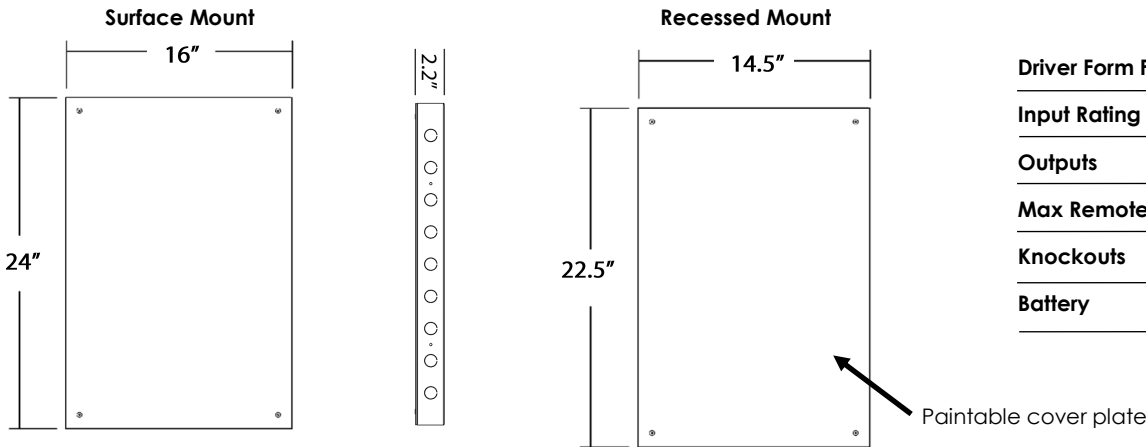


## Sx (Small Hyper Drive Remote Canopy)



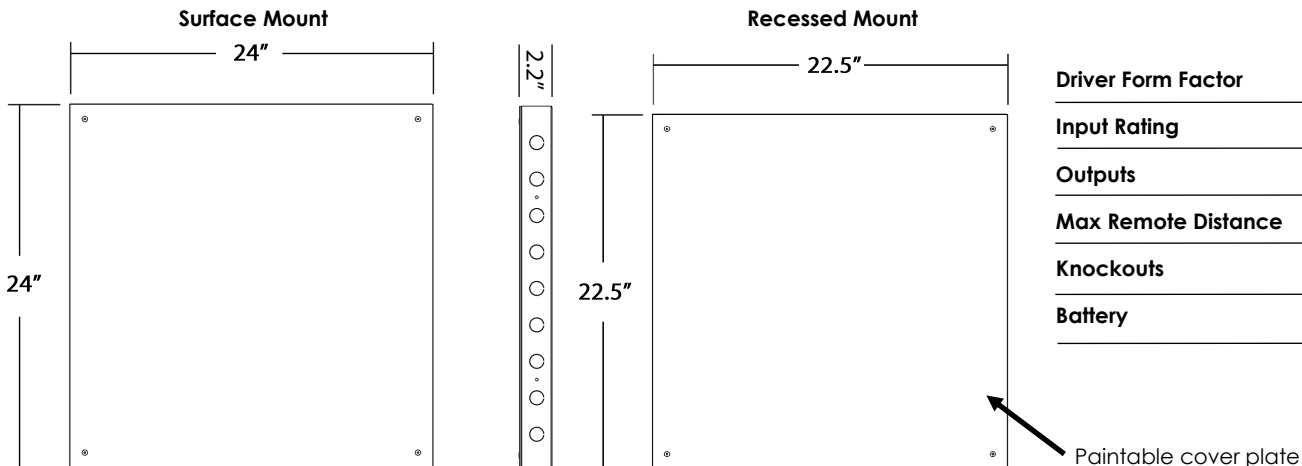
<b>Driver Form Factor</b>	Compact
<b>Input Rating</b>	120-277V
<b>Outputs</b>	Up to 2 (190W max)
<b>Max Remote Distance</b>	Up to 100' (30.5m)
<b>Knockouts</b>	(9) 1/2"
<b>Battery</b>	Not Available

## Mx (Medium Hyper Drive Remote Canopy)



<b>Driver Form Factor</b>	Linear
<b>Input Rating</b>	120-277V
<b>Outputs</b>	Up to 4 (300W max)
<b>Max Remote Distance</b>	Up to 100' (30.5m)
<b>Knockouts</b>	(20) 1/2"
<b>Battery</b>	Available

## Lx (Large Hyper Drive Remote Canopy)



<b>Driver Form Factor</b>	Linear
<b>Input Rating</b>	120-277V
<b>Outputs</b>	Up to 8 (600W max)
<b>Max Remote Distance</b>	Up to 100' (30.5m)
<b>Knockouts</b>	(20) 1/2"
<b>Battery</b>	Available

## How to use this guide

Fill out the worksheet to specify your requirements for your configurations. Be sure to callout battery and sensor locations.

Refer to the run chart for standard run configurations on linear lengths, consult factory for custom configurations.

Use the order guide to create your BOM for your configuration.

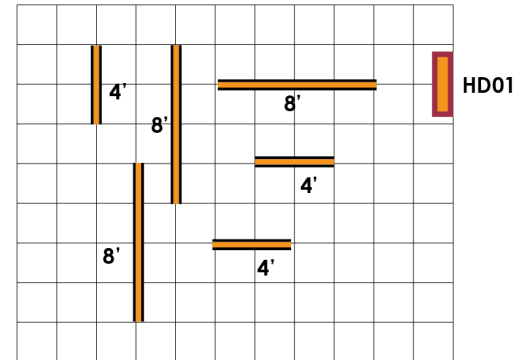
Submit the worksheet along with your order.

## #1 Example Bill of Materials

Qty. Type

3	MRND-8-750-SD-35K-80-PW-CSW-HD01	
3	MRND-4-750-SD-35K-80-PW-CSW-HD01	
1	HYPD-L6-NB-R-PW-DTZ-HD01	

## #1 Example Configuration



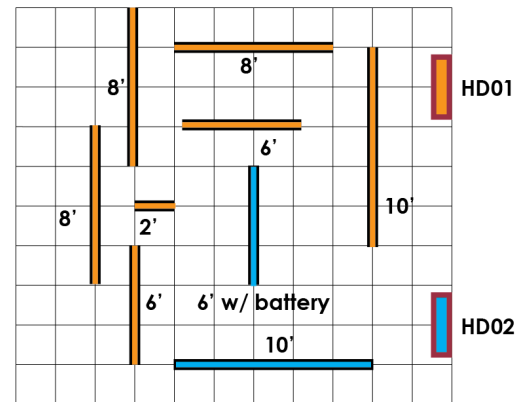
Note: Low Voltage Power transfer wire between fixture and HyperDrive remote power system provided by others.

## #2 Example Bill of Materials

Qty. Type

3	MRND-8-750-SD-35K-80-PW-CSW-HD01	
2	MRND-6-750-SD-35K-80-PW-CSW-HD01	
1	MRND-2-750-SD-35K-80-PW-CSW-HD01	
1	MRND-10-750-SD-35K-80-PW-CSW-HD01	
1	MRND-6-750-SD-35K-80-PW-CSW-E1-HD02	
1	MRND-10-750-SD-35K-80-PW-CSW-HD02	
1	HYPD-L8-NB-R-PW-DTZ-HD01	
1	HYPD-M3-1EMB6-R-PW-DTZ-HD02	

## #2 Example Configuration



Note: Low Voltage Power transfer wire between fixture and HyperDrive remote power system provided by others.

# MICRO ROUND

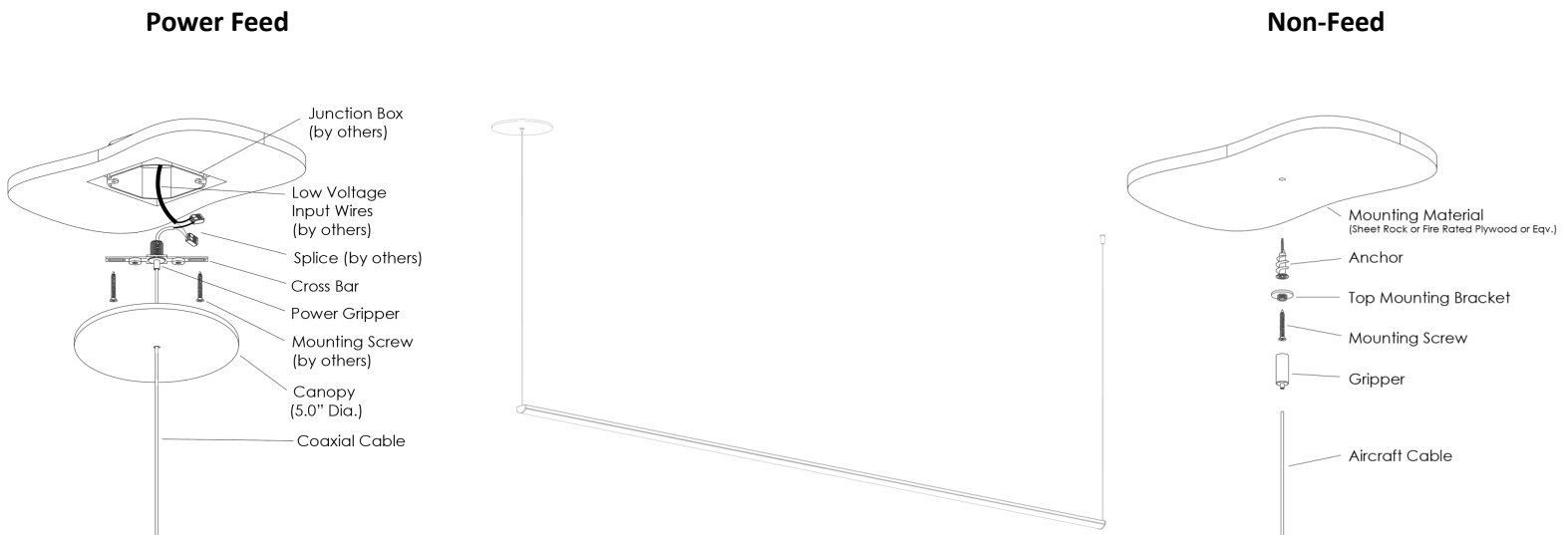
## MOUNTING OPTIONS

**2' - 6' Fixtures require 1 Non-Feed Mount. Fixtures larger than 6' require 2 Non-Feed Mount.**

### PCx - Powered Canopy (Driver Included)



### CRx - Canopy Recessed

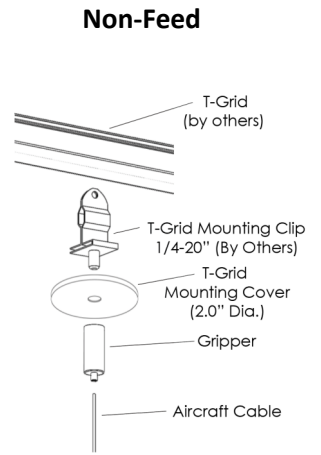
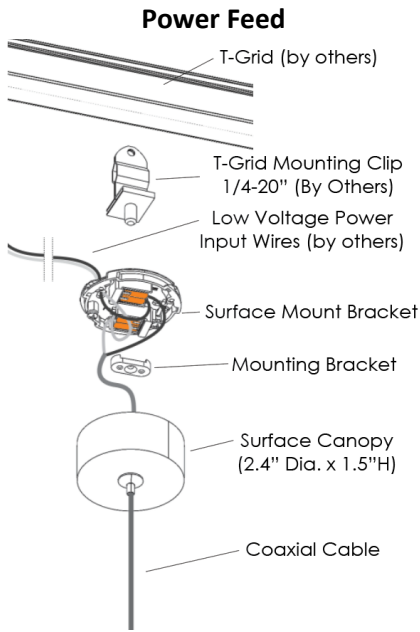


**REQUIRES  
HYPERDRIVE**

# MICRO ROUND

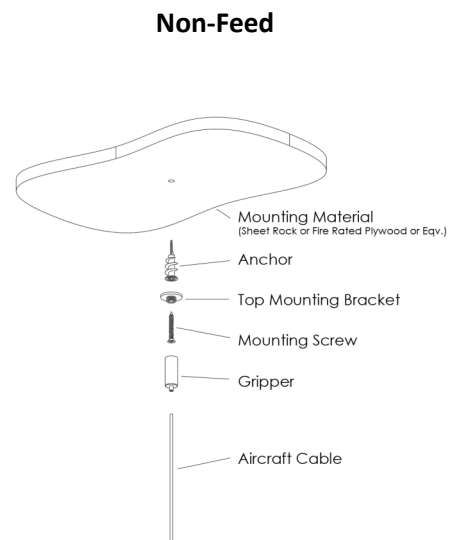
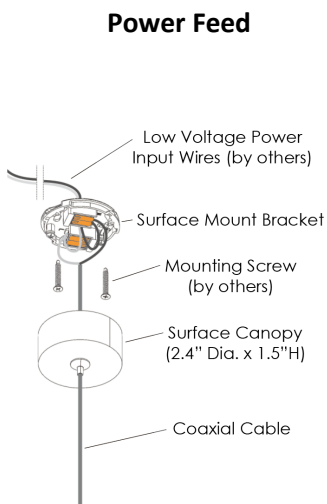
## MOUNTING OPTIONS

### CTx - Canopy T-Grid



**REQUIRES  
HYPERDRIVE**

### CSx - Canopy Surface



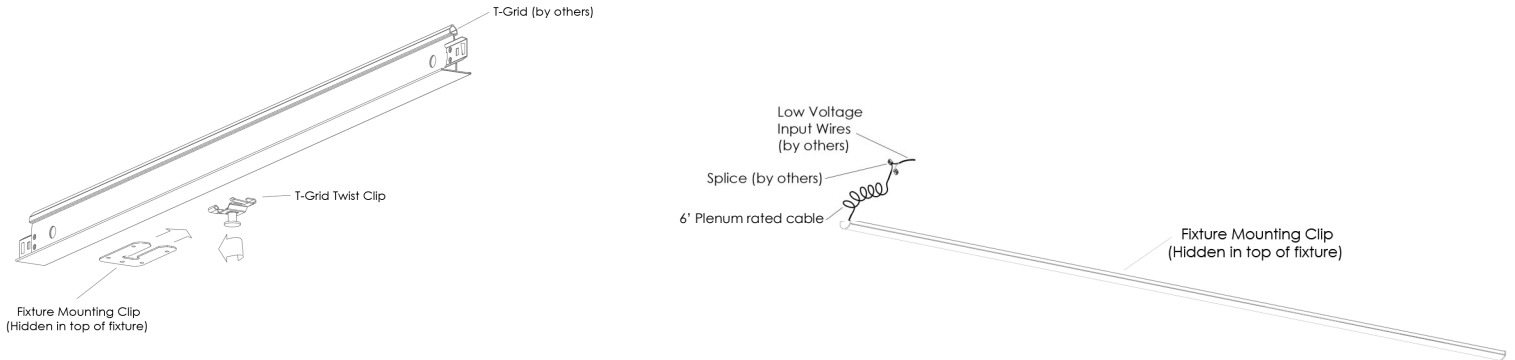
**REQUIRES  
HYPERDRIVE**

# MICRO ROUND

## MOUNTING OPTIONS

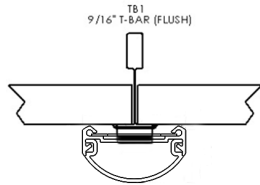
### TBx - T-Grid

#### Twist Clip Mount

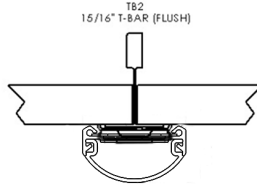


**REQUIRES  
HYPERDRIVE**

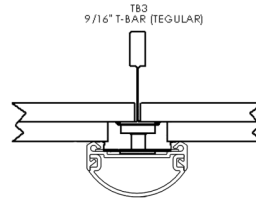
**TB1**  
(9/16" T-Bar Flush)



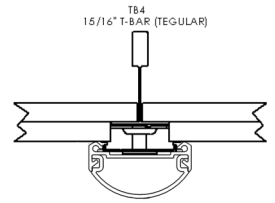
**TB2**  
(15/16" T-Bar Flush)



**TB3**  
(9/16" T-Bar Tegular)



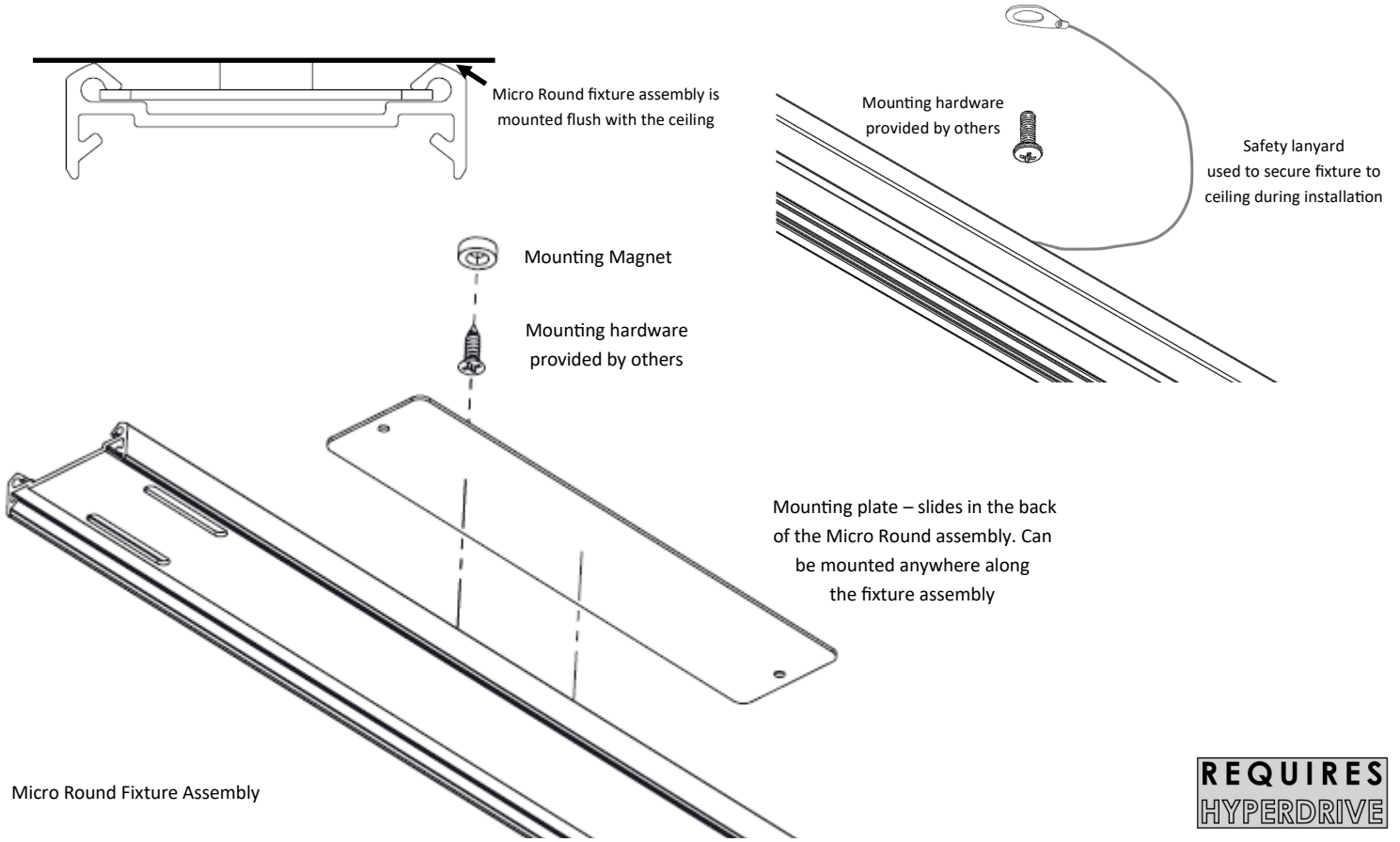
**TB4**  
(15/16" T-Bar Tegular)



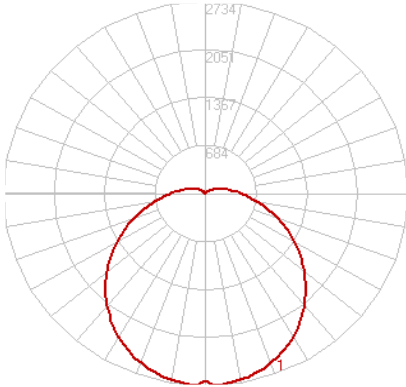
# MICRO ROUND

## MOUNTING OPTIONS

### SMM = Surface Mount Magnet



## PHOTOMETRICS



**Model Tested**  
MRND-8-1000-SD-35K-80

### Luminance Data (cd/sq.m)

Angle in Degrees	Avg. 0-Deg	Avg. 45-Deg	Avg. 90-Deg
45	23679	21045	21399
55	22146	19201	19602
65	20024	17180	17833
75	16745	15477	16254
85	11913	14905	15730

### Candela Table

Vert. Angle	Horizontal Angle				
	0	22.5	45	67.5	90
0	2666	2666	2666	2666	2666
5	2645	2627	2644	2674	2726
10	2609	2589	2610	2642	2695
15	2545	2524	2552	2589	2641
20	2452	2432	2472	2514	2566
25	2326	2311	2368	2418	2471
30	2178	2168	2240	2302	2359
35	2010	2007	2093	2165	2225
40	1824	1831	1931	2012	2075
45	1627	1646	1757	1853	1914
50	1443	1464	1577	1683	1742
55	1237	1266	1401	1513	1565
60	1030	1065	1216	1341	1389
65	827	869	1035	1161	1210
70	619	683	862	991	1035
75	427	516	707	834	874
80	252	368	566	688	729
85	106	245	443	562	599
90	13	155	342	455	487

### Power<sup>1</sup>

Direct LPF	Total Lumens	SD Satin Diffuse	
		LPW	W/ft.
350	2800	156	2
500	4259	156	3
750	6388	156	5
1000	8518	156	7

<sup>1</sup>Based on 8' lengths at 35K CCT and 80 CRI modules. All wattage values are rounded up. Delivered lumens may vary +/- 5%. Actual wattage may vary +/- 5%.

### Wattage Multiplier

	CCT	4' Length	8' Length
80 CRI	30K	1.11	1.05
	35K	1.05	1
	40K	1.03	0.98
	50K	1.02	0.97
90 CRI	30K	1.17	1.11
	35K	1.11	1.05
	40K	1.08	1.03
	50K	1.07	1.02

### Multiplier How-To

#### To determine CRI/CCT configuration wattage:

Choose wattage from Power matrix for desired optic and lumen output for 8' fixture length.

**Wattage x Multiplier = New Configuration Wattage**

# MICRO ROUND

## FINISHES

### STANDARD FINISHES



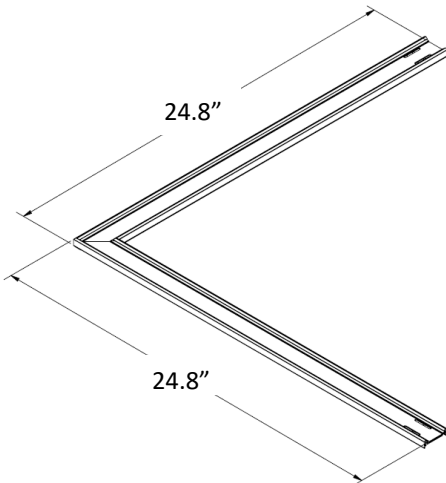
SATIN WHITE



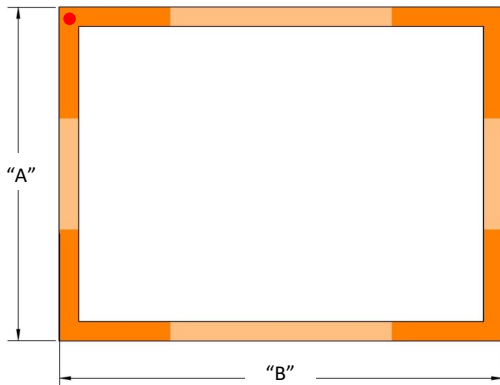
SATIN BLACK

## JOINT SHAPE CONFIGURATION WITH MITER CUTS

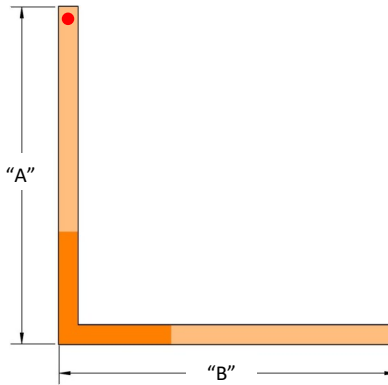
We provide joint configurations in the stock size of 24.8" X 24.8" as shown below.



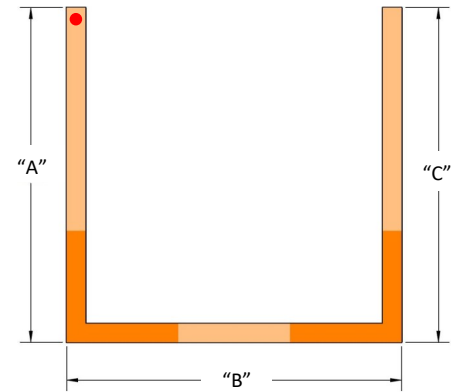
x_RECT
Rectangle
Supply AxB dimensions



_x_L
L-Shape
Supply AxB dimensions



x_x_U
U-Shape
Supply AxBxC dimensions



● = Power Location

# MICRO ROUND

## SPECIFICATIONS

### Housing

Nominal 1.62" x .89" square housing of continuous extruded 6063 T5 aluminum.

### Color

Colors for the housing are available in a powder coated white, black, silver, and woodgrain with end cap to match. Consult factory for custom colors.

### Luminaire Length

2', 4', 6' or 8' lengths are available for a single stand-alone section.

### End Caps

Machined Aluminum flat end caps are mechanically attached with no exposed fasteners to enhance architectural aesthetic and prevent light leak.

### Source

Lumen packages are available in four color temperature options (3000K, 3500K, 4000K and 5000K) — all within 3 MacAdam ellipses.

### Certification

RoHS (Restriction of Hazardous Substances) and Buy American Act compliant.

### Battery

Lithium battery providing up to 780lm(6W) or up to 1300lm(10W) for 90 minutes. UL924 listed. Class 2 compliant. Meets Title 20 CEC (California Energy Commission) efficiency standards. Requires Hyperdrive medium or large as well as Test/ Status switch is located on "HyperDrive"

### Environment

Suitable for dry and damp locations.

Operating temp.: -40°C to +50°C  
-40°F to +122°F

### Dimming Driver

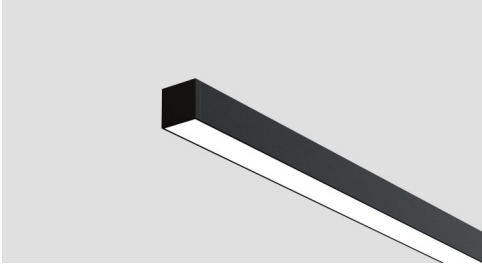
UL listed, class P (0-10V) dimming driver with programmable current for configurable fixture lumen outputs.  
2.5 KV overcurrent protection  
Power factor >.9

### Packaging

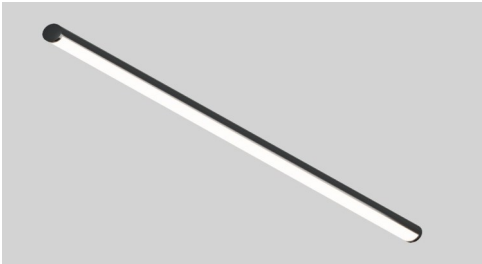
Sustainably manufactured outside cardboard box and biodegradable, protective poly-foam luminaire inserts.

## COMPANION PRODUCTS

### Micro Beam



### Micro Optimo



## WARRANTY

5-year limited warranty. Complete warranty terms can be located at:

[http://www.starteklightingamerica.com/images/pdf/warranty/Beam\\_Series\\_Warranty.pdf](http://www.starteklightingamerica.com/images/pdf/warranty/Beam_Series_Warranty.pdf)

Note: Actual performance may differ as a result of installation environment and final application.  
All values are design or typical values, measured under laboratory conditions, at 25°C (77°F) .