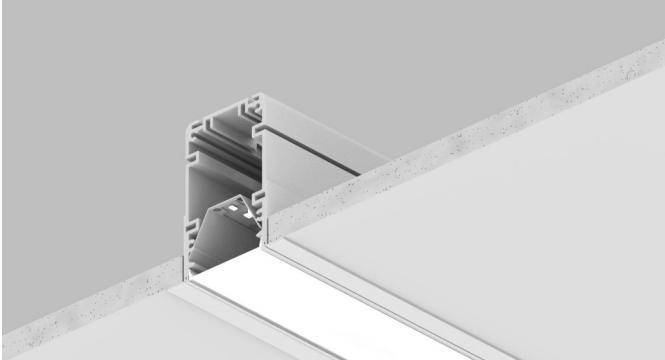
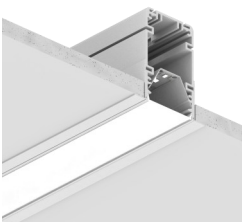


Type:	
Project:	
REP/Agent:	
Order #:	

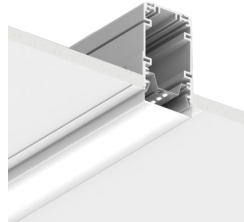
RECESSED SLIM BEAM



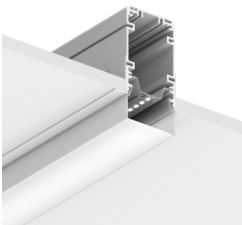
DIFFUSING



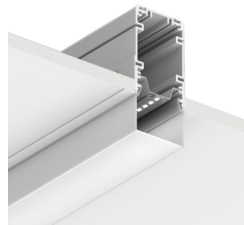
FLUSH, H: 3.5"



DL05, H: 4.0"

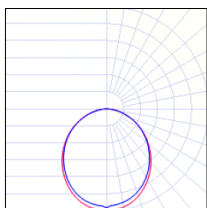


DL10, H: 4.5"

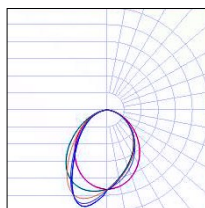


DL15, H: 5.0"

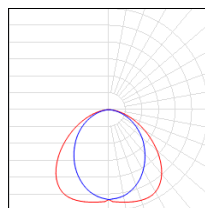
DISTRIBUTION



SD= SatinIce Diffuse



WW= Wall Wash

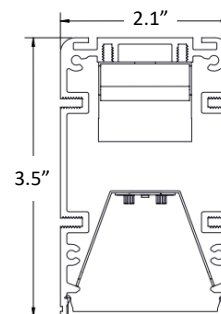


WD= Wide Diffuse

FEATURES

- ★ Continuous lensing - runs up to 100'
- ★ Standard 2', 4', 6' and 8' units or continuous rows
- ★ Fixture/run length increments down to 1/16"
- ★ Single piece aluminum extrusion housing
- ★ Linear runs with proprietary joiner design
- ★ Snap-in lens and reflector for easy installation
- ★ 3 Step MacAdam ellipse binning
- ★ Efficacy up to 116 lm/W
- ★ Soft diffuse direct lighting
- ★ Approved for dry and damp locations
- ★ 0-10v dimming is standard
- ★ Dim to 1% of output current is standard
- ★ 90 CRI (R9 50min) available
- ★ CA Title 24 / JA8 installation compatible
- ★ Consult factory for TM21, TM30, LM79 and LM80
- ★ IC Rated
- ★ Chicago Plenum available
- ★ L70 > 50,000 hours
- ★ Field Fit available for wall-to-wall applications

DIMENSIONS



Type:	
Project:	
REP/Agent:	
Order #:	

RECESSED SLIM BEAM

RSLIM					
SERIES	LENGTH	LUMENS PER FOOT	DISTRIBUTION	CCT	CRI
RSLIM	XX = Run Length _x_RECT = Rectangle _x_L = L-Shape	350 = 350 LPF 500 = 500 LPF 750 = 750 LPF 1000 = 1000 LPF XXX = Custom LPF	SD = Safinice Diffuse WD = Wide Diffuse WW = Wall Wash GRZ = Wall Graze DLE05 = 0.5" Drop Lens w/ Lit Ends DLE10 = 1.0" Drop Lens w/ Lit Ends DLE15 = 1.5" Drop Lens w/ Lit Ends	30K = 3000K 35K = 3500K 40K = 4000K 50K = 5000K TW = Tunable White ¹ (2700-6500K)	80 = 80 90 = 90 (R9 50 min)

Seamless Continuous Lensing Unavailable for Drop Lens Options. See pg.7 for Premium drop lens options

FINISH	MOUNTING	VOLTAGE	ELECTRICAL
STANDARD PW = Powder Coat White PB = Powder Coat Black	T-GRID TBX = 9/16" Grid 15/16" Grid 9/16" Screw Slotted T-Grid	U = 120-277 C = 347	1C = Single Circuit MC = Multiple Circuits (multiple switch legs across run length) EC = Emergency Circuit (separate power drops for EC fixtures) GTD = Generator Transfer Device
PREMIUM RALxxxx = Powder Coat RAL xxxx (Gloss Finish)	TEG15 = 15/16" Grid (Tegular Tile) TEG9 = 9/16" Grid (Tegular Tile) PT = Prelude T-Grid TBO = T-BAR Other (Specify Type of T-BAR)		
CUSTOM PO = Powder Other	COSMETIC BEZEL CB = Cosmetic Bezel (Screw/ Rod Mount) CBY = Cosmetic Bezel (Yoke Mount) *NOTE: Bezel color will match fixture color unless otherwise specified, consult factory for options. SPACKLE FLANGE SF = Spackle Flange (Screw/ Rod Mount) SFY = Spackle Flange (Yoke Mount) TRIMLESS TR = Trimless (Screw/ Rod Mount)		

--

OPTIONS

<p>SPECIALTY DRIVERS (Standard driver is 0-10V, dim to 1% output current)</p> <p>DT1= eldoLED EcoDrive Dim to 1% (0-10V) DTZ= eldoLED SoloDrive Dim to 0.1% (0-10V) PSRD= Philips Sensor Ready (DALI) Driver LDE1= Lutron Hi-Lume EcoSystem LED driver w/ Soft-on, Fade-to-Black TW-A= Tunable White, 0-10v² TW-EL= eldoLED DUALdrive Tunable White (DALI)² LD2= Lutron DALI 2 Digital Tunable White driver with 1% dimming² HD-xx = HyperDrive Circuit Remote Driver (Consult Factory)</p> <p>BATTERIES ("#" indicates quantity) #EMB6= 6W EM Battery (Iota/Bodine) #EMB10= 10W EM Battery (Iota/Bodine) #FCEMB10= 10W EM Battery ³ (Factory Choice) #FCEMB14= 14W EM Battery ³ (Factory Choice)</p>	<p>SENSORS</p> <p>DMxx%= Daylight/Motion Sensor (xx%= % Min. Dimming) AWN-R-W= Lutron Athena Wireless Node (RF only)⁴ - White Finish AWN-R-B= Lutron Athena Wireless Node (RF only)⁴ - Black Finish AWN-S-W= Lutron Athena Wireless Node with Sensor - White Finish AWN-S-B= Lutron Athena Wireless Node with Sensor - Black Finish NLA= Acuity nLight Air WVL= Cooper Wavelinx</p> <p>OTHER</p> <p>CP= Chicago Plenum (CCEA) CFW= Conduit Flex Whip OTD= Outdoor FF3= +/- 3" Field Fit FF6= +/- 6" Field Fit</p>	<p>¹ Tunable White Driver must be specified in options ² 50 Watt Max. Dual driver required for higher fixture wattage ³ D4i driver for static & DALI-2 Type 8 for tunable.</p>
---	---	---

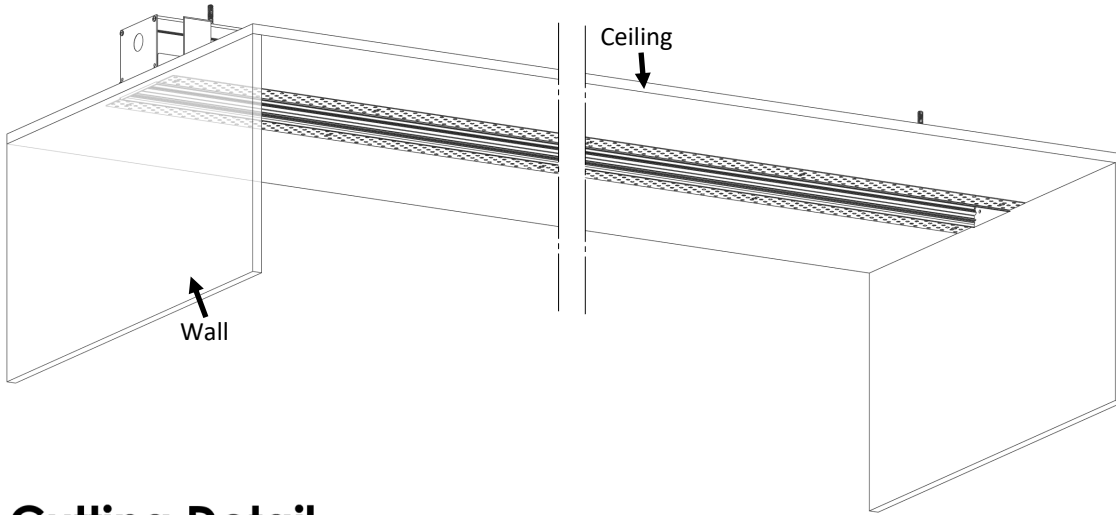
EXAMPLE: RSLIM-20-500-SD-35K-80-PW-TBX-U-1C-1EMB10

RECESSED SLIM BEAM

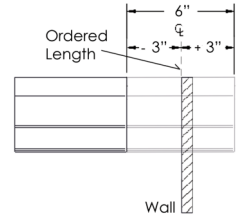
HOUSING OPTIONS

FF_ - Field Fit

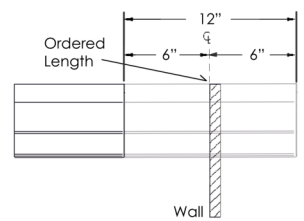
This option allows for flexibility in wall-to-wall recessed applications. When ordered, the total run length allows for $\pm 3.0"$ or $\pm 6.0"$. Housing must be cut in the field with a miter saw based on required dimensions.



FF3 = 3" Field Fit

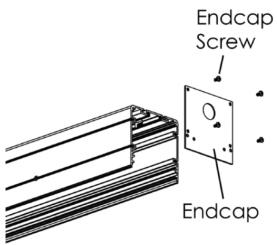


FF6 = 6 inch Field Fit

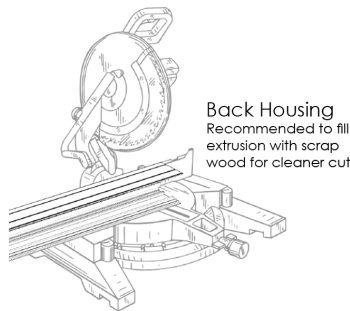


Cutting Detail

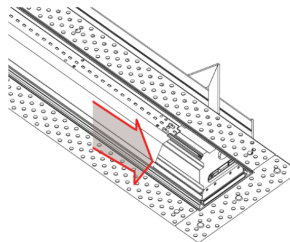
Step 1.
Remove the endcap before cutting the back extrusion.



Step 2.
Cut back extrusion. Cut all trim accordingly.



Step 3.
Reinstall endcap. Reinstall telescoping lighting assembly and slide to the end.

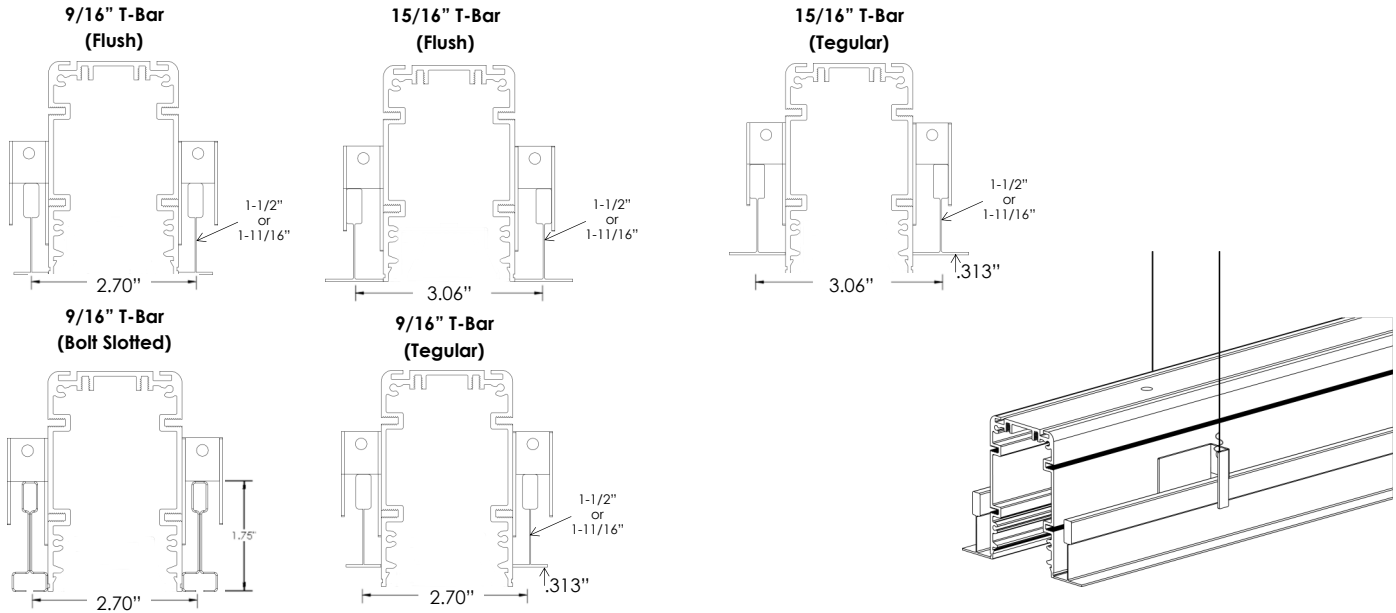


RECESSED SLIM BEAM

MOUNTING OPTIONS AND DIMENSIONS

T-BAR/T-GRID Options - TBX

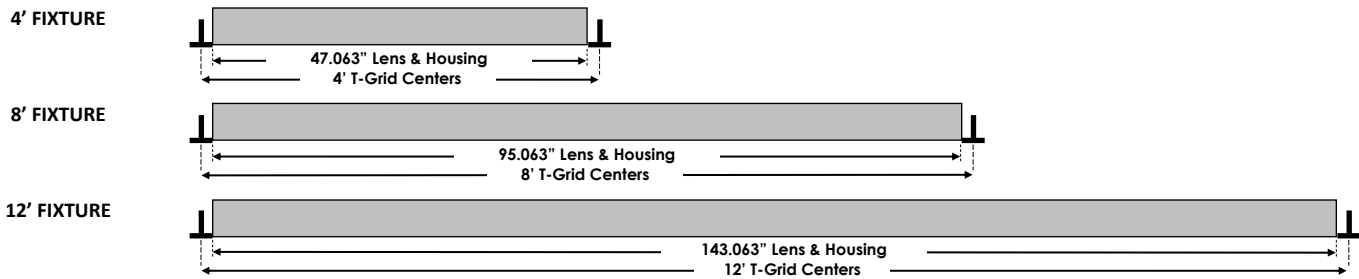
TEG15



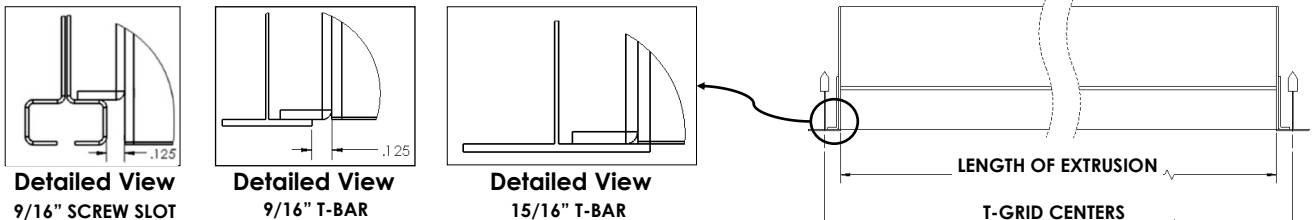
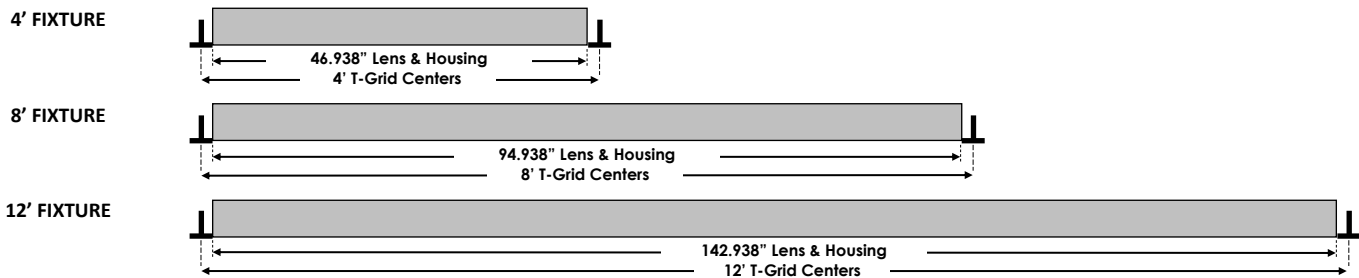
The lengths of individual fixtures and run lengths specified in the ordering logic is the distance between the centers of the T-Grids (See Page 4). The actual length of the fixtures and the lens will be shorter from that specified length. In a run, the last fixture compensates for the T-Grid. NOTE: The mounting option will affect total run length. If a different configuration is needed to meet an aesthetic requirement, please indicate this on your P.O. when placing your order.

Examples of the standard construction of TBX and TBA configurations are as follows:

TBX / TEG9



TEG15

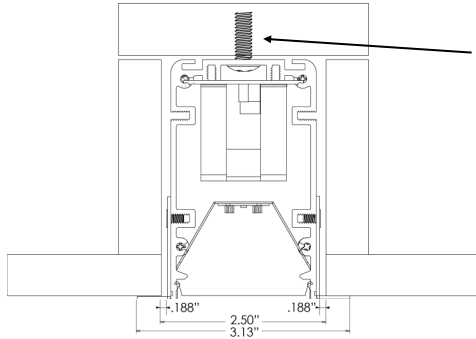


RECESSED SLIM BEAM

MOUNTING OPTIONS

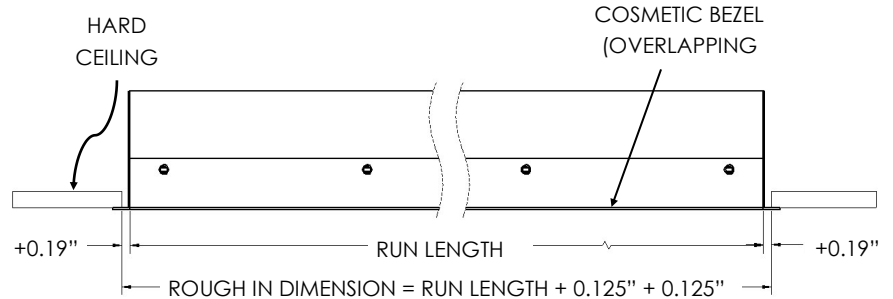
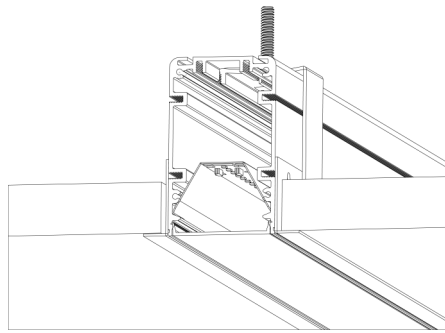
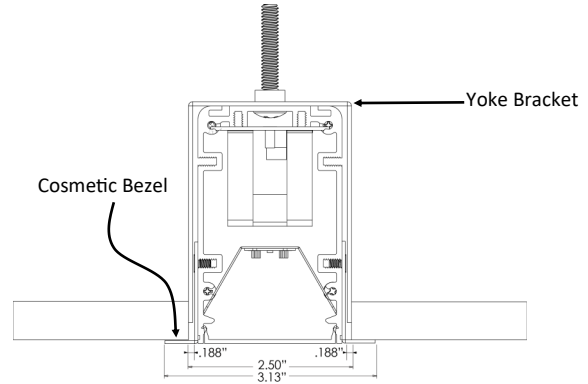
CB - Cosmetic Bezel

(CB)
SCREW/ROD MOUNT



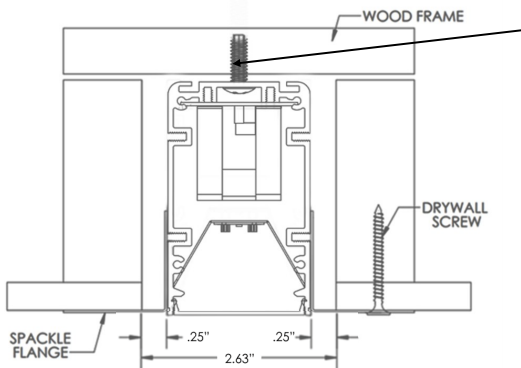
NOTE: Hole size at mounting locations is $\phi .266''$ for 1/4" Rod or Screw (provided by others)

(CBY)
YOKE MOUNT



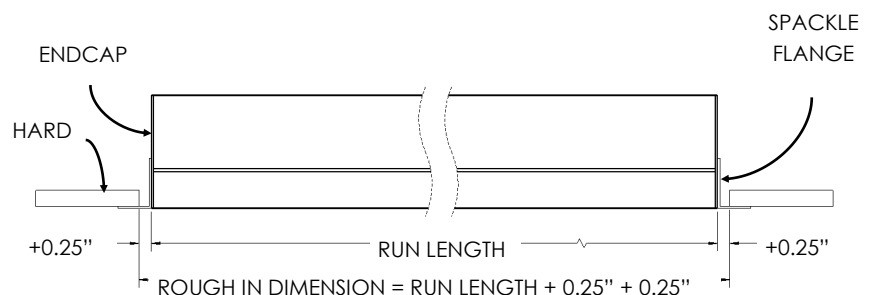
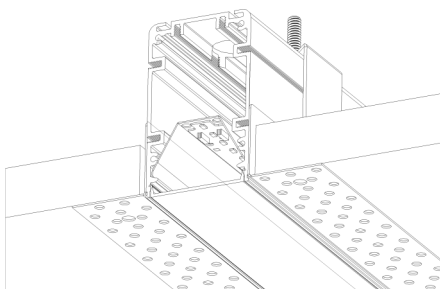
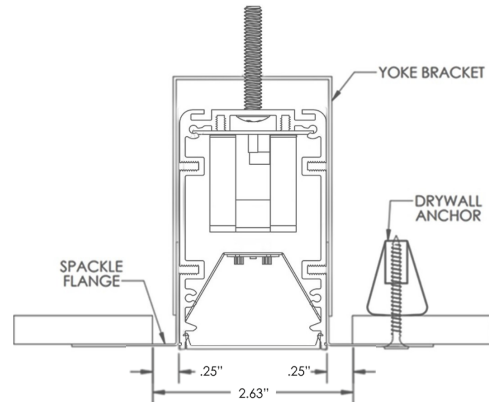
SF - Drywall W/Spackle Flange

(SF)
SCREW/ROD MOUNT



NOTE: Hole size at mounting locations is $\phi .266''$ for 1/4" Rod or Screw (provided by others)

(SFY)
YOKE MOUNT

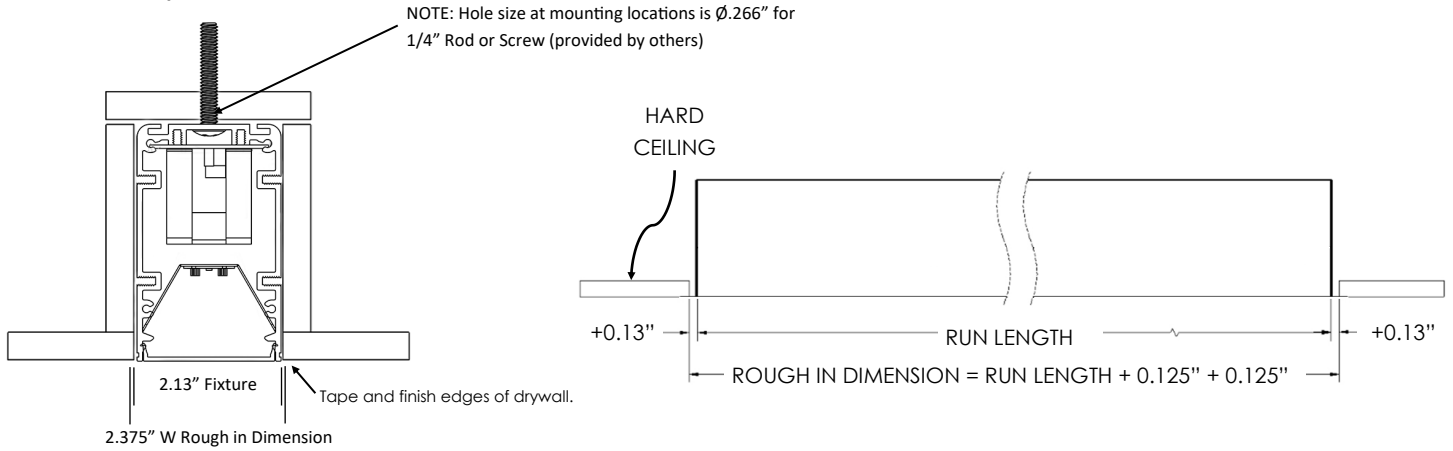


RECESSED SLIM BEAM

MOUNTING OPTIONS AND ROUGH-IN DIMENSIONS

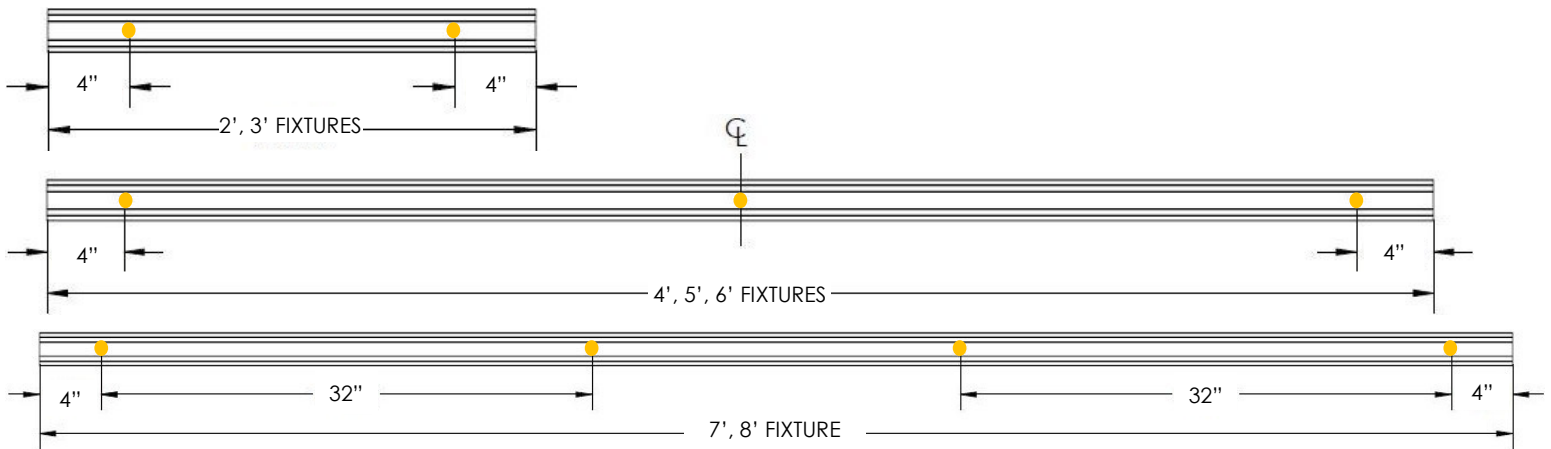
TR- Trimless

(TR) SCREW/ROD MOUNT



MOUNTING LOCATIONS: SF & SFY

Mounting locations (●) vary due to length. Views below show top of fixtures and their hole location. For hard ceilings, we offer two types of options. A threaded rod mount, or a screw mount. Please see below of mounting locations as these vary based on length of the fixture.



NOTE: Hole size at mounting locations is $\varnothing.266''$.

ROW CONFIGURATIONS

xx (Run Length)

The standard construction of run lengths follows the logic of the table below. Consult factory for additional information.

Run lengths always start with the longest fixture and receives the power feed.

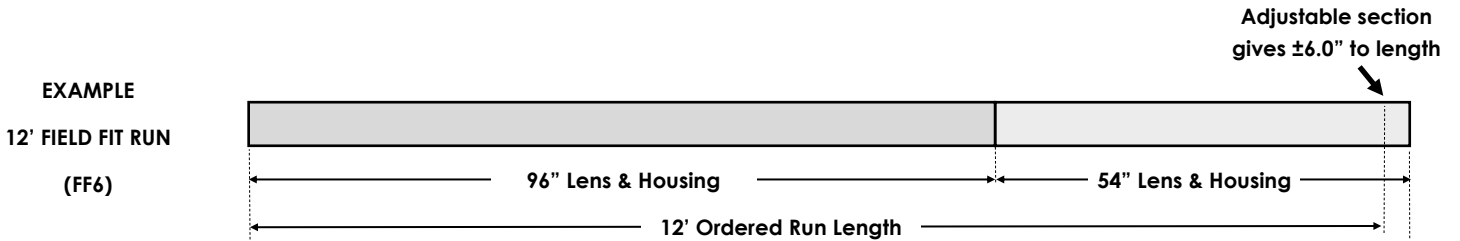
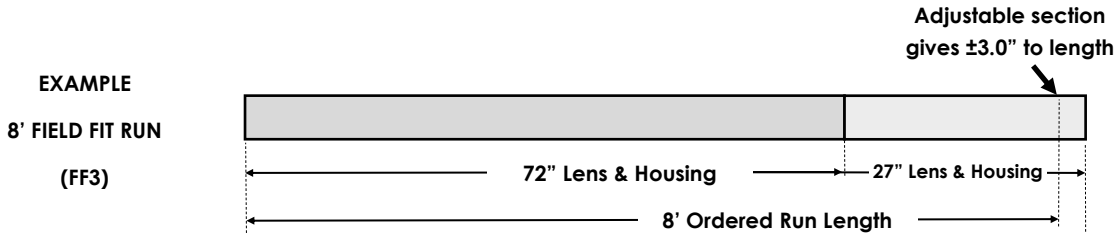
		Total Length																																											
		2	3	4	5	6	7	8	9	10	11	12	13	14	15	16	17	18	19	20	21	22	23	24	25	26	27	28	29	30	31	32	33	34	35	36	37	38	39	40					
# of Sections	2	1																																											
	3		1								1							1																											
	4			1					1	1		1					1	1		1					1	1		1					1	1		1									
	5				1				1				1					1							1				1					1					1						
	6					1				1				1				1							1				1					1					1						
	7						1								1											1															1				
	8							1								1											1															1			

NOTE: Fixtures in continuous runs are available in 6" increments. Consult factory for smaller increments.

RECESSED SLIM BEAM

FF_ - Field Fit

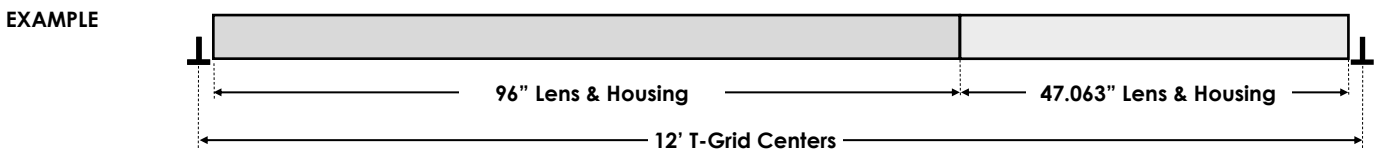
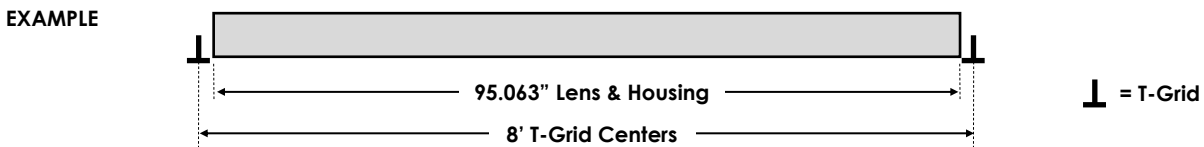
Field Fit total is 6" (+/- 3.0", or +/- 6.0"). The end fixture can be cut back to match onsite requirements.



Individual & Continuous Run—T-Grid

The lengths of individual fixtures and run lengths specified in the ordering logic is the distance between the centers of the T-Grids (See Page 4). The actual length of the fixtures and the lens will be shorter from that specified length. In a run, the last fixture compensates for the T-Grid. If a different configuration is needed to meet an aesthetic requirement, please indicate this on your P.O. when placing your order.

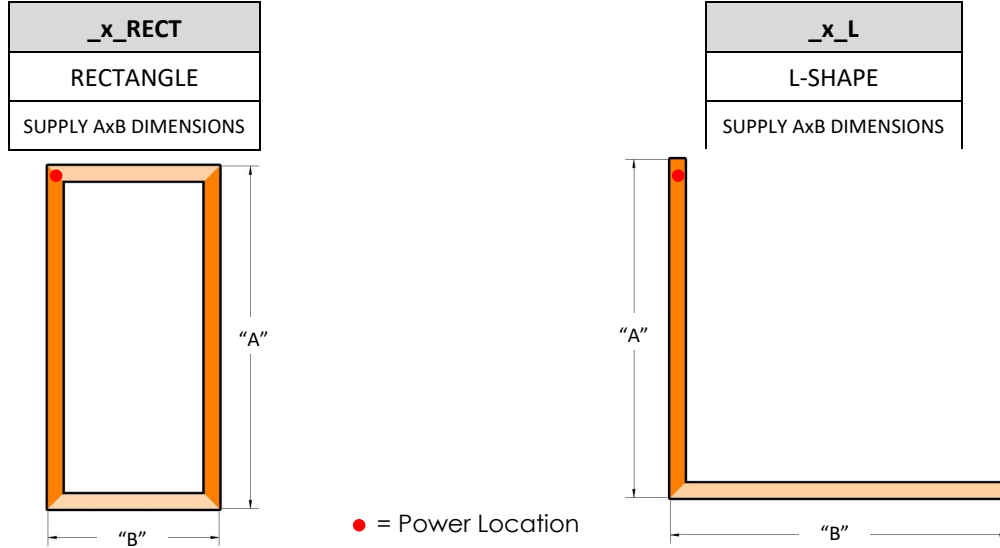
Examples of the standard construction of T-Grid configurations are as follows:



RECESSED SLIM BEAM

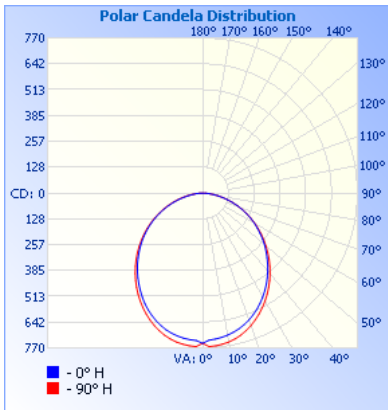
SHAPE CONFIGURATION WITH MITER CUTS

Specify the configuration and overall dimensions. Note the overall dimension is for the fixture and does not include any mounting brackets or accessories. For the "L" shape, the standard construction is to build with as many 8' sections as possible or use the longest sections first and finish the shapes with a shorter length fixture if necessary.



PERFORMANCE

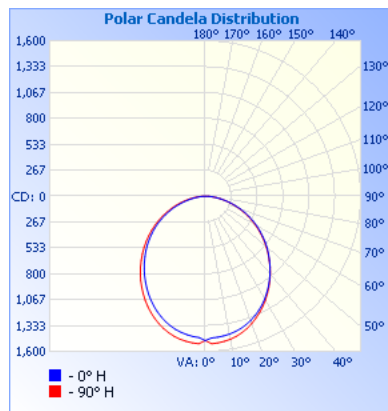
RSLIM-X-500-SD (80+ CRI)



Model	Lumens	Watts	LPW
RSLIM-4-500-SD-30K	2,000	20	101
RSLIM-4-500-SD-35K	2,000	19	104
RSLIM-4-500-SD-40K	2,000	19	107
RSLIM-4-500-SD-50K	2,000	18	112

Model	Lumens	Watts	LPW
RSLIM-8-500-SD-30K	4,000	38	105
RSLIM-8-500-SD-35K	4,000	37	108
RSLIM-8-500-SD-40K	4,000	36	111
RSLIM-8-500-SD-50K	4,000	34	116

RSLIM-X-1000-SD (80+ CRI)



Model	Lumens	Watts	LPW
RSLIM-4-1000-SD-30K	4,000	40	100
RSLIM-4-1000-SD-35K	4,000	39	103
RSLIM-4-1000-SD-40K	4,000	38	106
RSLIM-4-1000-SD-50K	4,000	36	111

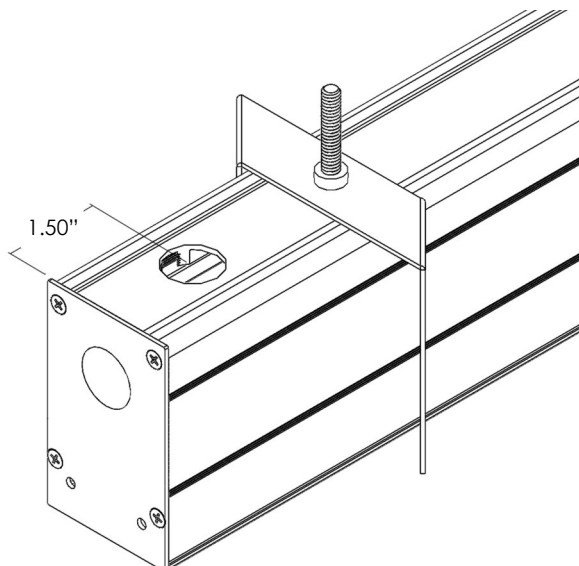
Model	Lumens	Watts	LPW
RSLIM-8-1000-SD-30K	8,000	77	104
RSLIM-8-1000-SD-35K	8,000	75	107
RSLIM-8-1000-SD-40K	8,000	73	110
RSLIM-8-1000-SD-50K	8,000	70	115

RECESSED SLIM BEAM

POWER LOCATION & WIRING DIAGRAMS

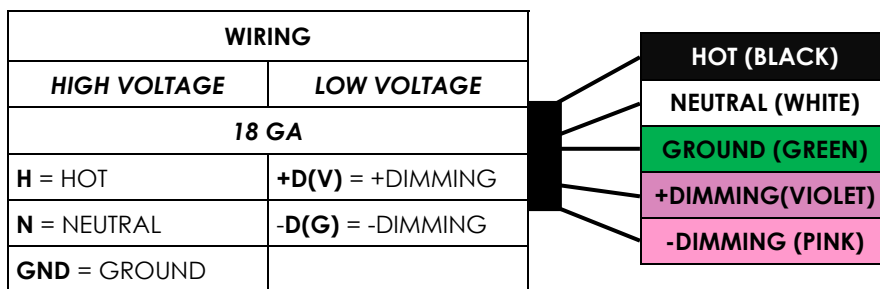
POWER LOCATION

The standard power location is out the end cap on the fixture. If a different configuration is needed to meet an aesthetic or placement requirement, please consult the factory.

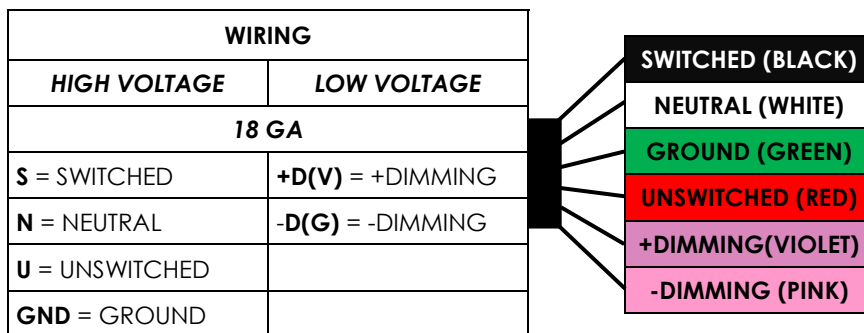


WIRING DIAGRAMS

Wiring configurations are dependent on the options chosen. Below are a few examples of our standard wiring that is used to power the fixture.



This wiring diagram is showing a standard set of wires for a basic fixture.



This wiring diagram is showing a set of wires for a fixture with a emergency battery.

RECESSED SLIM BEAM

SPECIFICATIONS

Housing

Nominal 2.0" x 3.5" x .075 thick housing of continuous extruded 6063 T5 aluminum.

Luminaire Length

2', 4', 6' or 8' lengths are available for a single stand-alone section. Using internal joiners, sections can be joined to form longer rows.

Battery

Lithium ion battery providing up to 720lm(6W) or up to 1200lm(10W) for 90 minutes. UL924 listed. Class 2 compliant. Meets Title 20 CEC (California Energy Commission) efficiency standards.

Lensing

Snap-in .080" thick acrylic lensing with impact modifier

Source

Lumen packages are available in four color temperature options (3000K, 3500K, 4000K and 5000K) — all within 3 MacAdam ellipses.

Certification

Intertek cETLus Listed. RoHS (Restriction of Hazardous Substances) and Buy American Act compliant.

Environment

Suitable for dry and damp locations.

Operating temp.: -40°C to +45°C

Dimming Driver

eldoLED OPTOTRONIC (OTi) series of LED drivers allow tunable output currents to maximize efficiency. UL Class 2 recognized. 0-10v interface can be dimmed down to true 1% dimming. Included 2.5Kw ring and wave overcurrent protection. OTi drivers boast <20% THD, >.9 power factor and 87% efficiency at max load.

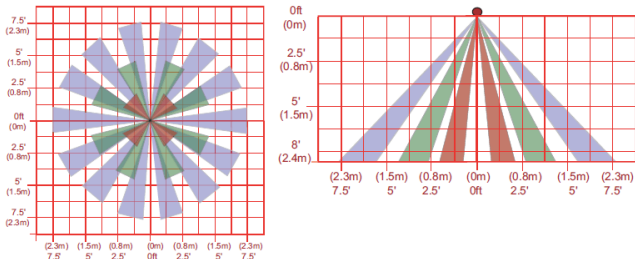
Packaging

Sustainably manufactured outside cardboard box and biodegradable, protective poly-foam luminaire inserts.

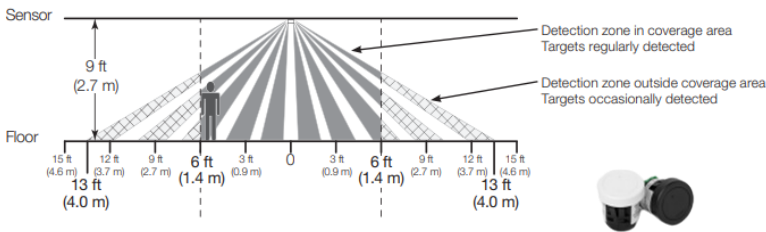
CONTROL

Sensor

Wattstopper FS-205 v2 Low Voltage PIR. Integrated photosensor for hold-off daylighting control. 24VDC operating voltage. Adjustable time delay (30 seconds to 30 minutes).



Wireless Node



WARRANTY

5-year limited warranty. Complete warranty terms can be located at:

http://www.starteklightingamerica.com/images/pdf/warranty/Beam_Series_Warranty.pdf

Note: Actual performance may differ as a result of installation environment and final application.

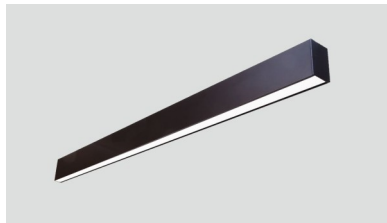
All values are design or typical values, measured under laboratory conditions, at 25°C (77°F) .

COMPANION PRODUCTS

Slim Beam Direct



Slim Beam Direct/Indirect



Slim Beam Surface Mount

