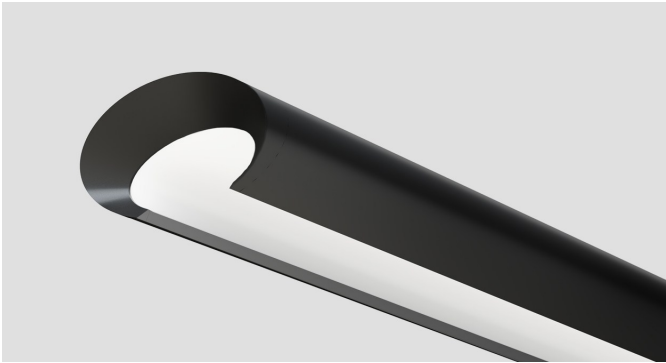
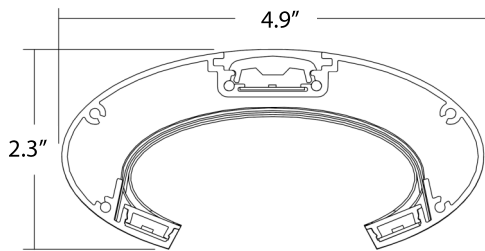


Type:	
Project:	
REP/Agent:	
Order #:	

# AERO DIRECT/INDIRECT



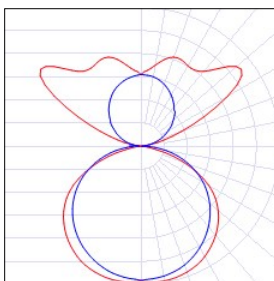
## DIMENSIONS



## FEATURES

- ★ Soft diffused direct illumination in a sleek modern minimalist style.
- ★ Thermally efficient extruded aluminum single piece housing
- ★ Standard 2', 4', 6' and 8' units, or continuous rows
- ★ Toolless height adjustment at the ceiling
- ★ Textured powder coat finishes available in white, black, and silver
- ★ Premium finishes also available
- ★ Approved for dry and damp locations
- ★ 0-10v dimming is standard
- ★ Dim to 1% of output current is standard
- ★ Class 2 output for luminaire
- ★ 120-277V for power enclosure

## DISTRIBUTION



Indirect: BW= Batwing  
Direct: IDGL= Indirect Glow

## LUMEN PACKAGES

Based on 3500K CCT. Other CCT available.

MODEL	LUMENS	WATTS	Lm/W
AERODI-4-650-500-IDGL-BW-35K-80	4600	51	90
AERODI-8-650-500-IDGL-BW-35K-80	9200	98	94



Type:	
Project:	
REP/Agent:	
Order #:	

# AERO DIRECT/INDIRECT

AERODI					
SERIES	LENGTH	DIRECT LUMENS PER FOOT	INDIRECT LUMENS PER FOOT	DIRECT DISTRIBUTION	INDIRECT DISTRIBUTION
<b>AERODI</b>	<b>4=</b> 4FT	<b>350=</b> 350 LPF	<b>350=</b> 350 LPF	<b>IDGL=</b> Indirect Glow	<b>CL=</b> Clear Lens <b>BW=</b> Batwing
	<b>8=</b> 8FT	<b>500=</b> 500 LPF	<b>500=</b> 500 LPF		
	<b>xx=</b> Custom length	<b>750=</b> 750 LPF	<b>750=</b> 750 LPF		
	<b>Sxx=</b> Symmetric Run Length	<b>1000=</b> 1000 LPF	<b>1000=</b> 1000 LPF		
		<b>XXX=</b> Custom LPF	<b>XXX=</b> Custom LPF		

CCT	CRI	FINISH	MOUNTING	ELECTRICAL
<b>27K=</b> 2700K	<b>80=</b> 80	<b>STANDARD</b>	<b>POWERED CANOPY</b> (Driver included, 120-277V)	<b>1C=</b> Single Circuit <b>2C=</b> Separate D/I Circuits <i>(separate control of direct and indirect)</i>
<b>30K=</b> 3000K	<b>90=</b> 90 <i>(R9 50 min)</i>	<b>PW=</b> Powder Coat White	<b>PCW=</b> Powered Canopy White	
<b>35K=</b> 3500K		<b>PB=</b> Powder Coat Black	<b>PCB=</b> Powered Canopy Black	
<b>40K=</b> 4000K		<b>PS=</b> Powder Coat Silver		
<b>50K=</b> 5000K		<b>PREMIUM</b>	<b>CANOPY RECESSED</b>	
		<b>PSFx=</b> Premium Stock Finish	<b>CRW=</b> Canopy Recessed White	
		<b>RALxxxx=</b> Powder Coat RALxxxx	<b>CRB=</b> Canopy Recessed Black	
		<b>CUSTOM</b>	<b>CANOPY T-GRID</b>	
		<b>PO=</b> Powder Coat Other*	<b>CTW=</b> Canopy T-Grid White	
		See pg. 8 for standard and premium options.	<b>CTB=</b> Canopy T-Grid Black	
			<b>CANOPY SURFACE</b>	
			<b>CSW=</b> Canopy Surface White	
			<b>CSB=</b> Canopy Surface Black	
			<b>STEM MOUNTS</b>	
			<b>STEMWxx=</b> Stem Mount White xx"	
			<b>STEMBxx=</b> Stem Mount Black xx"	
			<b>*Items in grey box require Hyperdrive Remote Driver*</b>	

REMOTE OPTIONS	HYPERDRIVE CIRCUIT
<b>Ex=</b> EM Battery designated fixture (Ordered with Hyperdrive) Replace X with battery Qty. Not available with Powered Canopy, Consult factory	<b>HDxx=</b> HyperDrive Circuit Not required for the Powered Canopy configuration

**EXAMPLE: AERODI-4-750-750-IDGL-CL-35K-80-PB-PCW-1C-HD01**

Type:	
Project:	
REP/Agent:	
Order #:	

# HYPER DRIVE REMOTE POWER SYSTEM

HYPD				
SERIES	SIZE / DRIVER QTY	EMERGENCY BATTERY (OPTIONAL)	MOUNTING	FINISH
HYPD	<p>Replace <b>x</b> with driver quantity</p> <p><b>Sx</b>= Small– up to two drivers (190W)</p> <p><b>Mx</b>= Medium– up to four drivers (300W)</p> <p><b>Lx</b>= Large– up to eight drivers (600W)</p>	<p>Replace <b>#</b> with battery quantity</p> <p><b>NB</b>= No Emergency Battery</p> <p><b>#EMB6</b>= 6W EM Battery (IOTA/Bodine)</p> <p><b>#EMB10</b>= 10W EM Battery (IOTA/Bodine)</p> <p><b>#FCEMB10</b>= 10W EM Battery (Factory Choice)</p> <p><b>Note: Each emergency battery reduces the driver quantity of the Hyper Drive.</b></p>	<p><b>S</b>= Surface/ Strut</p> <p><b>R</b>= Recessed</p>	<p><b>STANDARD</b></p> <p><b>PW</b>= Powder Coat White</p> <p><b>PB</b>= Powder Coat Black</p> <p><b>PREMIUM</b></p> <p><b>RALxxxx</b>= Power Coat</p> <p>RAL xxxx (Gloss Finish)</p>

VOLTAGE	OPTIONS	HYPERDRIVE CIRCUIT
U= 120-277	<p><b>SPECIALTY DRIVERS</b> (Standard driver is 0-10V, dim to 1% output current)</p> <p><b>DT1</b>= eldoLED EcoDrive Dim to 1% (0-10V)</p> <p><b>DTZ</b>= eldoLED SoloDrive Dim to 0.1% (0-10V)</p> <p><b>PSRD</b>= Signify Sensor Ready (DALI) Driver</p> <p><b>LDE1</b>= Lutron Hi-Lume EcoSystem LED driver w/ Soft-on, Fade-to-Black</p> <p><b>TW-A</b>= Tunable White, 0-10v</p> <p><b>TW-EL</b>= eldoLED DUALdrive Tunable White (DALI)</p> <p>Consult factory for additional driver options</p> <p><i>Note: Specialty driver options are not available with the small power-box option, with the exception of TW-A</i></p> <p><b>SENSORS</b></p> <p>Consult factory for options</p> <p><b>OTHERS</b></p> <p><b>CP</b>= Chicago Plenum (CCEA)</p>	<p><b>HDxx</b>= HyperDrive Circuit</p>

**EXAMPLE: HYPD-L8-NB-R-PW-DTZ-HD01**

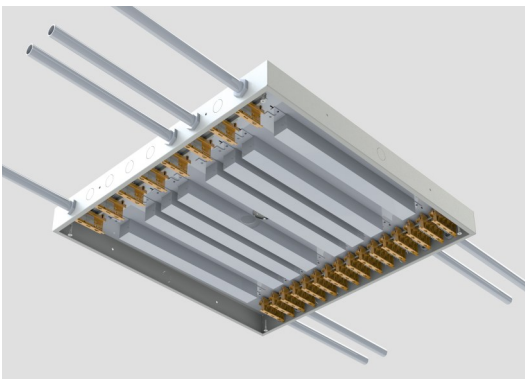
## NOTES & LIMITATIONS

One driver is required per direct only fixture (8' max length)

Consult factory for custom configurations and drivers not listed.

### L8 configuration shown (shown with front cover removed)

Each driver is provided with a terminal block on both input and output side for ease of wiring and installation.



## How to use this guide

Fill out the worksheet to specify your requirements for your configurations. Be sure to callout battery and sensor locations.

Refer to the run chart for standard run configurations on linear lengths, consult factory for custom configurations.

Use the order guide to create your BOM for your configuration.

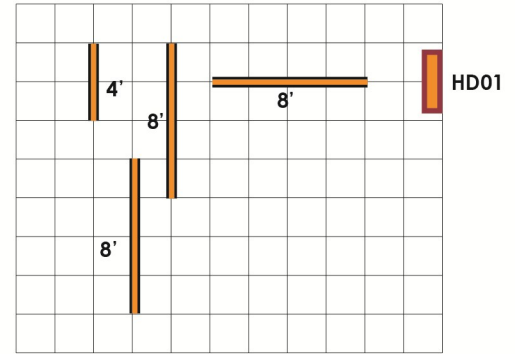
Submit the worksheet along with your order.

## #1 Example Bill of Materials

Qty. Type

3	AERODI-8-750-750-IDGL-CL-35K-80-PB-CRW-1C-HD01	
1	AERODI-4-750-750-IDGL-CL-35K-80-PB-CRW-1C-HD01	
1	HYPD-L8-NB-R-PW-U-DTZ-HD01	

## #1 Example Configuration



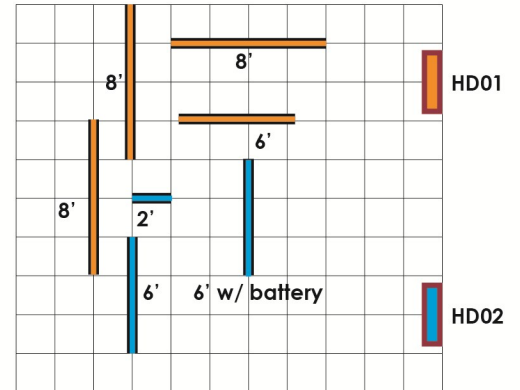
Note: Low Voltage Power transfer wire between fixture and HyperDrive remote power system provided by others.

## #2 Example Bill of Materials

Qty. Type

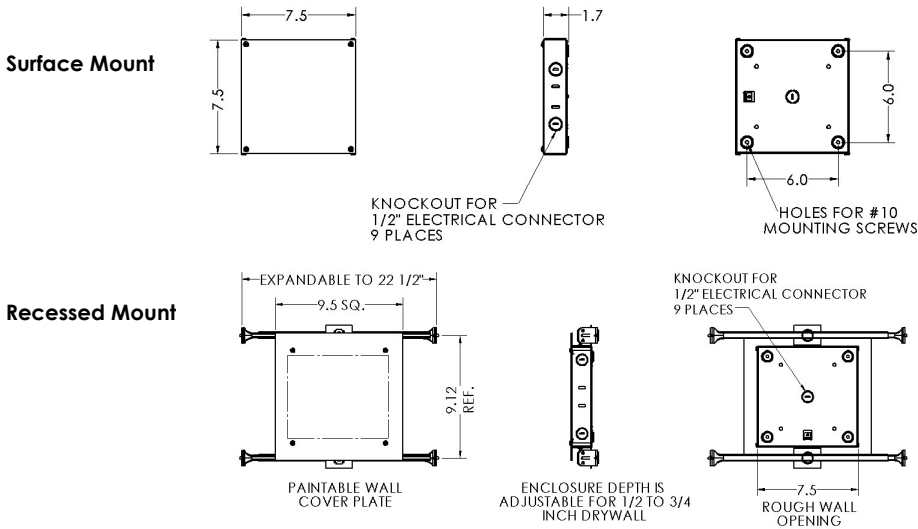
3	AERODI-8-750-750-IDGL-CL-35K-80-PW-CSW-1C-HD01	
1	AERODI-6-750-750-IDGL-CL-35K-80-PW-CSW-1C-HD01	
1	AERODI-2-750-750-IDGL-CL-35K-80-PW-CSW-1C-HD02	
1	AERODI-6-750-750-IDGL-CL-35K-80-PW-CSW-1C-E1-HD02	
1	AERODI-6-750-750-IDGL-CL-35K-80-PW-CSW-1C-HD02	
1	HYPD-L8-NB-R-PW-DTZ-HD01	
1	HYPD-L6-1EMB6-R-PW-DTZ-HD02	

## #2 Example Configuration



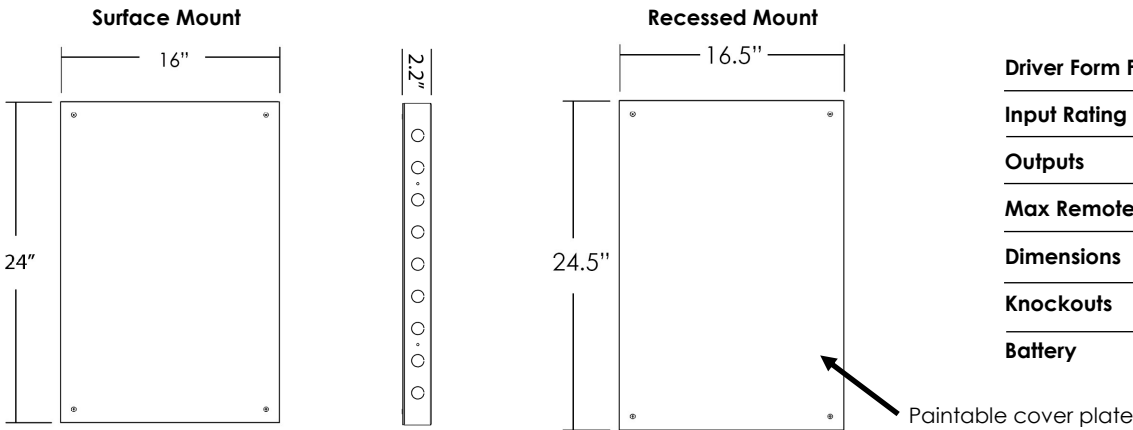
Note: Low Voltage Power transfer wire between fixture and HyperDrive remote power system provided by others.

## Sx (Small Hyper Drive Remote Canopy)



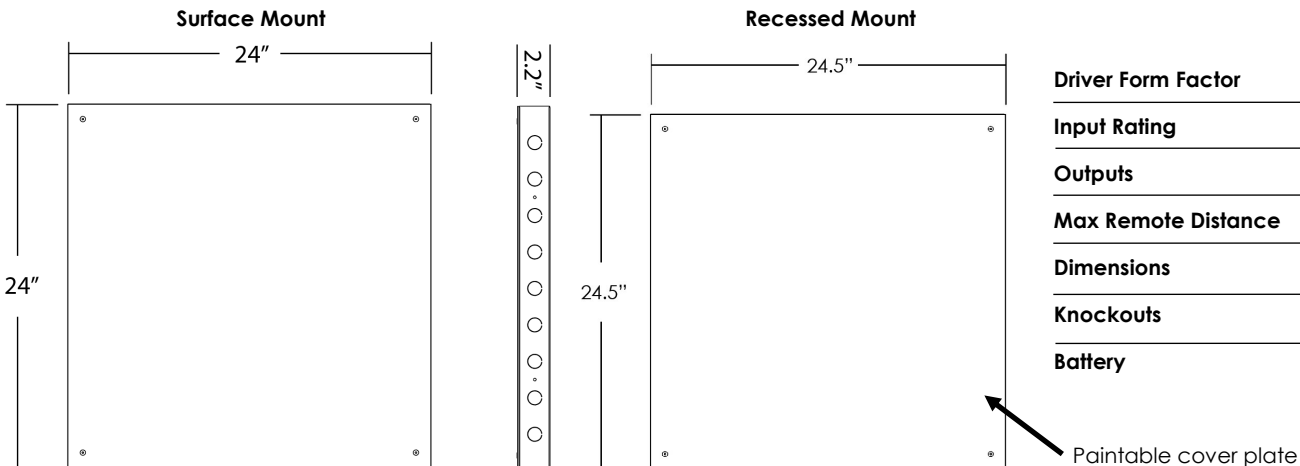
<b>Driver Form Factor</b>	Compact
<b>Input Rating</b>	120-277V
<b>Outputs</b>	Up to 2 (190W max)
<b>Max Remote Distance</b>	Up to 100' (30.5m)
<b>Dimensions</b>	7.5" x 7.5"
<b>Knockouts</b>	(9) 1/2"
<b>Battery</b>	Not Available

## Mx (Medium Hyper Drive Remote Canopy)



<b>Driver Form Factor</b>	Linear
<b>Input Rating</b>	120-277V
<b>Outputs</b>	Up to 4 (300W max)
<b>Max Remote Distance</b>	Up to 100' (30.5m)
<b>Dimensions</b>	16" x 24"
<b>Knockouts</b>	(20) 1/2"
<b>Battery</b>	Available

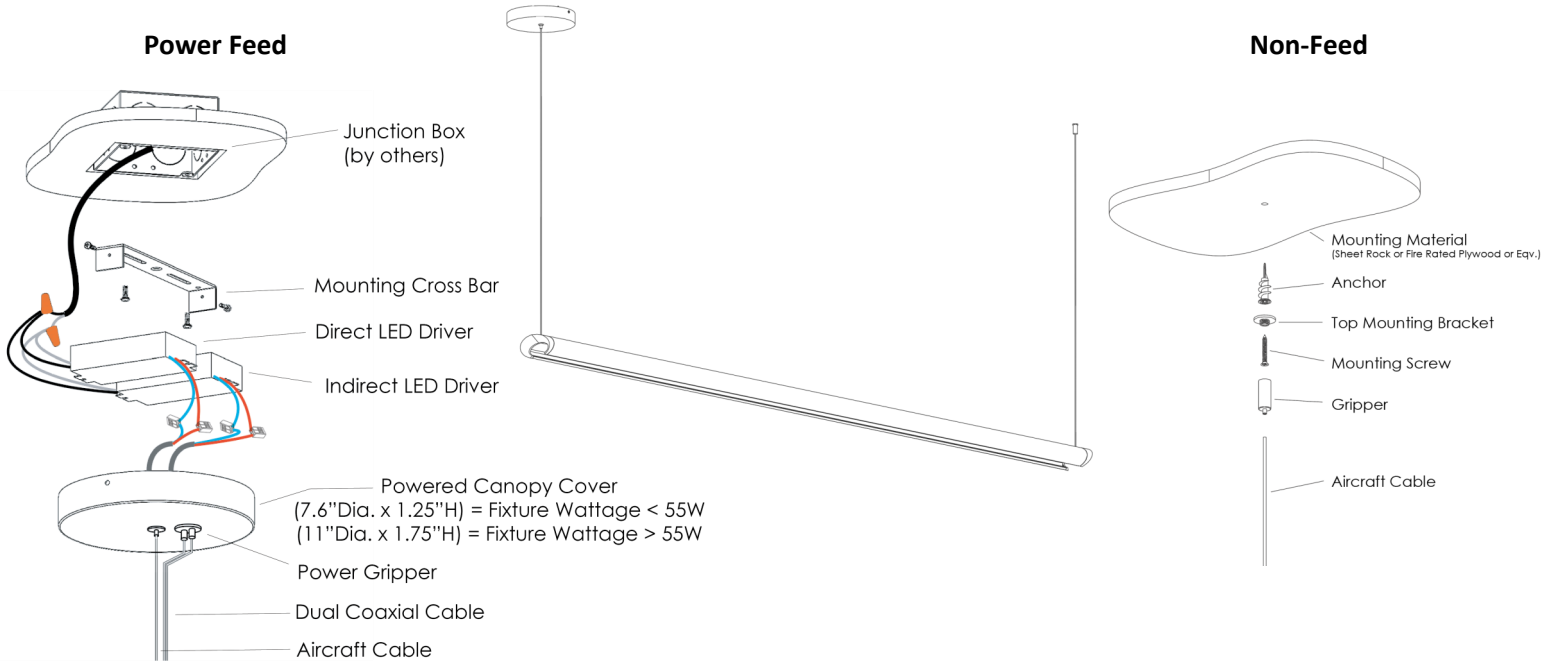
## Lx (Large Hyper Drive Remote Canopy)



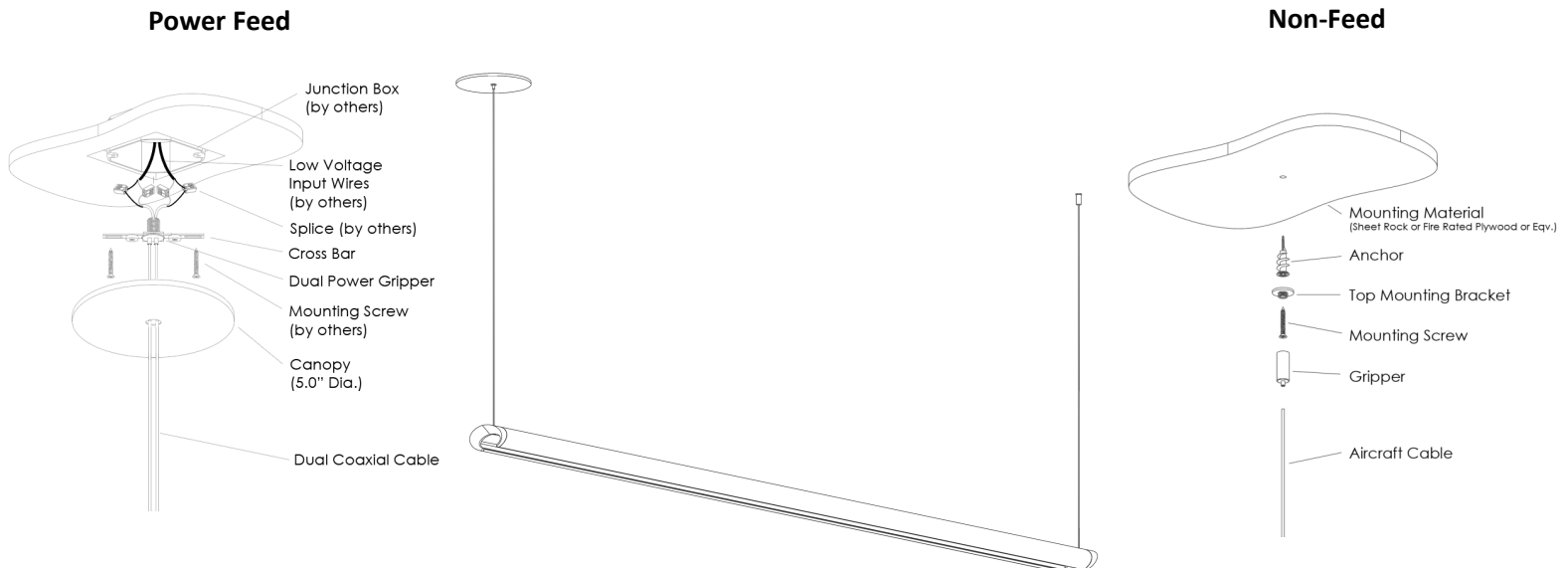
<b>Driver Form Factor</b>	Linear
<b>Input Rating</b>	120-277V
<b>Outputs</b>	Up to 8 (600W max)
<b>Max Remote Distance</b>	Up to 100' (30.5m)
<b>Dimensions</b>	24" x 24"
<b>Knockouts</b>	(20) 1/2"
<b>Battery</b>	Available

**2' - 6' Fixtures require 1 Non-Feed Mount. Fixtures larger than 6' require 2 Non-Feed Mount.**

## PCx - Powered Canopy (Driver Included)



## CRx - Canopy Recessed

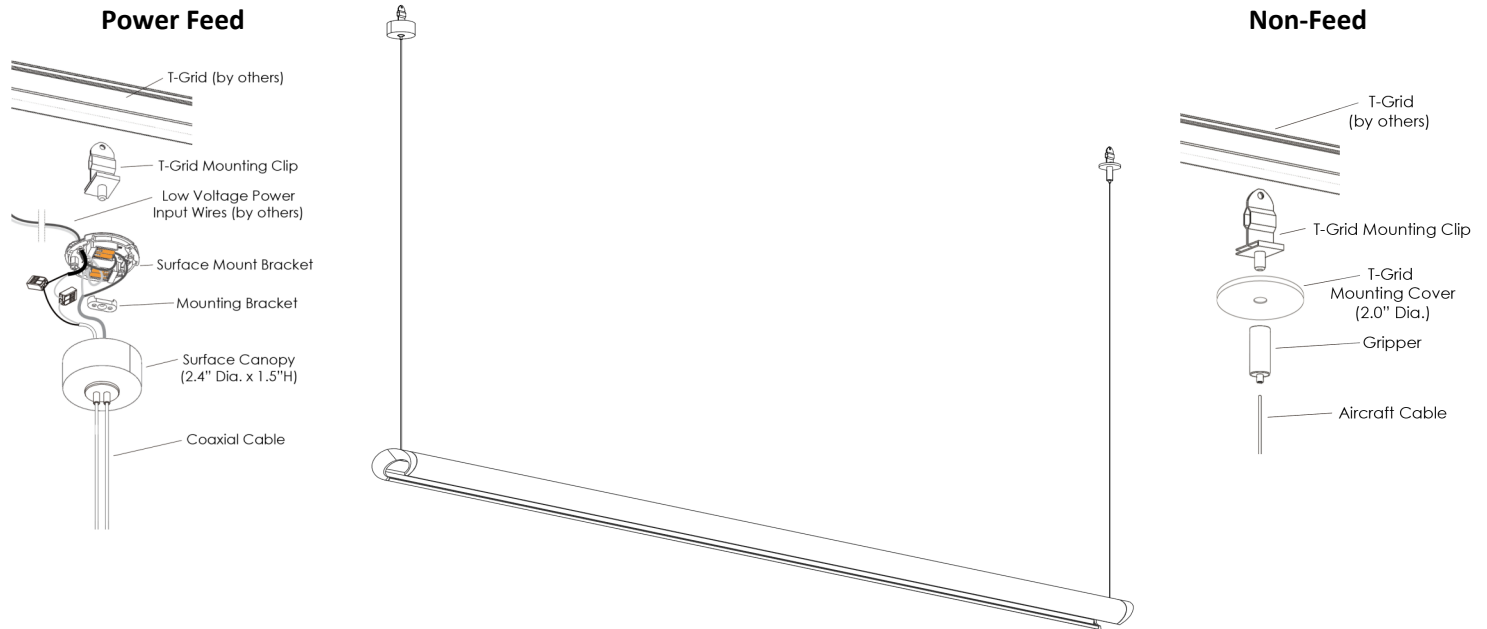


**REQUIRES  
HYPERDRIVE**

# AERO DIRECT/INDIRECT

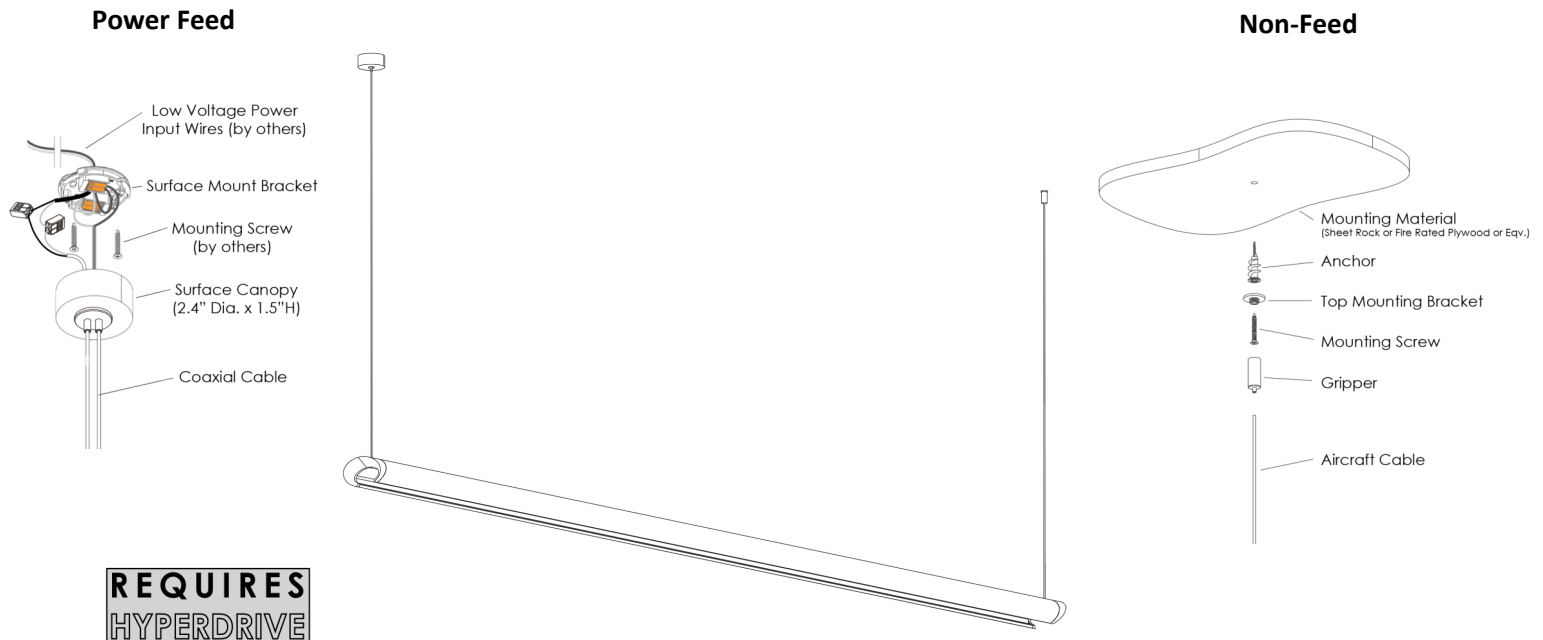
## MOUNTING OPTIONS

### CTx - Canopy T-Grid



**REQUIRES  
HYPERDRIVE**

### CSx - Canopy Surface



**REQUIRES  
HYPERDRIVE**

# AERO DIRECT/INDIRECT

## MOUNTING OPTIONS

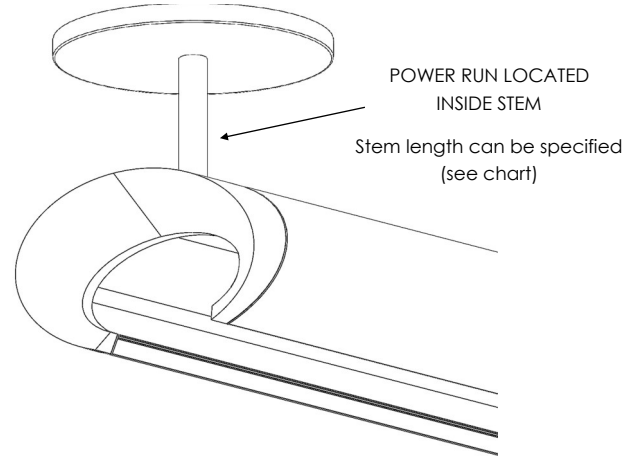
### STEMxx (Stem Mount With Canopy)

Please specify stem length when ordering. See "Stem Lengths" table for available options.

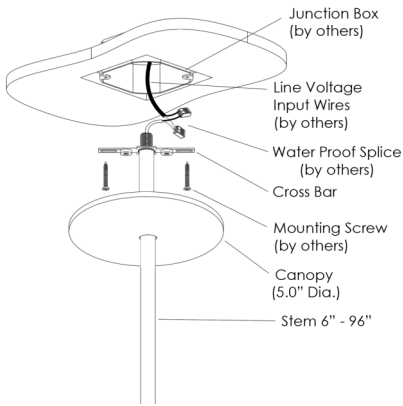
#### Stem Lengths

*Specified stem length is 3/4" shorter when measured from ceiling to fixture (CtoF).\**

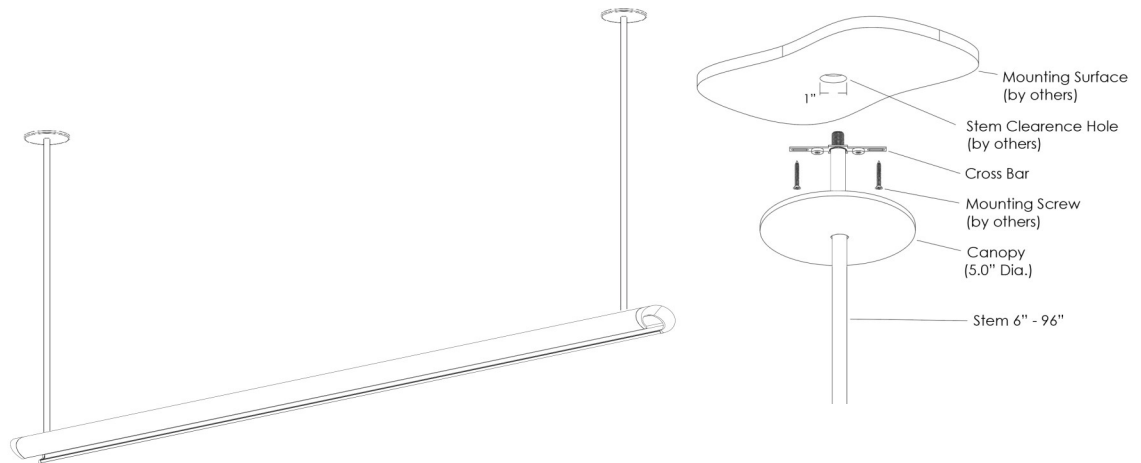
STEMxx	CtoF	STEMxx	CtoF	STEMxx	CtoF
6"	5.25"	24"	23.25"	60"	59.25"
8"	7.25"	27"	26.25"	66"	65.25"
9"	8.25"	30"	29.25"	72"	71.25"
12"	11.25"	36"	35.25"	78"	77.25"
15"	14.25"	42"	41.25"	84"	83.25"
18"	17.25"	48"	47.25"	90"	89.25"
21"	20.25"	54"	53.25"	96"	95.25"



#### Power Feed



#### Non - Power Feed

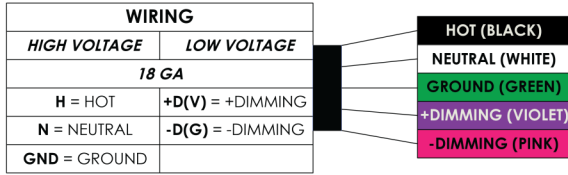


**REQUIRES  
HYPERDRIVE**

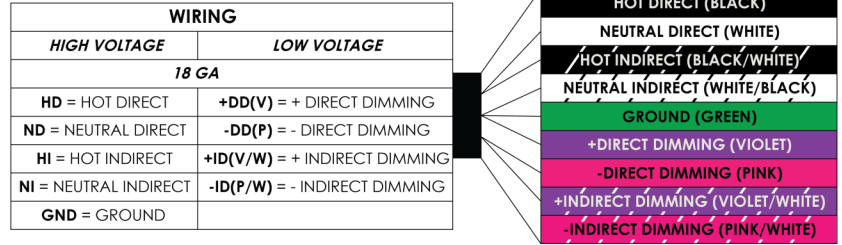
## WIRING DIAGRAMS

Wiring configurations are dependent on the options chosen. Below are a few examples of our standard wiring that is used to power the fixture.

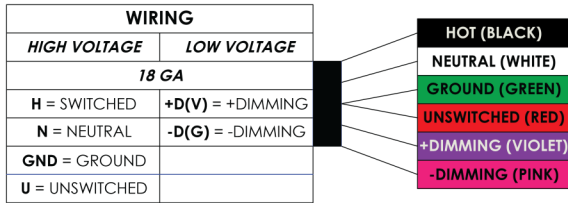
1C



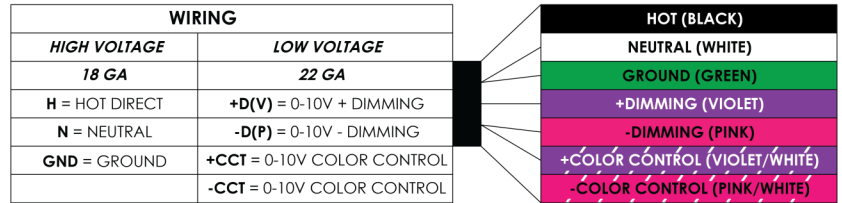
2C



1C-EMB



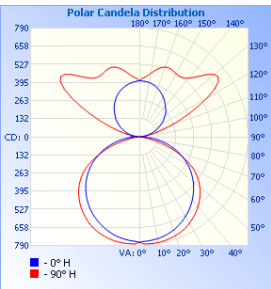
TW-A



Consult factory for additional wiring options

## PERFORMANCE

### AERODI-X-650-500-IDGL-BW (80+ CRI)



Model	Lumens	Watts	LPW
AERODI-4-650-500-IDGL-BW-30K	4600	54	85
AERODI-4-650-500-IDGL-BW-35K	4600	51	90
AERODI-4-650-500-IDGL-BW-40K	4600	50	92
AERODI-4-650-500-IDGL-BW-50K	4600	49	94

Model	Lumens	Watts	LPW
AERODI-8-650-500-IDGL-BW-30K	9200	101	91
AERODI-8-650-500-IDGL-BW-35K	9200	98	94
AERODI-8-650-500-IDGL-BW-40K	9200	95	97
AERODI-8-650-500-IDGL-BW-50K	9200	90	102

# AERO DIRECT/INDIRECT

## FINISHES

### STANDARD FINISHES



WHITE MINI TEXTURE



BLACK MINI TEXTURE

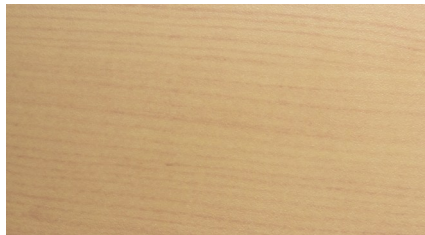


SILVER SPARKLE TEXTURE

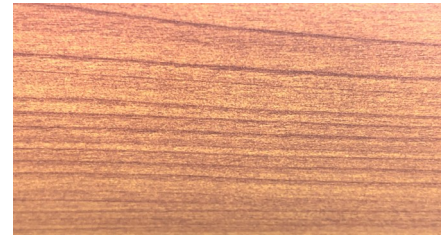
### PREMIUM STOCK FINISHES



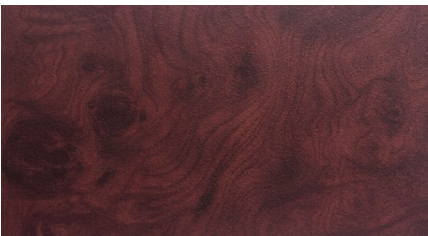
PSF001 (WOOD#1)



PSF002 (WOOD#2)



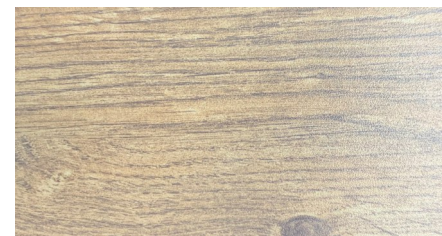
PSF003 (WOOD#3)



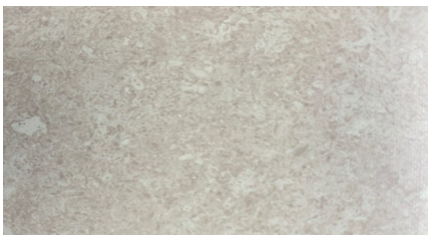
PSF004 (WOOD#4)



PSF005 (WOOD#5)



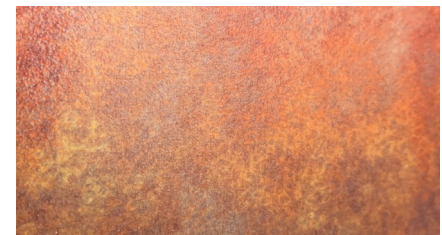
PSF006 (WOOD#6)



PSF007 (STONE #1)



PSF008 (STONE #2)



PSF009 (METAL #1)

**NOTE: A minimal impact to lead times will apply to products specified with Premium Stock Finishes (PSF). It is not to be assumed that these finishes are stocked in our warehouse, but rather, are readily available to us for your project.**

**All other custom finishes (PO) will incur a set up fee and will add an extended lead time to your project.**

# AERO DIRECT/INDIRECT

## SPECIFICATIONS

---

### Housing

Nominal 4.9" x 2.3" housing of continuous extruded 6063 T5 aluminum.

### Color

Colors for the housing are available in a powder coated white, black, silver and woodgrain with end cap to match. Consult factory for custom colors.

### Luminaire Length

2', 4', 6', or 8' lengths are available for a single stand-alone section. Sections can be joined to form longer rows.

### End Caps

Machined Aluminum flat end caps are mechanically attached with no exposed fasteners to enhance architectural aesthetic and prevent light leak.

### Source

Lumen packages are available in four color temperature options (2700K, 3000K, 3500K, 4000K and 5000K) — all within 3 MacAdam ellipses.

### Certification

RoHS (Restriction of Hazardous Substances) and Buy American Act compliant.

### Battery

Lithium ion battery providing up to 780lm(6W) or up to 1300lm(10W) for 90 minutes. UL924 listed. Class 2 compliant. Meets Title 20 CEC (California Energy Commission) efficiency standards.

### Environment

Suitable for dry and damp locations.  
Operating temp.: -40°C to +50°C  
-40°F to +122°F

### Dimming Driver

UL listed, class P (0-10V) dimming driver with programmable current for configurable fixture lumen outputs.  
2.5 Kv overcurrent protection  
Power factor >.9

### Packaging

Sustainably manufactured outside cardboard box and biodegradable, protective poly-foam luminaire inserts.

---

## WARRANTY

5-year limited warranty. Complete warranty terms can be located at:

[http://www.starteklightingamerica.com/images/pdf/warranty/Beam\\_Series\\_Warranty.pdf](http://www.starteklightingamerica.com/images/pdf/warranty/Beam_Series_Warranty.pdf)

Note: Actual performance may differ as a result of installation environment and final application.  
All values are design or typical values, measured under laboratory conditions, at 25°C (77°F) .