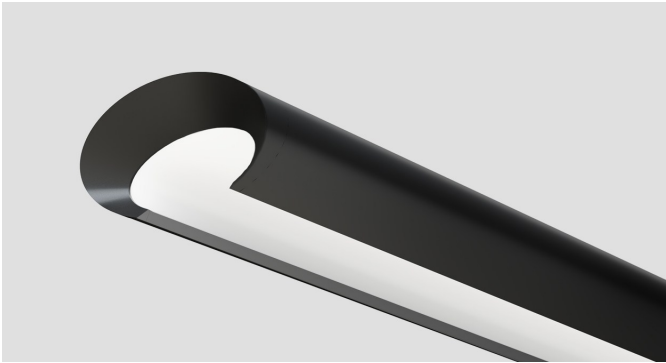


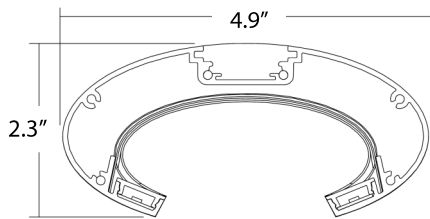
# AERO DIRECT



Type:	
Project:	
REP/Agent:	
Order #:	



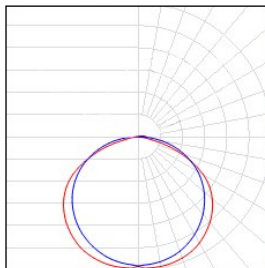
## DIMENSIONS



## FEATURES

- ★ Soft diffused direct illumination in a sleek modern minimalist style.
- ★ Thermally efficient extruded aluminum single piece housing
- ★ Standard 2', 4', 6' and 8' units, or continuous rows
- ★ Toolless height adjustment at the ceiling
- ★ Efficacy up to 115 lm/W
- ★ Textured powder coat finishes available in white, black, and silver
- ★ Premium finishes also available
- ★ Approved for dry and damp locations
- ★ 0-10v dimming is standard
- ★ Dim to 1% of output current is standard
- ★ Class 2 output for luminaire
- ★ 120-277V for power enclosure

## DISTRIBUTION



IDGL= Indirect Glow

## LUMEN PACKAGES

Based on 3500K CCT. Other CCT available.

MODEL	LUMENS	WATTS	Lm/W
AEROD-4-750-SD-35K-80	3000	30W	100
AEROD-8-750-SD-35K-80	6000	57W	105



Type:	
Project:	
REP/Agent:	
Order #:	

# AERO DIRECT

AEROD					
SERIES	LENGTH	LUMENS PER FOOT	DIRECT SHIELDING	CCT	CRI
AEROD	4= 4FT 8= 8FT xx= Custom length Sxx= Symmetric Run Length	350= 350 LPF 500= 500 LPF 750= 750 LPF 1000= 1000 LPF xx= Custom LPF	IDGL= Indirect Glow	27K= 2700K 30K= 3000K 35K= 3500K 40K= 4000K 50K= 5000K	80= 80 90= 90 (R9 50 min)

FINISH	MOUNTING (See Page 6-7 for Options)	ELECTRICAL
<p><b>STANDARD</b></p> <p>PW= Powder Coat White PB= Powder Coat Black PS= Powder Coat Silver</p> <p><b>PREMIUM</b></p> <p>PSFx= Premium Stock Finish</p> <p>RALxxxx= Powder Coat RALxxxx</p> <p><b>CUSTOM</b></p> <p>PO= Powder Coat Other*</p> <p>See pg. 7 for standard and premium options.</p>	<p><b>POWERED CANOPY</b> (Driver included, 120-277V)</p> <p>PCW= Powered Canopy White PCB= Powered Canopy Black</p> <div style="border: 1px solid black; padding: 5px;"> <p><b>CANOPY RECESSED</b></p> <p>CRW= Canopy Recessed White CRB= Canopy Recessed Black</p> <p><b>CANOPY T-GRID</b></p> <p>CTW= Canopy T-Grid White CTB= Canopy T-Grid Black</p> <p><b>CANOPY SURFACE</b></p> <p>CSW= Canopy Surface White CSB= Canopy Surface Black</p> <p><b>STEM MOUNTS</b></p> <p>STEMWxx= Stem Mount White xx" STEMBxx= Stem Mount Black xx"</p> <p><b>*Items in grey box require Hyperdrive Remote Driver*</b></p> </div>	<p>1C= Single Circuit</p>

REMOTE OPTIONS	HYPERDRIVE CIRCUIT
<p>Ex= EM Battery designated fixture (Ordered with Hyperdrive) Replace X with battery Qty. Not available with Powered Canopy, Consult factory</p>	<p>HDxx= HyperDrive Circuit Not required for the Powered Canopy configuration</p>

**EXAMPLE: AEROD-4-750-IDGL-35K-80-PB-CRW-1C-HD01**

Type:	
Project:	
REP/Agent:	
Order #:	

# HYPER DRIVE REMOTE POWER SYSTEM

HYPD				
SERIES	SIZE / DRIVER QTY	EMERGENCY BATTERY (OPTIONAL)	MOUNTING	FINISH
HYPD	<p>Replace x with driver quantity</p> <p><b>Sx</b>= Small– up to two drivers (190W) 7.5" x 7.5"</p> <p><b>Mx</b>= Medium– up to four drivers (300W) 16" x 24"</p> <p><b>Lx</b>= Large– up to eight drivers (600W) 24" x 24"</p>	<p>Replace # with battery quantity</p> <p><b>NONE</b>= No Emergency Battery</p> <p><b>#EMB6</b>= 6W EM Battery (Iota/Bodine)</p> <p><b>#EMB10</b>= 10W EM Battery (Iota/Bodine)</p> <p><b>#FCEMB10</b>= 10W EM Battery (Factory Choice)</p> <p><b>Note: Batteries are only available in Medium and Large enclosures. Each emergency battery reduces the driver quantity of the Hyper Drive.</b></p>	<p><b>S</b>= Surface/ Strut</p> <p><b>R</b>= Recessed</p>	<p><b>STANDARD</b></p> <p><b>PW</b>= Powder Coat White</p> <p><b>PB</b>= Powder Coat Black</p> <p><b>PREMIUM</b></p> <p><b>RALxxxx</b>= Power Coat RAL xxxx (Gloss Finish)</p>

VOLTAGE	OPTIONS	HYPERDRIVE CIRCUIT
<p><b>U</b>= 120-277</p> <p><b>C</b>= 347</p>	<p><b>SPECIALTY DRIVERS</b> (Standard driver is 0-10V, dim to 1% output current)</p> <p><b>DT1</b>= eldoLED EcoDrive Dim to 1% (0-10V)</p> <p><b>DTZ</b>= eldoLED SoloDrive Dim to 0.1% (0-10V)</p> <p><b>PSRD</b>= Signify Sensor Ready (DALI) Driver</p> <p><b>LDE1</b>= Lutron Hi-Lume EcoSystem LED driver w/ Soft-on, Fade-to-Black</p> <p><b>TW-A</b>= Tunable White, 0-10v</p> <p><b>TW-EL</b>= eldoLED DUALdrive Tunable White (DALI)</p> <p>Consult factory for additional driver options</p> <p><b>SENSORS</b></p> <p>Consult factory for options</p> <p><b>OTHERS</b></p> <p><b>CP</b>= Chicago Plenum (CCEA)</p>	<p><b>HDxx</b>= HyperDrive Circuit</p>

**EXAMPLE: HYPD-L7-1EMB6-R-PW-U-DTZ-HD01**

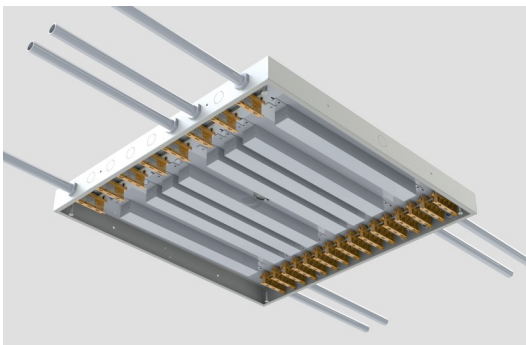
## NOTES & LIMITATIONS

One driver is required per direct only fixture (8' max length)

Consult factory for custom configurations and drivers not listed.

### **L8 configuration shown** (shown with front cover removed)

Each driver is provided with a terminal block on both input and output side for ease of wiring and installation.



## How to use this guide

Fill out the worksheet to specify your requirements for your configurations. Be sure to callout battery and sensor locations.

Refer to the run chart for standard run configurations on linear lengths, consult factory for custom configurations.

Use the order guide to create your BOM for your configuration.

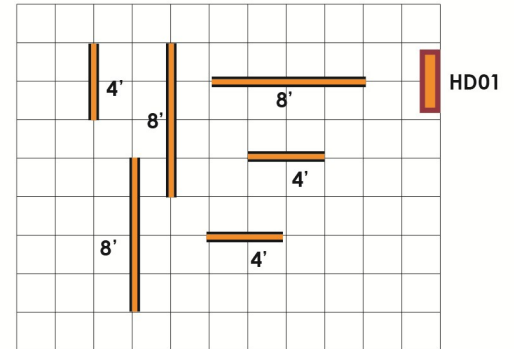
**Submit the worksheet along with your order.**

## #1 Example Bill of Materials

Qty. Type

3	AEROD-4-750-IDGL-35K-80-PB-CRB-1C-HD01	
3	AEROD-8-750-IDGL-35K-80-PB-CRB-1C-HD01	
1	HYPD-L6-NONE-R-PW-U-DTZ-HD01	

## #1 Example Configuration



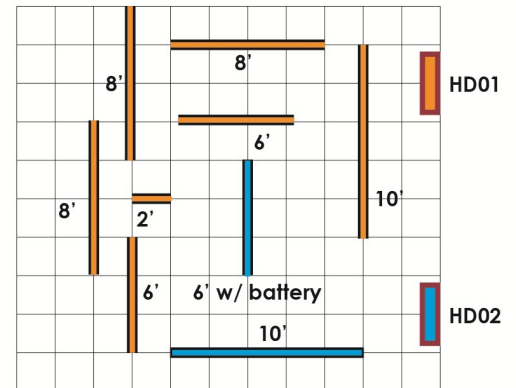
Note: Low Voltage Power transfer wire between fixture and HyperDrive remote power system provided by others.

## #2 Example Bill of Materials

Qty. Type

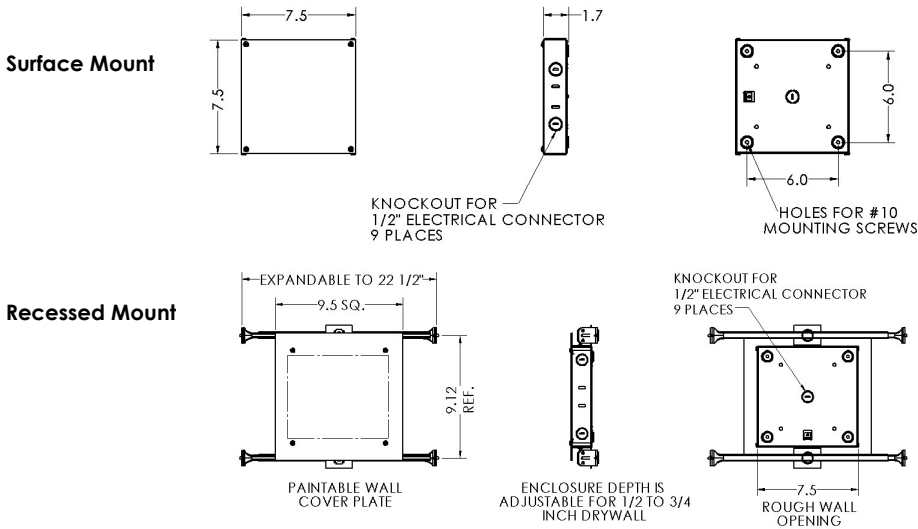
3	AEROD-8-750-IDGL-35K-80-PB-CRB-1C-HD011	
2	AEROD-6-750-IDGL-35K-80-PB-CRB-1C-HD01	
1	AEROD-2-750-IDGL-35K-80-PB-CRB-1C-HD01	
1	AEROD-10-750-IDGL-35K-80-PB-CRB-1C-HD01	
1	AEROD-6-750-IDGL-35K-80-PB-CRB-1C-E1-HD02	
1	AEROD-10-750-IDGL-35K-80-PB-CRB-1C-E1-HD02	
1	HYPD-L8-NONE-R-PW-U-DTZ-HD01	
1	HYPD-M3-1EMB6-R-PW-U-DTZ-HD02	

## #2 Example Configuration



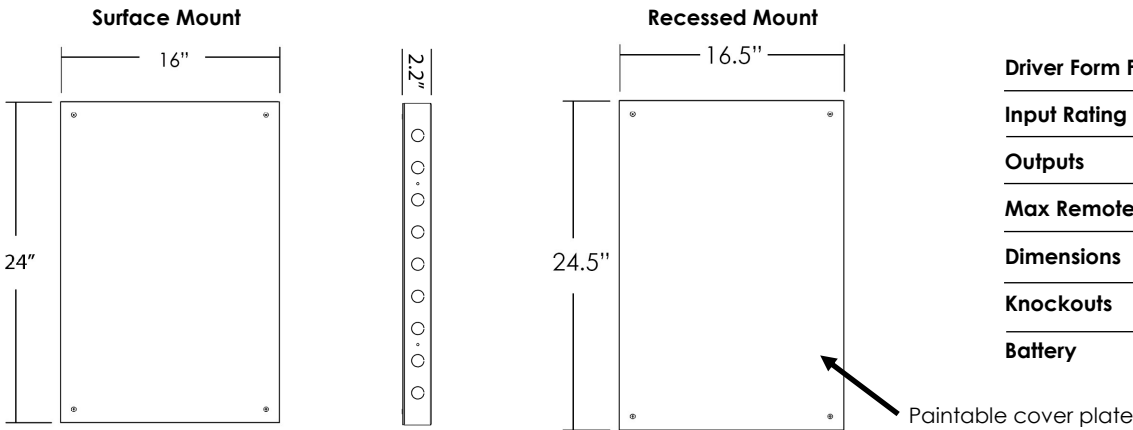
Note: Low Voltage Power transfer wire between fixture and HyperDrive remote power system provided by others.

## Sx (Small Hyper Drive Remote Canopy)



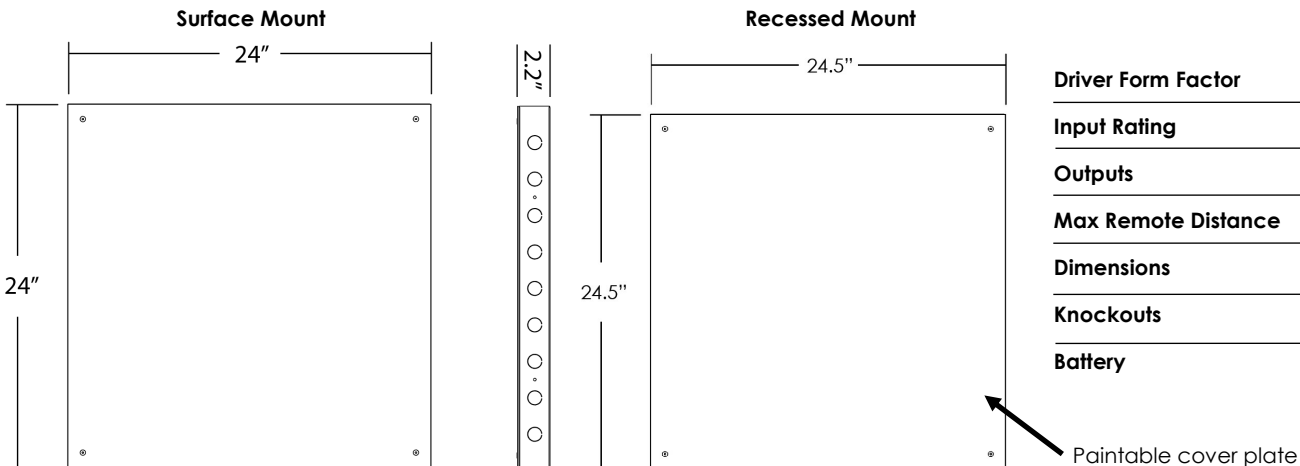
<b>Driver Form Factor</b>	Compact
<b>Input Rating</b>	120-277V
<b>Outputs</b>	Up to 2 (190W max)
<b>Max Remote Distance</b>	Up to 100' (30.5m)
<b>Dimensions</b>	7.5" x 7.5"
<b>Knockouts</b>	(9) 1/2"
<b>Battery</b>	Not Available

## Mx (Medium Hyper Drive Remote Canopy)



<b>Driver Form Factor</b>	Linear
<b>Input Rating</b>	120-277V
<b>Outputs</b>	Up to 4 (300W max)
<b>Max Remote Distance</b>	Up to 100' (30.5m)
<b>Dimensions</b>	16" x 24"
<b>Knockouts</b>	(20) 1/2"
<b>Battery</b>	Available

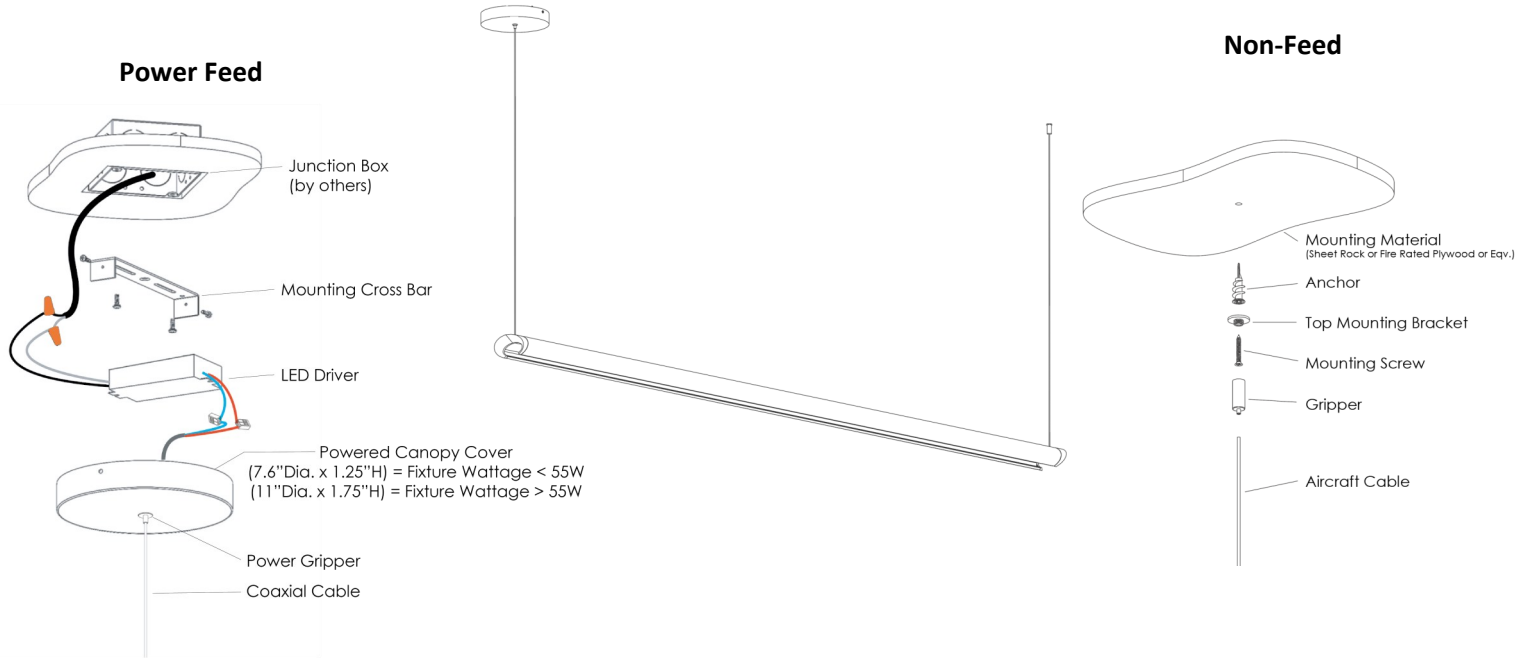
## Lx (Large Hyper Drive Remote Canopy)



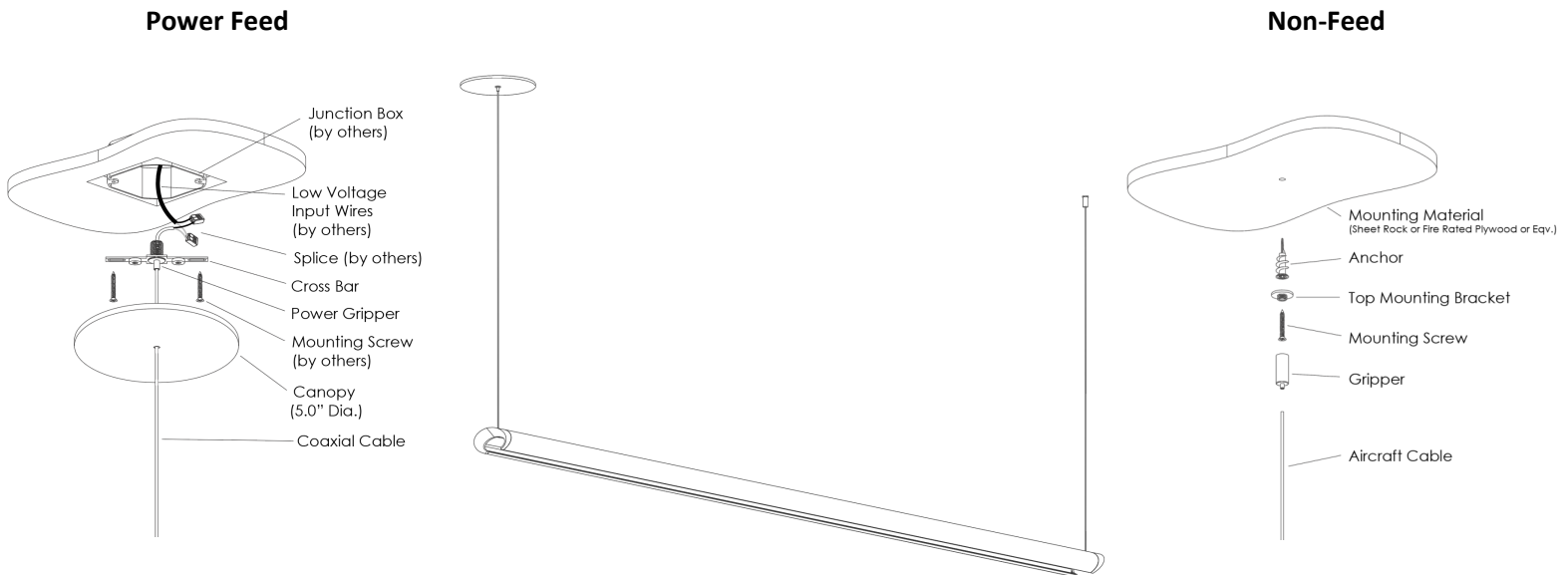
<b>Driver Form Factor</b>	Linear
<b>Input Rating</b>	120-277V
<b>Outputs</b>	Up to 8 (600W max)
<b>Max Remote Distance</b>	Up to 100' (30.5m)
<b>Dimensions</b>	24" x 24"
<b>Knockouts</b>	(20) 1/2"
<b>Battery</b>	Available

**2' - 6' Fixtures require 1 Non-Food Mount. Fixtures larger than 6' require 2 Non-Food Mount.**

**PCx - Powered Canopy (Driver Included)**



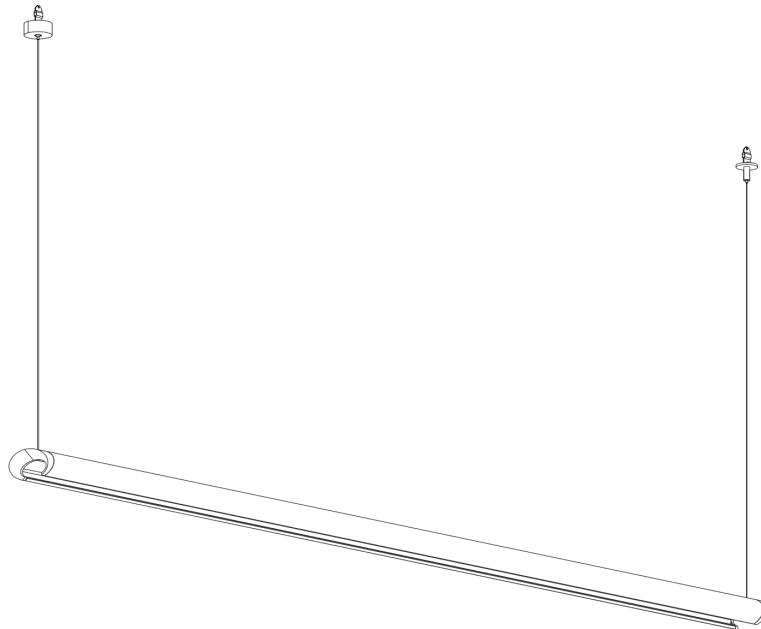
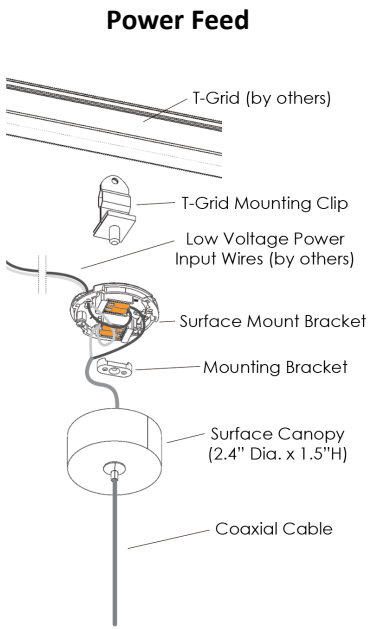
**CRx - Canopy Recessed**



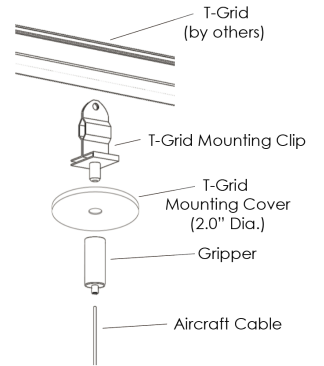
**REQUIRES  
HYPERDRIVE**

**CTx - Canopy T-Grid**

**Power Feed**



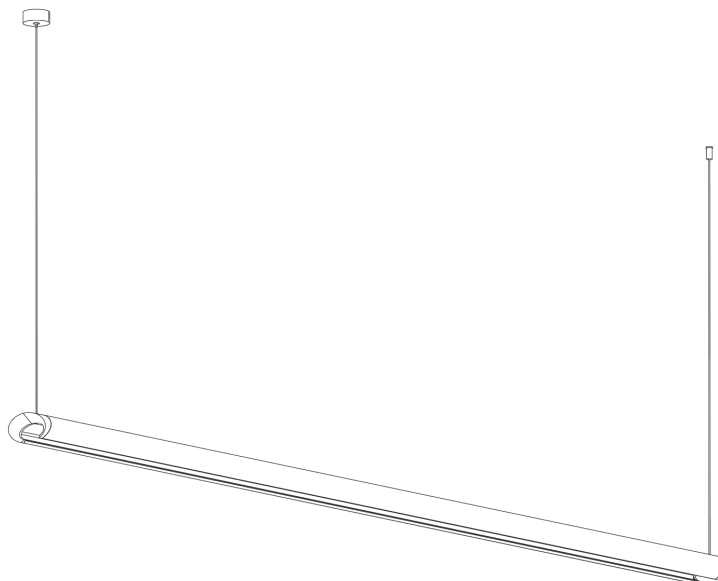
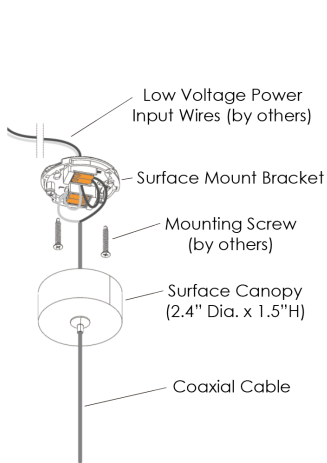
**Non-Feed**



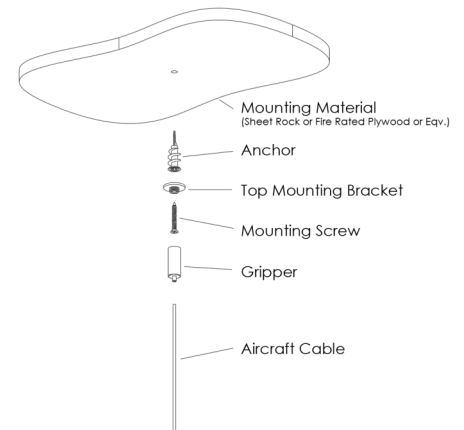
**REQUIRES  
HYPERDRIVE**

**CSx - Canopy Surface**

**Power Feed**



**Non-Feed**



**REQUIRES  
HYPERDRIVE**

## MOUNTING OPTIONS

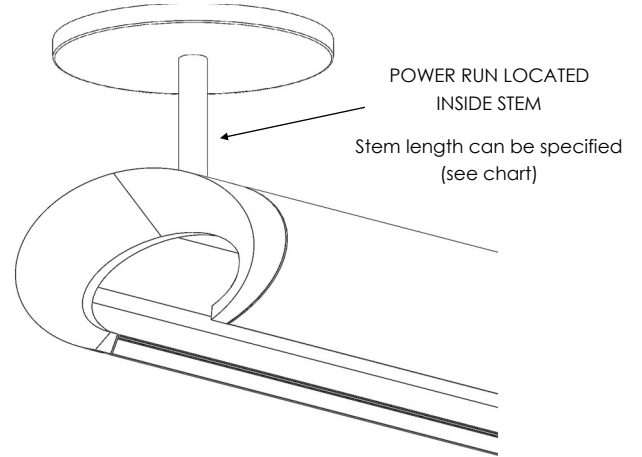
### STEMxx (Stem Mount With Canopy)

Please specify stem length when ordering. See "Stem Lengths" table for available options.

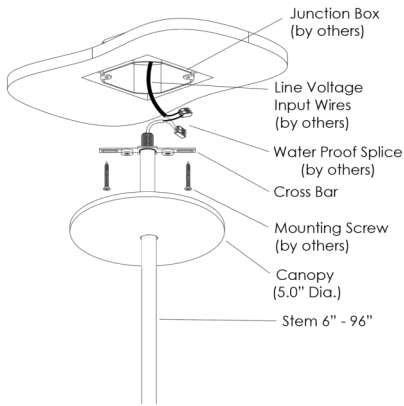
#### Stem Lengths

*Specified stem length is 3/4" shorter when measured from ceiling to fixture (CtoF).\**

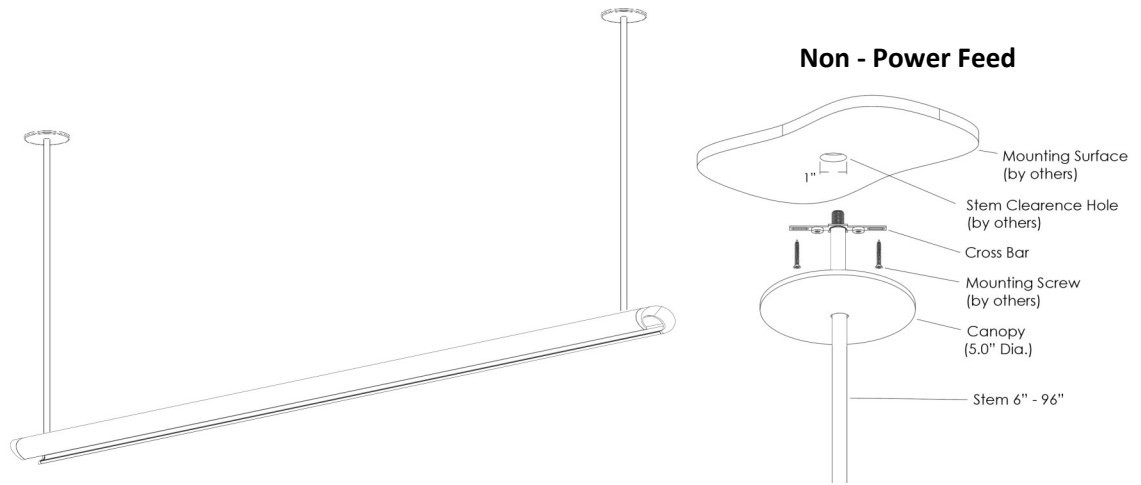
STEMxx	CtoF	STEMxx	CtoF	STEMxx	CtoF
6"	5.25"	24"	23.25"	60"	59.25"
8"	7.25"	27"	26.25"	66"	65.25"
9"	8.25"	30"	29.25"	72"	71.25"
12"	11.25"	36"	35.25"	78"	77.25"
15"	14.25"	42"	41.25"	84"	83.25"
18"	17.25"	48"	47.25"	90"	89.25"
21"	20.25"	54"	53.25"	96"	95.25"



#### Power Feed



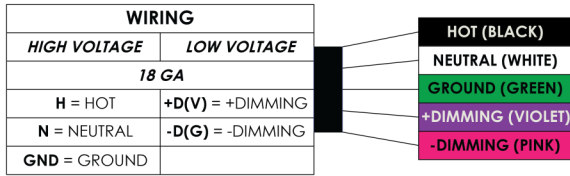
#### Non - Power Feed



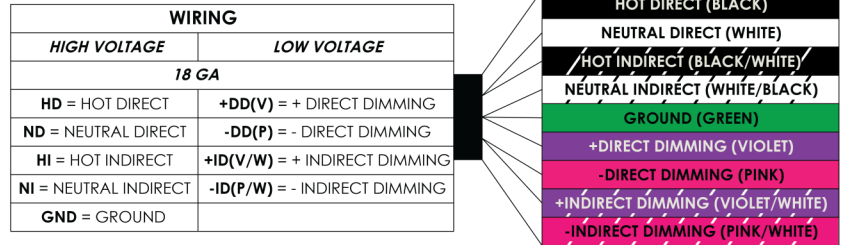
## WIRING DIAGRAMS

Wiring configurations are dependent on the options chosen. Below are a few examples of our standard wiring that is used to power the fixture.

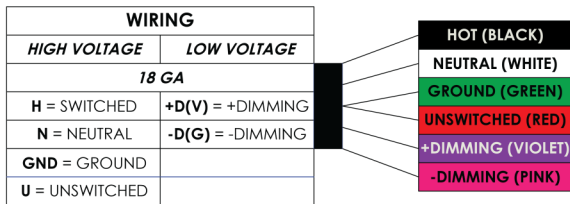
1C



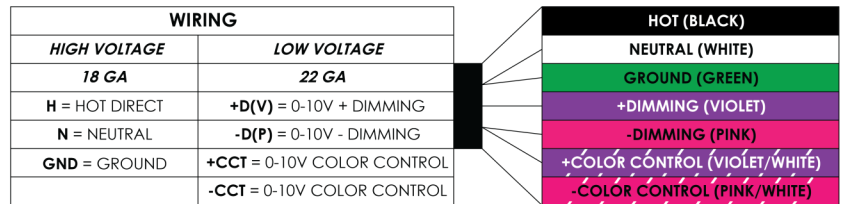
2C



1C-EMB



TW-A

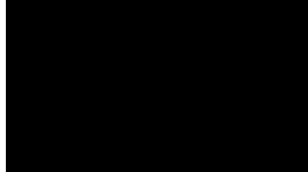


**Consult factory for additional wiring options**

### STANDARD FINISHES



WHITE MINI TEXTURE



BLACK MINI TEXTURE

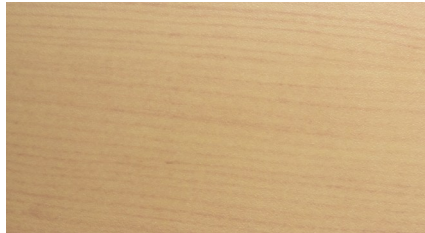


SILVER SPARKLE TEXTURE

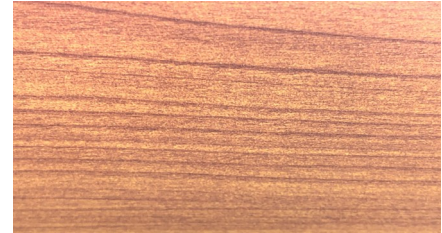
### PREMIUM STOCK FINISHES



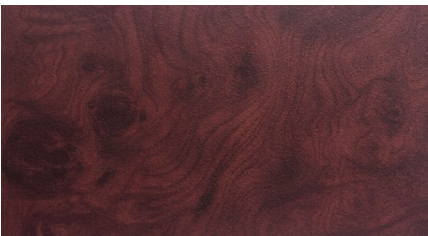
PSF001 (WOOD#1)



PSF002 (WOOD#2)



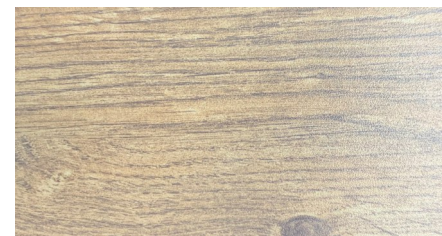
PSF003 (WOOD#3)



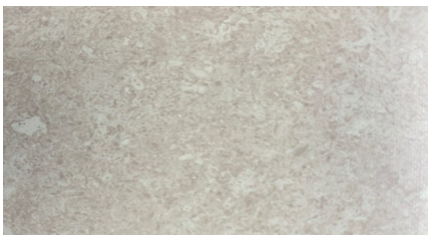
PSF004 (WOOD#4)



PSF005 (WOOD#5)



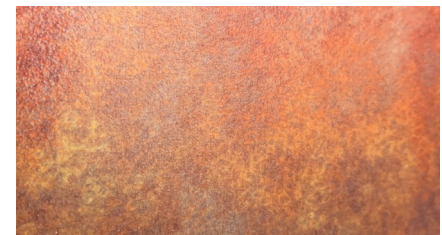
PSF006 (WOOD#6)



PSF007 (STONE #1)



PSF008 (STONE #2)



PSF009 (METAL #1)

**NOTE: A minimal impact to lead times will apply to products specified with Premium Stock Finishes (PSF). It is not to be assumed that these finishes are stocked in our warehouse, but rather, are readily available to us for your project.**

**All other custom finishes (PO) will incur a set up fee and will add an extended lead time to your project.**

### Housing

Nominal 4.9" x 2.3" square housing of continuous extruded 6063 T5 aluminum.

### Color

Colors for the housing are available in a powder coated white, black, silver and woodgrain with end cap to match. Consult factory for custom colors.

### Luminaire Length

2', 4', 6', or 8' lengths are available for a single stand-alone section. Sections can be joined to form longer rows.

### End Caps

Machined Aluminum end caps are mechanically attached with no exposed fasteners to enhance architectural aesthetic and prevent light leak.

### Source

Lumen packages are available in four color temperature options (3000K, 3500K, 4000K and 5000K) — all within 3 MacAdam ellipses.

### Certification

RoHS (Restriction of Hazardous Substances) and Buy American Act compliant.

### Battery

Lithium ion battery providing up to 780lm(6W) or up to 1300lm(10W) for 90 minutes. UL924 listed. Class 2 compliant. Meets Title 20 CEC (California Energy Commission) efficiency standards.

### Environment

Suitable for dry and damp locations.  
Operating temp.: -40°C to +50°C  
-40°F to +122°F

### Dimming Driver

UL listed, class P (0-10V) dimming driver with programmable current for configurable fixture lumen outputs.  
2.5 Kv overcurrent protection  
Power factor >.9

### Packaging

Sustainably manufactured outside cardboard box and biodegradable, protective poly-foam luminaire inserts.

---

## WARRANTY

5-year limited warranty. Complete warranty terms can be located at:

[http://www.starteklightingamerica.com/images/pdf/warranty/Beam\\_Series\\_Warranty.pdf](http://www.starteklightingamerica.com/images/pdf/warranty/Beam_Series_Warranty.pdf)

Note: Actual performance may differ as a result of installation environment and final application.  
All values are design or typical values, measured under laboratory conditions, at 25°C (77°F) .