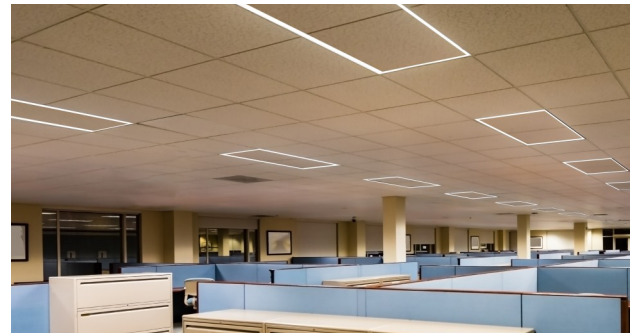
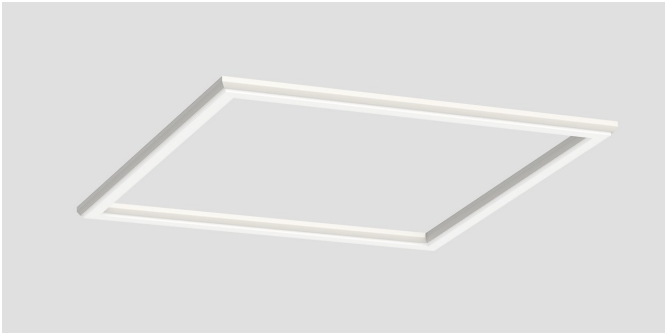
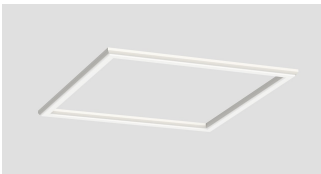


Type:	
Project:	
REP/Agent:	
Order #:	

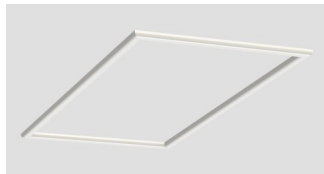
MICRO PANEL



CONFIGURATIONS

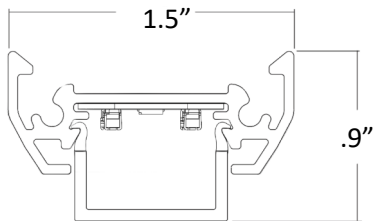


2' x 2'

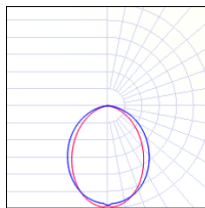


2' x 4'

DIMENSIONS



DISTRIBUTION



DL025= Satin Diffuse .25" Drop

FEATURES

- ★ Soft diffused direct illumination in a sleek modern minimalist style.
- ★ Thermally efficient extruded aluminum single piece housing
- ★ 2'x 2' or 2'x 4' units
- ★ Powder coat finishes available in white and black
- ★ 0-10v dimming is standard
- ★ Dim to 1% of output current is standard
- ★ 120-277 for power enclosures
- ★ Approved for dry and damp locations
- ★ Plenum rated cable is standard on T-Grid mounted fixtures
- ★ Plenum rated enclosures available
- ★ Three power choices of Hyperdrive remote power system
- ★ 90 CRI (R9 50 min) available
- ★ 5 year system warranty
- ★ Class 2 input for luminaire

LUMEN PACKAGES

Based on 3500K CCT. Other CCT available.

MODEL	LUMENS	WATTS	Lm/W
MPANL-2-4000-DL025-35K-80	4000	34	118
MPANL-4-8000-DL025-35K-80	8000	65	123



Type:	
Project:	
REP/Agent:	
Order #:	

MICRO PANEL

MPANL					
SERIES	CONFIGURATION	TOTAL LUMENS	DISTRIBUTION	CCT	CRI
MPANL	2 = 2' x 2' 4 = 2' x 4'	2000= 2000 Lumens 4000= 4000 Lumens 6000= 6000 Lumens 8000= 8000 Lumens xxxx= Custom Lumens	DL025 = Satin Diffuse .25" Drop	27K= 2700K 30K= 3000K 35K= 3500K 40K= 4000K 50K= 5000K	80= 80 90= 90 (R9.50 min)

FINISH	MOUNTING (See Page 6-8 for Options)	ELECTRICAL
STANDARD PW= Powder Coat White PB= Powder Coat Black	POWERED CANOPY (Driver included, 120-277V) PCW= Powered Canopy White (available with PM mount option only) PCB= Powered Canopy Black (available with PM mount option only)	1C= Single Circuit

PREMIUM
RALxxx= Powder Coat RAL xxx.

CANOPY RECESSED
 CRW= Canopy Recessed White
 CRB= Canopy Recessed Black

CANOPY T-GRID
 CTW= Canopy T-Grid White
 CTB= Canopy T-Grid Black

CANOPY SURFACE
 CSW= Canopy Surface White
 CSB= Canopy Surface Black

T-GRID¹
 TB1= 9/16" Grid
 TB2= 15/16" Grid
 TB3= 9/16" Grid (Tegular)
 TB4= 15/16" Grid (Tegular)

SURFACE
 SMM= Surface Mount Magnet

Items in grey box require Hyperdrive Remote Driver

REMOTE OPTIONS	HYPERDRIVE CIRCUIT
Ex= EM Battery designated fixture (Ordered with Hyperdrive) Replace X with battery Qty. Not available with Powered Canopy, Consult factory	HDxx= HyperDrive Circuit Not required for the Powered Canopy configuration

EXAMPLE: MPANL-4-2000-DL025-35K-80-PW-CSW-1C-HD01

¹ Requires Hyperdrive Remote Driver

Type:	
Project:	
REP/Agent:	
Order #:	

HYPER DRIVE REMOTE POWER SYSTEM

HYPD				
SERIES	SIZE / DRIVER QTY	EMERGENCY BATTERY (OPTIONAL)	MOUNTING	FINISH
HYPD	<p>Replace x with driver quantity</p> <p>Sx= Small– up to two drivers (190W)</p> <p>Mx= Medium– up to four drivers (300W)</p> <p>Lx= Large– up to eight drivers (600W)</p>	<p>Replace # with battery quantity</p> <p>NB= No Emergency Battery</p> <p>#EMB6= 6W EM Battery (Bodine)</p> <p>#EMB10= 10W EM Battery (Bodine)</p> <p>#FCEMB10= 10W EM Battery (Factory Choice)</p> <p><i>Note: Batteries are only available in Medium and Large enclosures. Each emergency battery reduces the driver quantity of the Hyper Drive.</i></p>	<p>S= Surface/ Strut</p> <p>R= Recessed</p>	<p>STANDARD</p> <p>PW= Powder Coat White</p> <p>PB= Powder Coat Black</p> <p>PREMIUM</p> <p>RALxxxx= Power Coat</p> <p>RAL xxxx (Gloss Finish)</p>

VOLTAGE	OPTIONS	HYPERDRIVE CIRCUIT
U= 120-277	<p>SPECIALTY DRIVERS (Standard driver is 0-10V, dim to 1% output current)</p> <p>DT1= eldoLED EcoDrive Dim to 1% (0-10V)</p> <p>DTZ= eldoLED SoloDrive Dim to 0.1% (0-10V)</p> <p>PSRD= Signify Sensor Ready (DALI) Driver</p> <p>LDE1= Lutron Hi-Lume EcoSystem LED driver w/ Soft-on, Fade-to-Black</p> <p>TW-A= Tunable White, 0-10v</p> <p>TW-EL= eldoLED DUALdrive Tunable White (DALI)</p> <p>Consult factory for additional driver options</p> <p><i>Note: Specialty driver options are not available with the small power-box option, with the exception of TW-A</i></p> <p>SENSORS</p> <p>Consult factory for options</p> <p>OTHERS</p> <p>CP= Chicago Plenum (CCEA)</p>	<p>HDxx= HyperDrive Circuit</p>

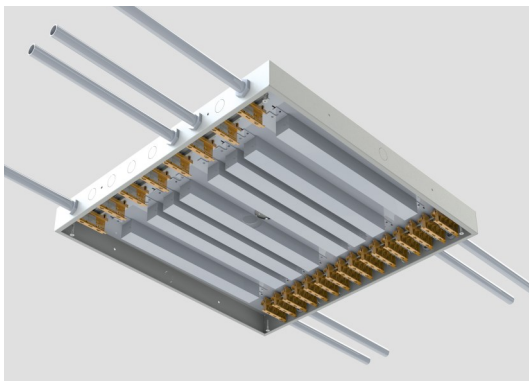
EXAMPLE: HYPD-L8-R-PW-DTZ-HD01

NOTES & LIMITATIONS

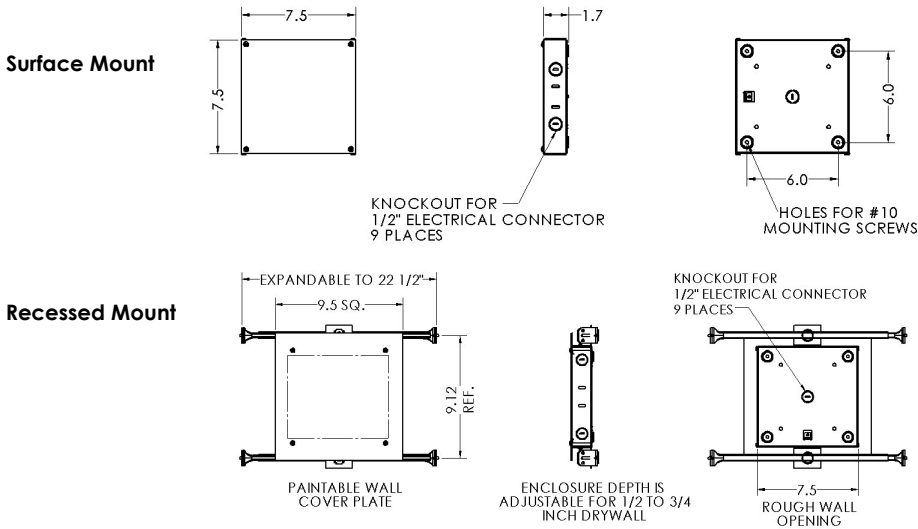
One driver is required per direct only fixture (8' max length)
Consult factory for custom configurations and drivers not listed.

L8 configuration shown (shown with front cover removed)

Each driver is provided with a terminal block on both input and out put side for ease of wiring and installation.

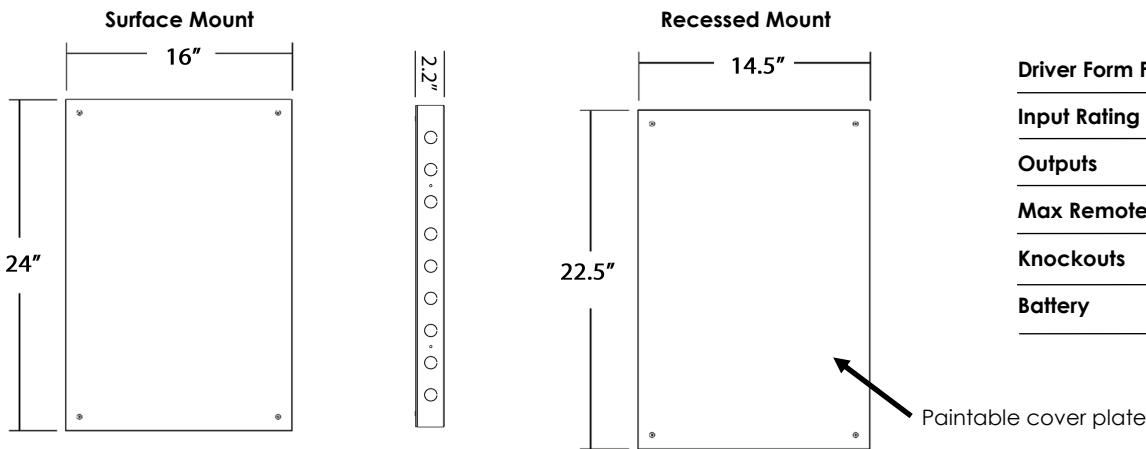


Sx (Small Hyper Drive Remote Canopy)



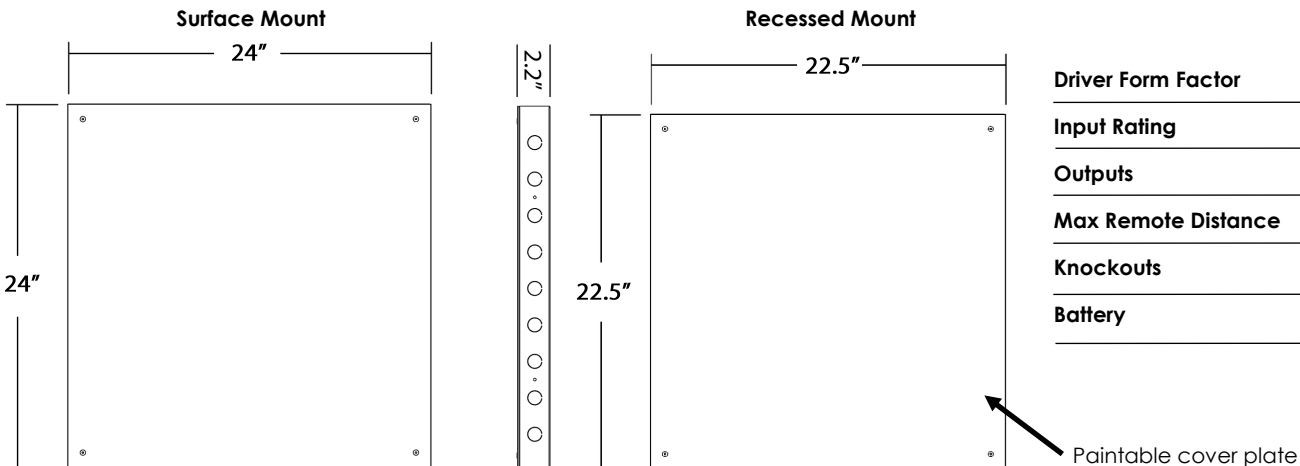
Driver Form Factor	Compact
Input Rating	120-277V
Outputs	Up to 2 (190W max)
Max Remote Distance	Up to 100' (30.5m)
Knockouts	(9) 1/2"
Battery	Not Available

Mx (Medium Hyper Drive Remote Canopy)



Driver Form Factor	Linear
Input Rating	120-277V
Outputs	Up to 4 (300W max)
Max Remote Distance	Up to 100' (30.5m)
Knockouts	(20) 1/2"
Battery	Available

Lx (Large Hyper Drive Remote Canopy)



Driver Form Factor	Linear
Input Rating	120-277V
Outputs	Up to 8 (600W max)
Max Remote Distance	Up to 100' (30.5m)
Knockouts	(20) 1/2"
Battery	Available

How to use this guide

Fill out the worksheet to specify your requirements for your configurations. Be sure to callout battery and sensor locations.

Refer to the run chart for standard run configurations on linear lengths, consult factory for custom configurations.

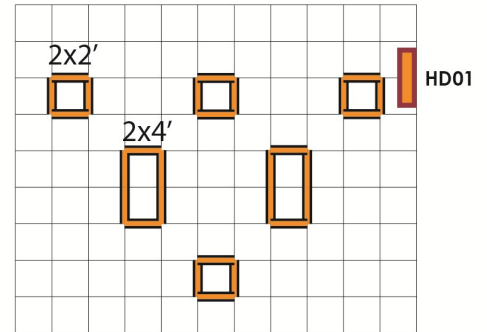
Use the order guide to create your BOM for your configuration.

Submit the worksheet along with your order.

#1 Example Bill of Materials

Qty.	Type	
4	MPANL-2-4000-DL025-35K-80-PW-CSW-1C-HD01	
2	MPANL-4-6000-DL025-35K-80-PW-CSW-1C-HD01	
1	HYPD-L6-NB-R-PW-DTZ-HD01	

#1 Example Configuration

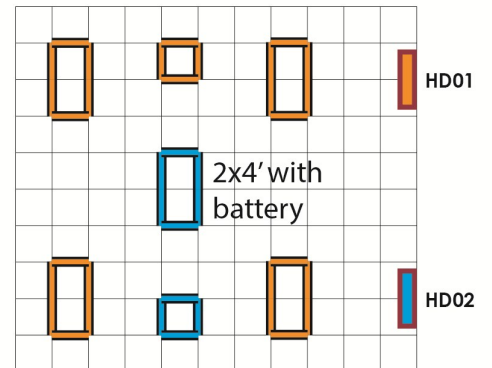


Note: Low Voltage Power transfer wire between fixture and HyperDrive remote power system provided by others.

#2 Example Bill of Materials

Qty.	Type	
4	MPANL-4-8000-DL025-35K-80-PW-CSW-1C-HD01	
1	MPANL-2-2000-DL025-35K-80-PW-CSW-1C-HD01	
1	MPANL-4-6000-DL025-35K-80-PW-CSW-1C-E1-HD02	
1	MPANL-2-4000-DL025-35K-80-PW-CSW-1C-HD02	
1	HYPD-L5-NB-R-PW-DTZ-HD01	
1	HYPD-M3-1EMB6-R-PW-DTZ-HD02	

#2 Example Configuration



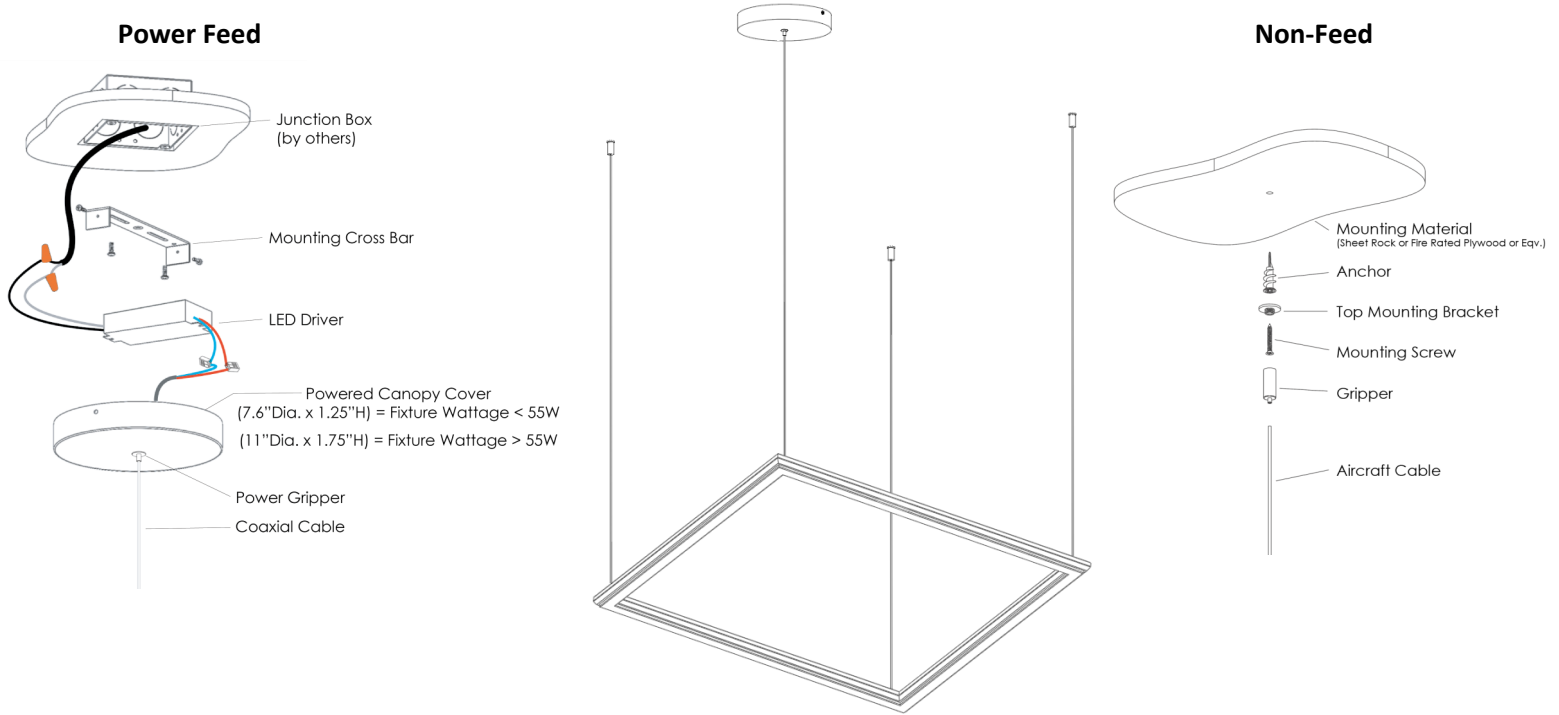
Note: Low Voltage Power transfer wire between fixture and HyperDrive remote power system provided by others.

MICRO PANEL

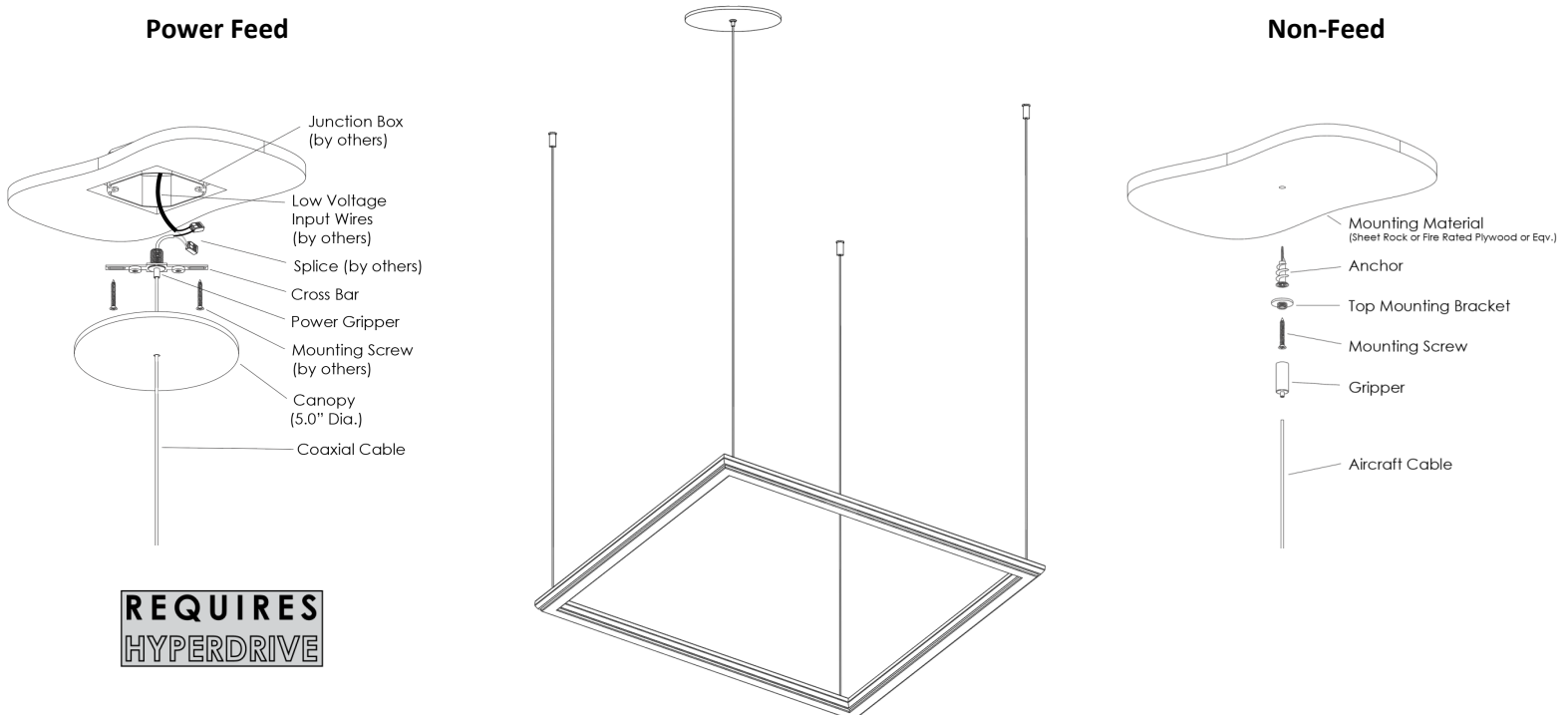
MOUNTING OPTIONS

2' - 6' Fixtures require 1 Non-Feed Mount. Fixtures larger than 6' require 2 Non-Feed Mount.

PCx - Powered Canopy (Driver Included)



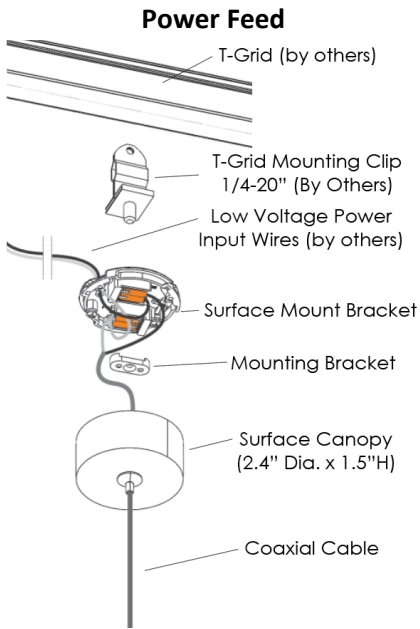
CRx - Canopy Recessed



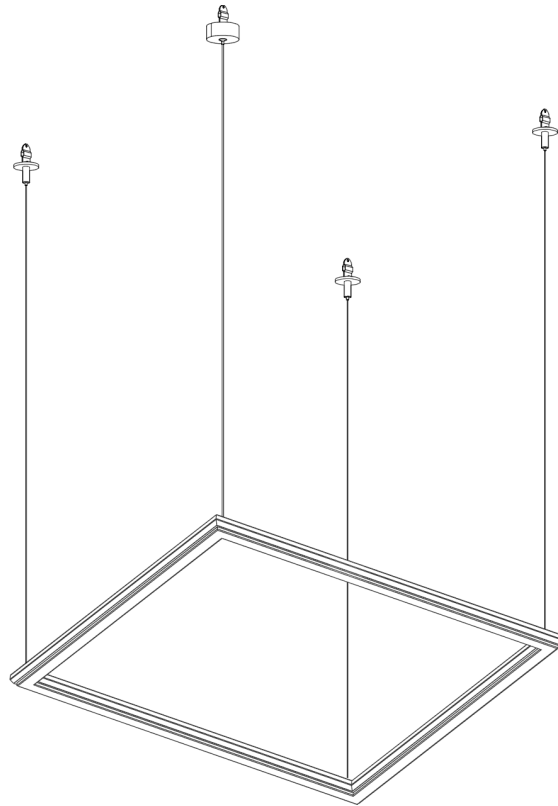
MICRO PANEL

MOUNTING OPTIONS

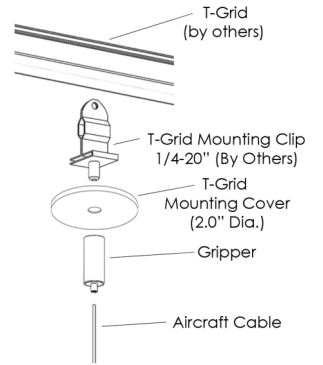
CTx - Canopy T-Grid



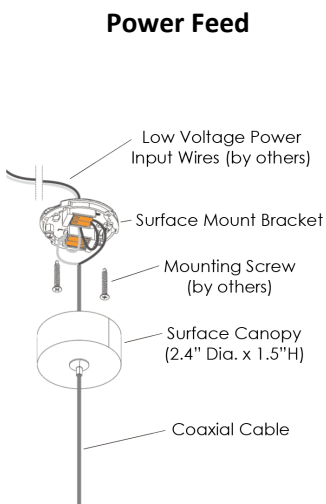
**REQUIRES
HYPERDRIVE**



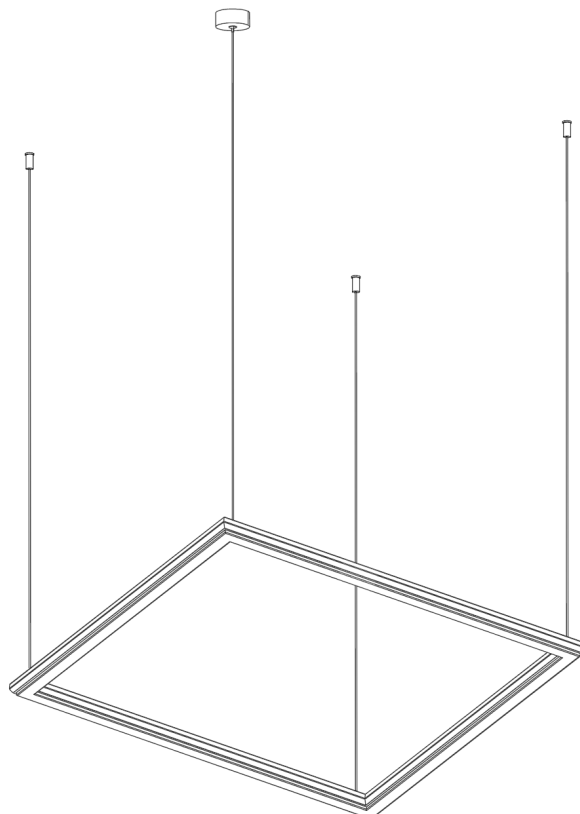
Non-Feed



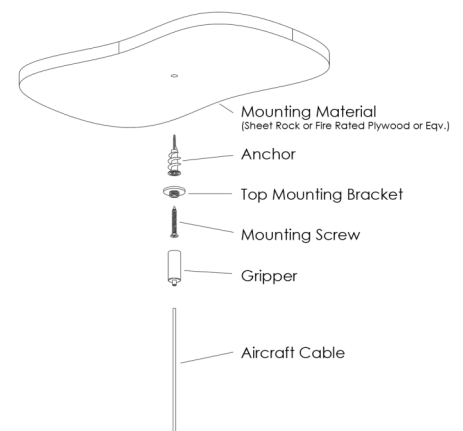
CSx - Canopy Surface



**REQUIRES
HYPERDRIVE**



Non-Feed

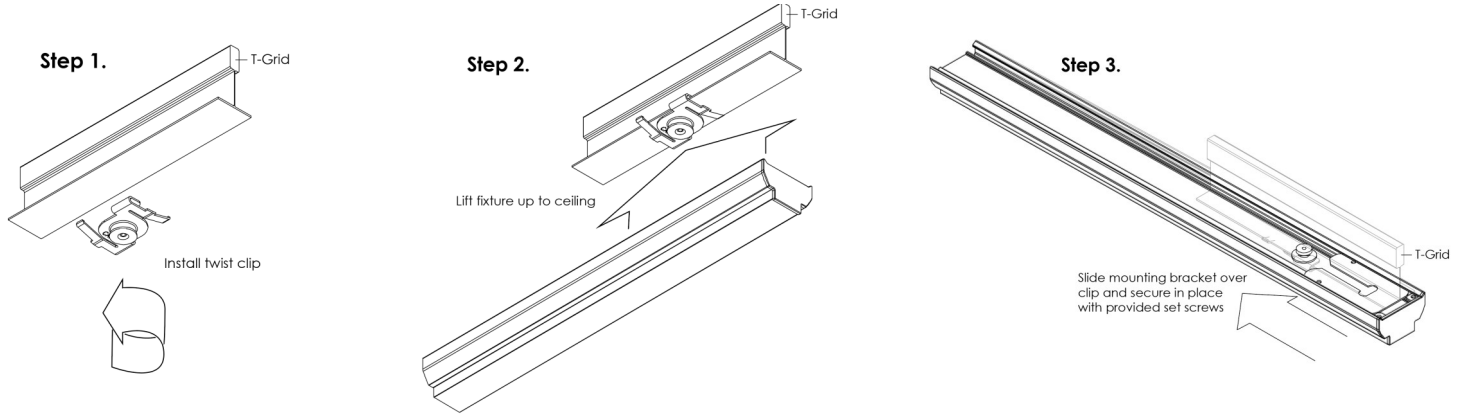


MICRO PANEL

MOUNTING OPTIONS

TBx - T-Grid

Twist Clip Mount



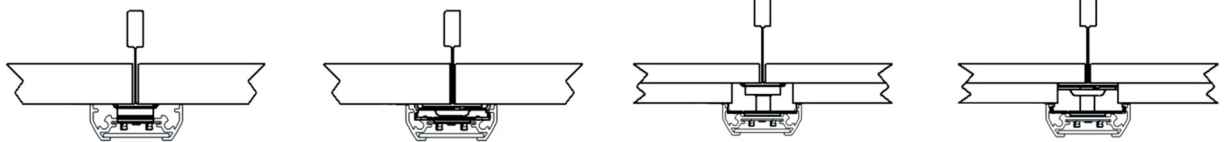
TB1
(9/16" T-Bar Flush)

TB2
(15/16" T-Bar Flush)

TB3
(9/16" T-Bar Tegalur)

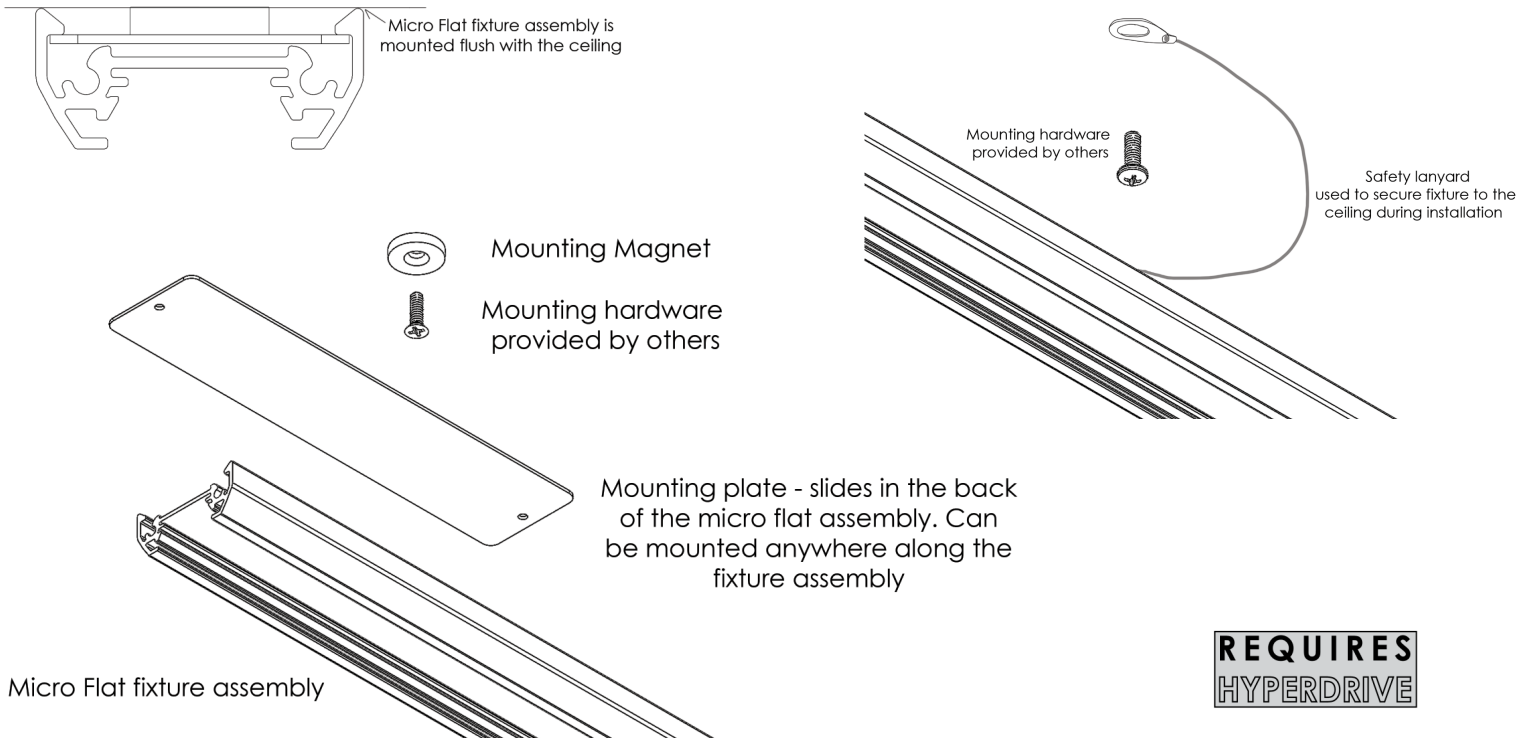
TB4
(15/16" T-Bar Tegalur)

**REQUIRES
HYPERDRIVE**

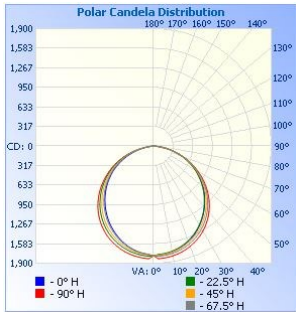


MOUNTING OPTIONS

SMM= Surface Mount Magnet



MPANL-X-1000-XX (80+ CRI)



Model	Lumens	Watts	LPW
MPANL-2-4000-SD-30K	4000	36	110
MPANL-2-4000-SD-35K	4000	34	118
MPANL-2-4000-SD-40K	4000	33	120
MPANL-2-4000-SD-50K	4000	32	122

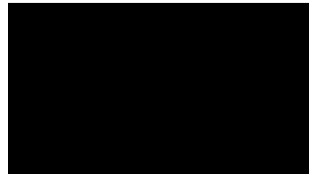
Model	Lumens	Watts	LPW
MPANL-4-8000-SD-30K	8000	70	114
MPANL-4-8000-SD-35K	8000	65	122
MPANL-4-8000-SD-40K	8000	64	124
MPANL-4-8000-SD-50K	8000	63	126

FINISHES

STANDARD FIXTURE FINISHES



SATIN WHITE



SATIN BLACK

SPECIFICATIONS

Housing

Housing of continuous extruded 6063 T5 aluminum.

Color

Colors for the housing are available in a powder coated white and black. Consult factory for custom colors.

Luminaire Size

2' x 2', or 4' x 2' sizes are available.

Source

Lumen packages are available in five color temperature options (2700K, 3000K, 3500K, 4000K and 5000K) — all within 3 MacAdam ellipses.

Certification

Intertek cETLus Listed. RoHS (Restriction of Hazardous Substances) and Buy American Act compliant.

Battery

Lithium battery providing up to 780lm(6W) or up to 1300lm(10W) for 90 minutes. UL924 listed. Class 2 compliant. Meets Title 20 CEC (California Energy Commission) efficiency standards. Requires Hyperdrive medium or large as well as Test/ Status switch is located on "HyperDrive"

Environment

Suitable for dry and damp locations.

Operating temp.: -40°C to +50°C
-40°F to +122°F

Dimming Driver

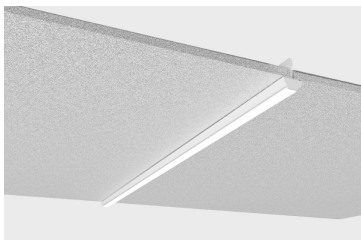
UL listed, class P (0-10V) dimming driver with programmable current for configurable fixture lumen outputs.
2.5 KV overcurrent protection
Power factor >.9

Packaging

Sustainably manufactured outside cardboard box and biodegradable, protective poly-foam luminaire inserts.

COMPANION PRODUCTS

Micro Flat



WARRANTY

5-year limited warranty. Complete warranty terms can be located at:

http://www.starteklightingamerica.com/images/pdf/warranty/Beam_Series_Warranty.pdf

Note: Actual performance may differ as a result of installation environment and final application. All values are design or typical values, measured under laboratory conditions, at 25°C (77°F).