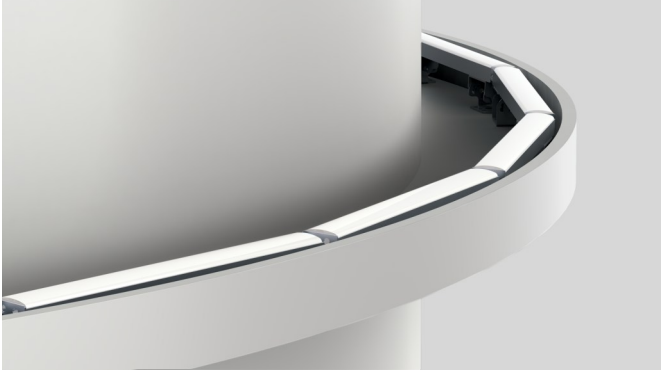
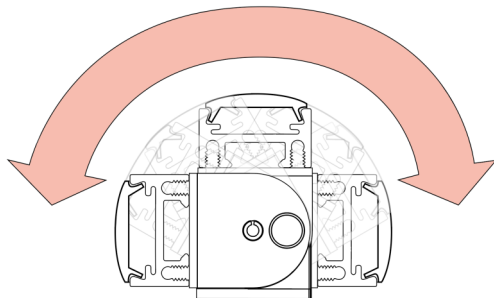


Type:	
Project:	
REP/Agent:	
Order #:	

MICRO COVE CURVE



ADJUSTABLE MOUNT

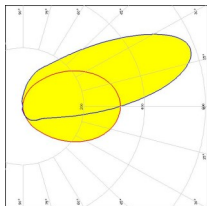


Adjustable Mount give a full 180 degrees of rotation to allow for onsite adjustments

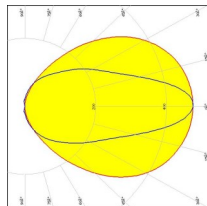
FEATURES

- ★ Standard 1' segments
- ★ Fixture/run length increments down to 1/16"
- ★ Snap-in lens for easy installation
- ★ 3 Step MacAdam ellipse binning
- ★ Efficacy up to 130 lm/W
- ★ Approved for dry and damp locations
- ★ 0-10v dimming is standard
- ★ Dim to 1% of output current is standard
- ★ 90 CRI (R9 50min) available
- ★ CA Title 24 / JA8 installation compatible
- ★ Consult factory for TM21, TM30, LM79 and LM80
- ★ L70 > 50,000 hours
- ★ Class 2 input for luminaire
- ★ Three power choices of Hyperdrive remote power system

DISTRIBUTION

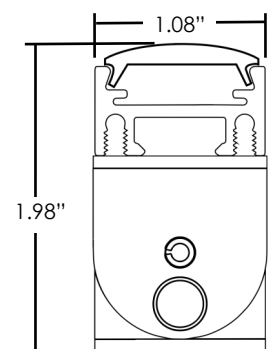
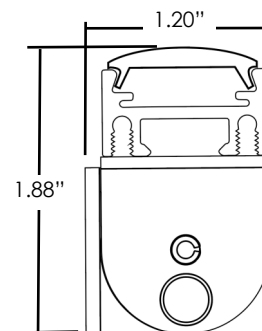


A2= Asymmetric 20 degree Lens



W9= 90 degree Lens

DIMENSIONS



Type:	
Project:	
REP/Agent:	
Order #:	

MICRO COVE CURVE

MCOVEC					
SERIES	LENGTH	LUMENS PER FOOT	DISTRIBUTION	CCT	CRI
MCOVEC	2= 2' Length	350= 350 LPF	W90= 90 degree Lens	27K= 2700K	80= 80
	3= 3' Length	500= 500 LPF	A20= Asymmetric 20 degree Lens	30K= 3000K	90= 90 (R9 50 min)
	4= 4' Length	750= 750 LPF		35K= 3500K	
	6= 6' Length	1000= 1000 LPF		40K= 4000K	
	8= 8' Length	XXX= Custom LPF		50K= 5000K	
	XX= Run Length			TW= Tunable White ¹ (2700-6500K)	

¹Tunable White Driver must be specified

FINISH	MOUNTING STYLE	ELECTRICAL
STANDARD NF= No Finish PW= Powder Coat White PB= Powder Coat Black	A= Adjustable	1C= Single Circuit

REMOTE OPTIONS	HYPERDRIVE CIRCUIT
Ex= EM Battery designated fixture (Ordered with Hyperdrive) Replace X with battery Qty.	HDxx= HyperDrive Circuit Not required for the Powered Canopy configuration

EXAMPLE: MCOVEC-20-500-A2-35K-80-NF-A-1C-HD01

Type:	
Project:	
REP/Agent:	
Order #:	

HYPER DRIVE REMOTE POWER SYSTEM

HYPD				
SERIES	SIZE / DRIVER QTY	EMERGENCY BATTERY (OPTIONAL)	MOUNTING	FINISH
HYPD	<p>Replace x with driver quantity</p> <p>Sx= Small- up to two drivers (190W)</p> <p>Mx= Medium- up to four drivers (300W)</p> <p>Lx= Large- up to eight drivers (600W)</p>	<p>Replace # with battery quantity</p> <p>NB= No Emergency Battery</p> <p>#EMB6= 6W EM Battery (Bodine)</p> <p>#EMB10= 10W EM Battery (Bodine)</p> <p>#FCEMB10= 10W EM Battery (Factory Choice)</p> <p>Note: Batteries are only available in Medium and Large enclosures. Each emergency battery reduces the driver quantity of the Hyper Drive.</p>	<p>S= Surface/ Strut</p> <p>R= Recessed</p>	<p>STANDARD</p> <p>PW= Powder Coat White</p> <p>PB= Powder Coat Black</p> <p>PREMIUM</p> <p>RALxxxx= Power Coat</p> <p>RAL xxxx (Gloss Finish)</p>

VOLTAGE	OPTIONS	HYPERDRIVE CIRCUIT
U= 120-277	<p>SPECIALTY DRIVERS (Standard driver is 0-10V, dim to 1% output current)</p> <p>DT1= eldoLED EcoDrive Dim to 1% (0-10V)</p> <p>DTZ= eldoLED SoloDrive Dim to 0.1% (0-10V)</p> <p>PSRD= Signify Sensor Ready (DALI) Driver</p> <p>LDE1= Lutron Hi-Lume EcoSystem LED driver w/ Soft-on, Fade-to-Black</p> <p>Consult factory for additional driver options</p> <p>Note: Specialty driver options are not available with the small power-box option, with the exception of TW-A</p> <p>SENSORS</p> <p>Consult factory for options</p> <p>OTHERS</p> <p>CP= Chicago Plenum (CCEA)</p>	<p>HDxx= HyperDrive Circuit</p>

EXAMPLE: HYPD-L8-R-PW-DTZ-HD01

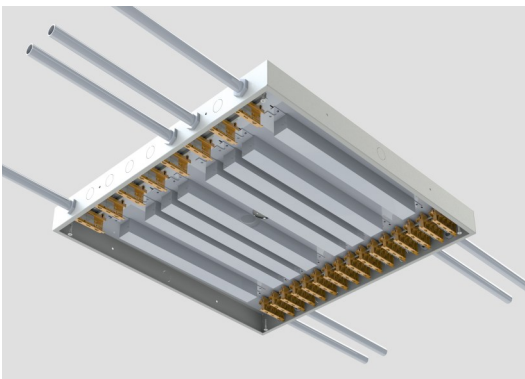
NOTES & LIMITATIONS

One driver is required per direct only fixture (8' max length)

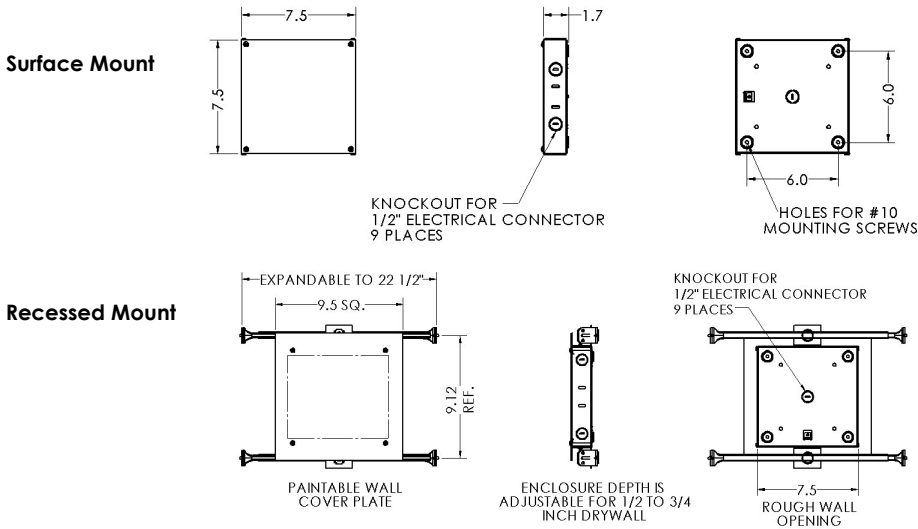
Consult factory for custom configurations and drivers not listed.

L8 configuration shown (shown with front cover removed)

Each driver is provided with a terminal block on both input and output side for ease of wiring and installation.

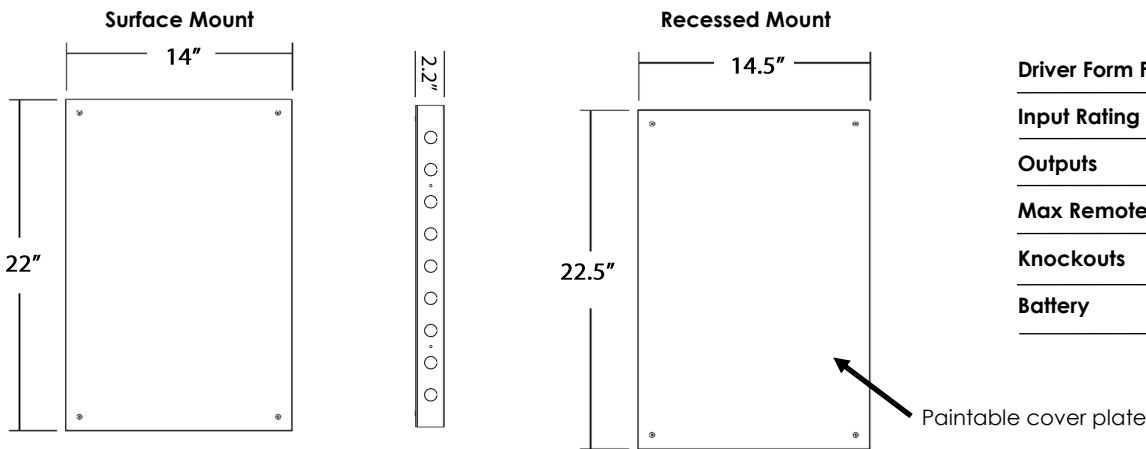


Sx (Small Hyper Drive Remote Canopy)



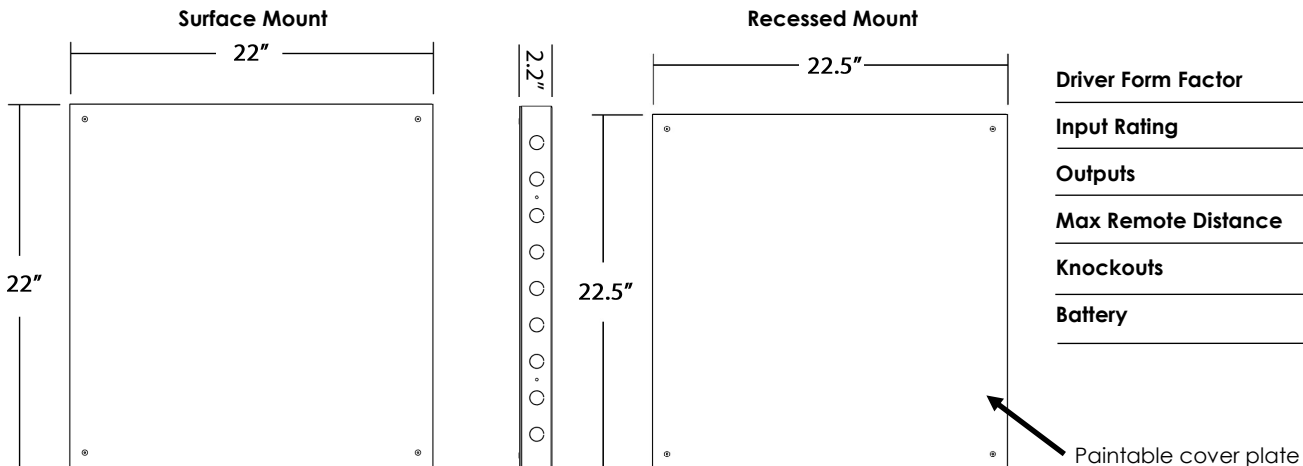
Driver Form Factor	Compact
Input Rating	120-277V
Outputs	Up to 2 (190W max)
Max Remote Distance	Up to 100' (30.5m)
Knockouts	(9) 1/2"
Battery	Not Available

Mx (Medium Hyper Drive Remote Canopy)



Driver Form Factor	Linear
Input Rating	120-277V
Outputs	Up to 4 (300W max)
Max Remote Distance	Up to 100' (30.5m)
Knockouts	(12) 1/2"
Battery	Available

Lx (Large Hyper Drive Remote Canopy)



Driver Form Factor	Linear
Input Rating	120-277V
Outputs	Up to 8 (600W max)
Max Remote Distance	Up to 100' (30.5m)
Knockouts	(20) 1/2"
Battery	Available

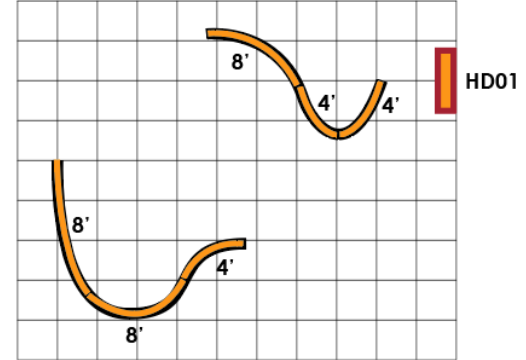
MICRO COVE CURVE

Use the order guide to create your BOM for your configuration.
 Submit the worksheet along with your order.

#1 Example Bill of Materials

Qty.	Type	
3	MCOVEC-8-500-A2-35K-80-PW-A-HD01	
3	MCOVEC-4-500-A2-35K-80-PW-A-HD01	
1	HYPD-L6-NB-R-PW-DTZ-HD01	

#1 Example Configuration

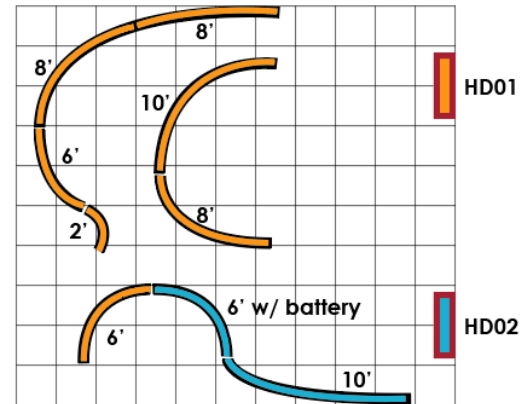


Note: Low Voltage Power transfer wire between fixture and HyperDrive remote power system provided by others.

#2 Example Bill of Materials

Qty.	Type	
3	MCOVEC-8-500-A2-35K-80-PW-A-HD01	
2	MCOVEC-6-500-A2-35K-80-PW-A-HD01	
1	MCOVEC-2-500-A2-35K-80-PW-A-HD01	
1	MCOVEC-10-500-A2-35K-80-PW-A-HD01	
1	MCOVEC-6-500-A2-35K-80-PW-A-E1-HD02	
1	MCOVEC-10-500-A2-35K-80-PW-A-HD02	
1	HYPD-L8-NB-R-PW-DTZ-HD01	
1	HYPD-M3-1EMB6-R-PW-DTZ-HD02	

#2 Example Configuration



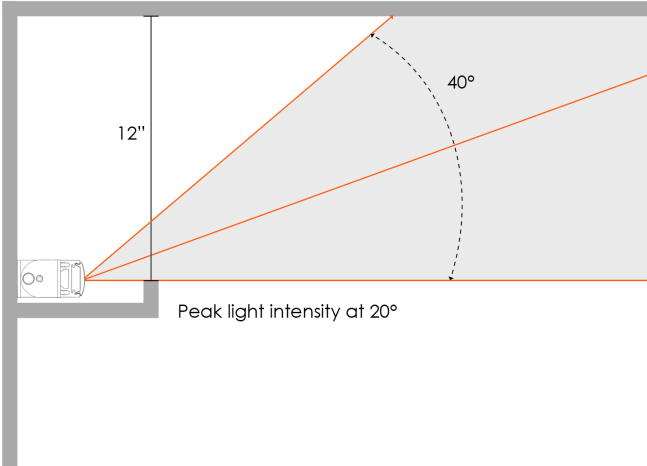
Note: Low Voltage Power transfer wire between fixture and HyperDrive remote power system provided by others.

Cove Application layout

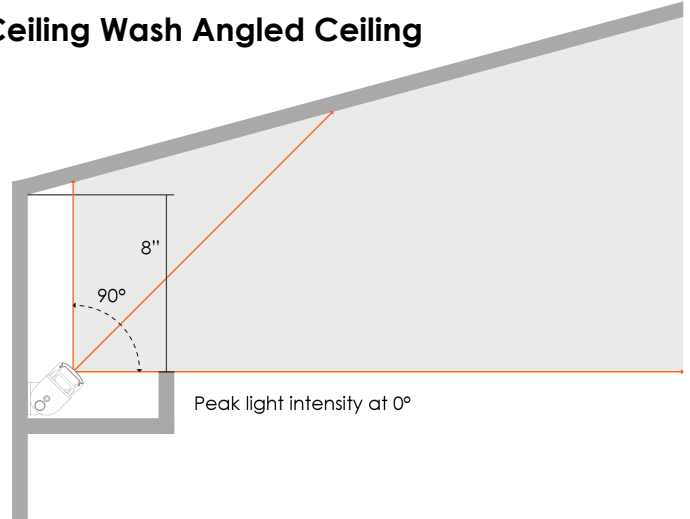
Mounting Options

Dimensions shown are StarTek recommendations. With the rotational mount and optic options, the micro cove can fit many different applications.

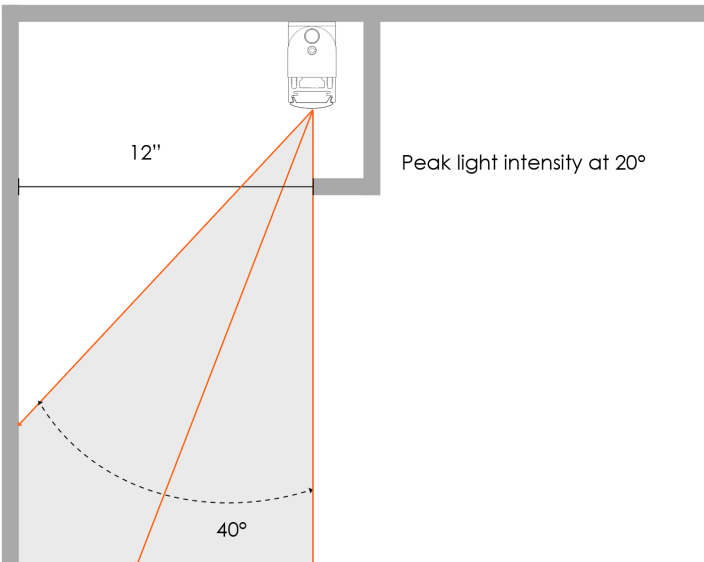
Ceiling Wash Flat Ceiling



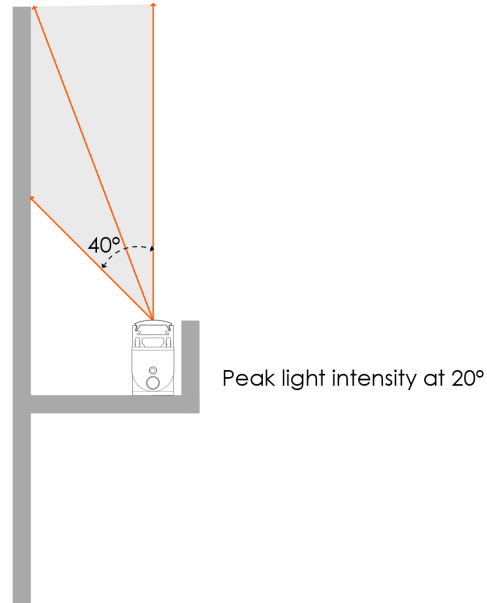
Ceiling Wash Angled Ceiling



Wall Wash From Ceiling

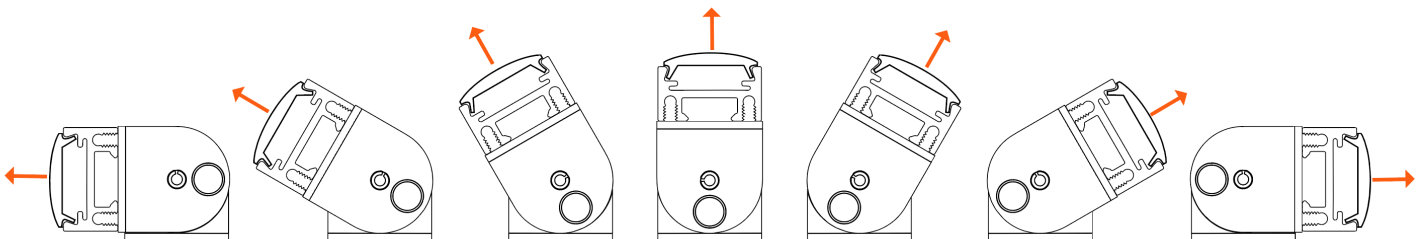


Wall Wash From Below



Adjustable Mount

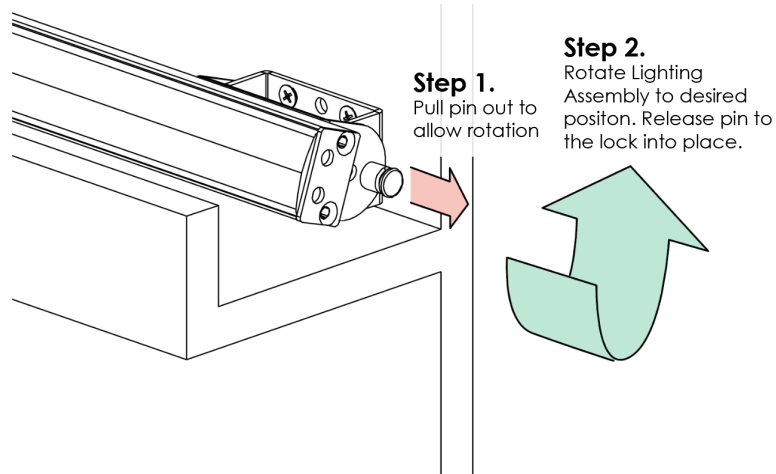
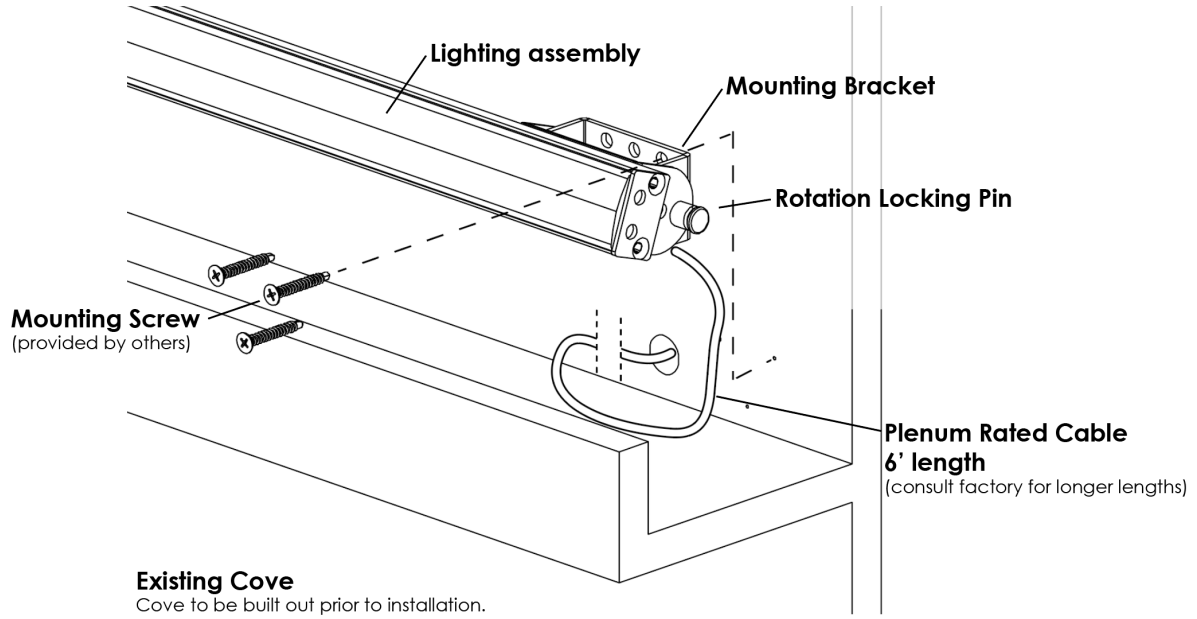
With the rotational mount Position and angle can be adjusted onsite to point the light in the direction intended.



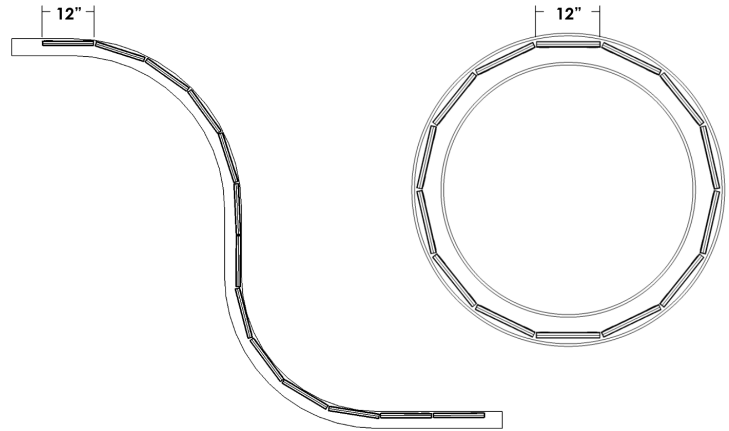
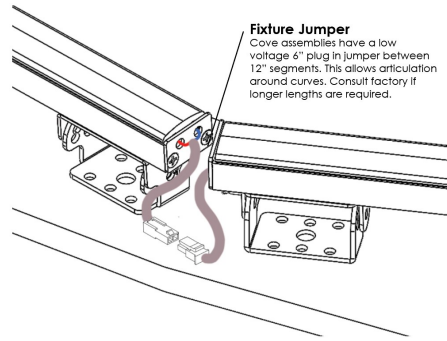
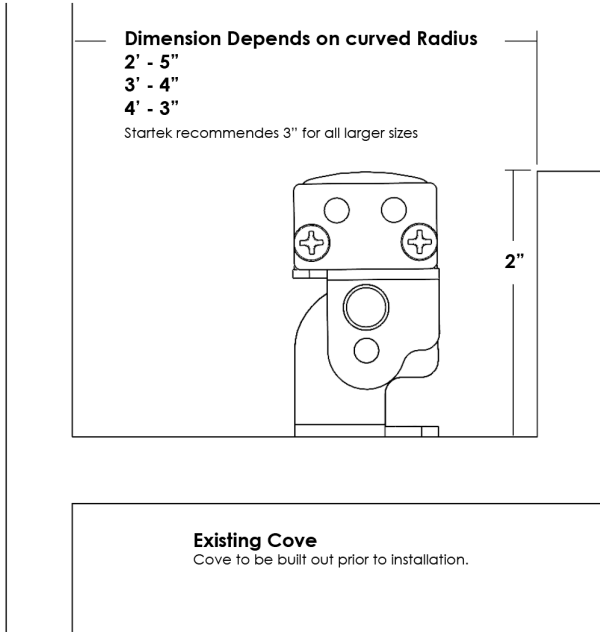
MICRO COVE CURVE

Mounting Details

Simple mounting, designed to be installed into existing (pre-built) cove. Easy to adjust the light with a simple pull pin.
Light can be adjusted to point in any direction



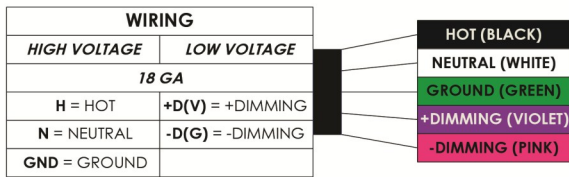
MICRO COVE CURVE



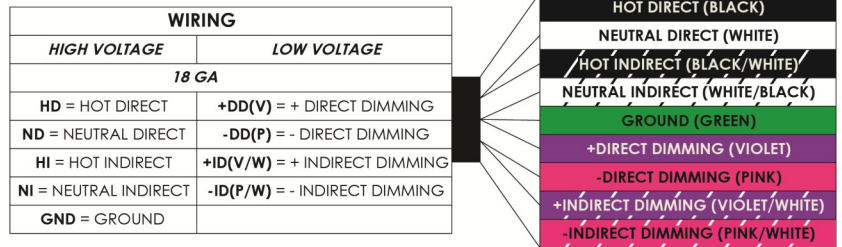
WIRING DIAGRAMS

Wiring configurations are dependent on the options chosen. Below are a few examples of our standard wiring that is used to power the fixture.

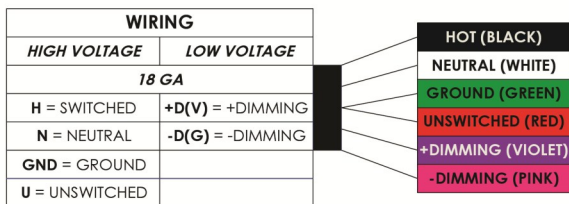
1C



2C



1C-EMB



Consult factory for additional wiring options

MICRO COVE CURVE

SPECIFICATIONS

Housing

Housing of continuous extruded 6063 T5 aluminum.

Luminaire Length

2', 4', 6' or 8' lengths are available for a single stand-alone sections.

Battery

Lithium ion battery providing up to (14W) for 90 minutes. UL924 listed. Class 2 compliant. Meets Title 20 CEC (California Energy Commission) efficiency standards.

Lensing

Snap-in optical grade acrylic lensing with extruded performance distributions.

Source

Five standard lumen packages are available in Five color temperature options (2700K, 3000K, 3500K, 4000K and 5000K) — all within 3 MacAdam ellipses. Also available in tunable white (consult factory for options)

Certification

Intertek cETLus Listed. RoHS (Restriction of Hazardous Substances) and Buy American Act compliant.

Environment

Suitable for dry and damp locations.
Operating temp.: -40°C to +45°C

Dimming Driver

LED drivers allows tunable output currents to achieve infinite configurations of output. UL Class 2 recognized. 0-10v interface can be wired as Class 1 or Class 2 circuit. Included 2.5Kw ring and wave overcurrent protection, isolation of each individual output and a fully potted driver to protect from heat and vibration. Power factor <.93

Packaging

Sustainably manufactured outside cardboard box and biodegradable, protective poly-foam luminaire inserts.

WARRANTY

5-year limited warranty. Complete warranty terms can be located at:

http://www.starteklightingamerica.com/images/pdf/warranty/Cove_Series_Warranty.pdf

Note: Actual performance may differ as a result of installation environment and final application.
All values are design or typical values, measured under laboratory conditions, at 25°C (77°F) .