

INSTALLATION INSTRUCTIONS



THIS PRODUCT MUST BE INSTALLED IN ACCORDANCE WITH THE APPLICABLE INSTALLATION CODE BY A PERSON FAMILIAR WITH THE CONSTRUCTION AND OPERATION OF THE PRODUCT AND THE HAZARDS INVOLVED.
CE PRODUIT DOIT ETRE INSTALLE SELON LE CODE D'INSTALLATION PERTINENT, PAR UNE PERSONNE QUI CONNAIT BIEN LE PRODUIT ET SON FONCTIONNEMENT AINSI QUE LES RISQUES INHERENTS.
DISCONNECT POWER PRIOR TO ANY INSTALLATION.
DEBRANCHEZ LE COURANT AVANT TOUTE INSTALLATION.
CAP ALL WIRING CONNECTIONS WITH UL APPROVED WIRE CONNECTORS.
COUVRIR TOUTES LES CABLES AVE DES CONNECTIONS APPROUVEES (UL).
VERIFY SUPPLY VOLTAGE MEETS LUMINAIRE LABEL SPECIFICATIONS.
VERIFIEZ QUE LA TENSION SOIT COMPATIBLE AVEC LES CARACTERISTIQUES DU LUMINAIRE MARQUE SUR LETIQUETTE.
ALLOW FIXTURE TO COOL BEFORE TOUCHING HEATSINK OR LIGHT SOURCE.
LAISSEZ LE PROJECTEUR REFOIDIR AVANT DE TOUCHER LE RADIATEUR OU LA SOURCE DE LUMIERE.
DO NOT ATTEMPT TO OPEN OR MAKE REPAIRS INSIDE LUMINAIRE.
NE PAS TENTER DOUVIRIR OU DE FAIRE DES REPARATINS A L'INTERIEUR DU LUMINAIRE.
AVOID DIRECT VIEWING OF LIGHT SOURCE.
EVITEZ DE REGARDER DIRECTMENT LA SOURCE LUMINEUSE.
THIS PRODUCT MUST BE INSTALLED BY A QUALIFIED ELECTRICIAN.
CE PRODUIT DOIT ITRE INSTALLE PAR UN ELECTRICIEN QUALIFIE.
SUITABLE FOR DAMP LOCATION.
ADAOTE POUR DES ENDROITS HUMIDES.
MIN 105° C SUPPLY CONDUCTORS.
MIN 105° C ALIMENTATION CONDUCTEURS.

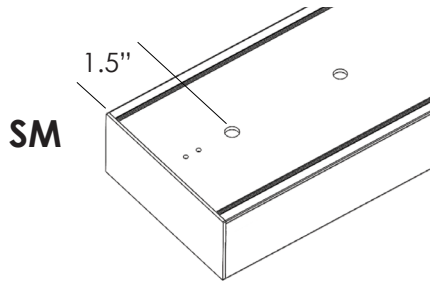
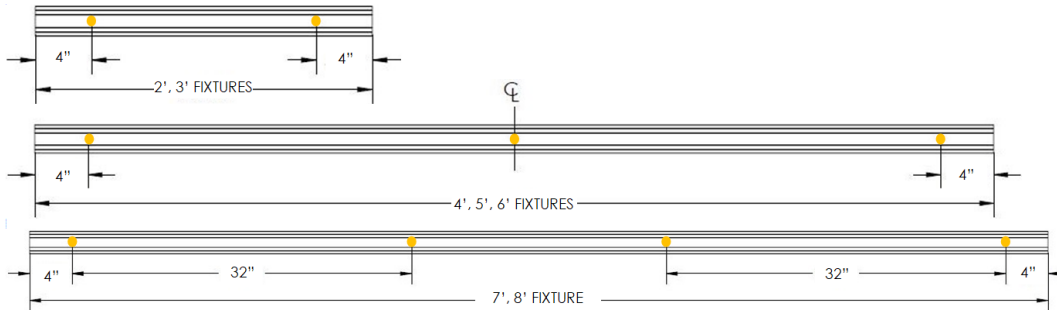


SURFACE MOUNT SHALLOW

INSTALLATION INSTRUCTIONS

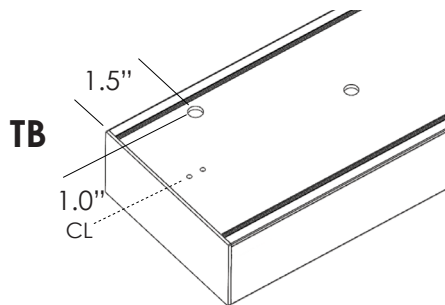
Mounting locations

Mounting locations (●) vary due to length. Views below show top of fixtures and their hole location. For recessed applications, we offer two types of options. A hole in the back of the extruded housing for mounting to structure and extruded wall mount bracket. Both mounting styles require the application of screws into the drywall bezel. Please see below of mounting locations as these vary based on length of the fixture.



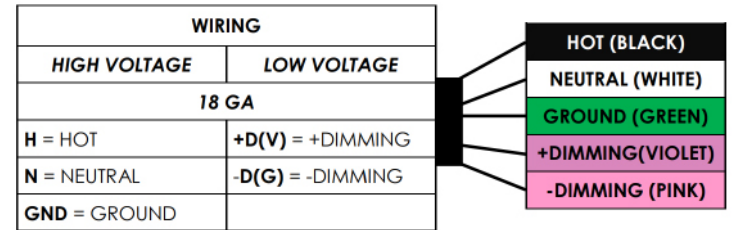
Power location

The standard power location is hole out the top on the fixture. If a different configuration is needed to meet an aesthetic or placement requirement, please consult the factory. Power input location depends on application.

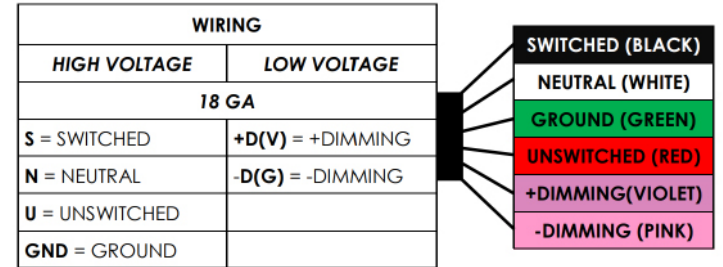


Driver Wiring diagram

Wiring configurations are dependent on the options chosen. Below are a few examples of our standard wiring that is used to power the fixture.



This wiring diagram is showing a standard set of wires for a basic fixture.



This wiring diagram is showing a set of wires for a fixture with a emergency battery.

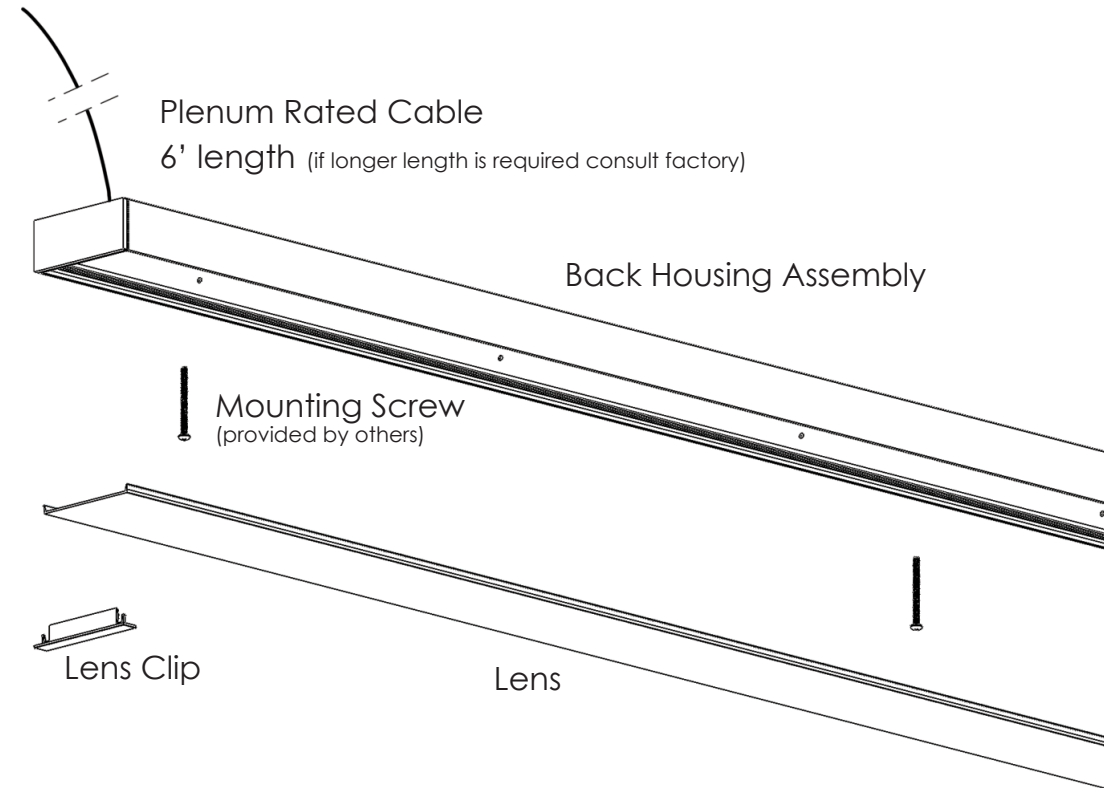
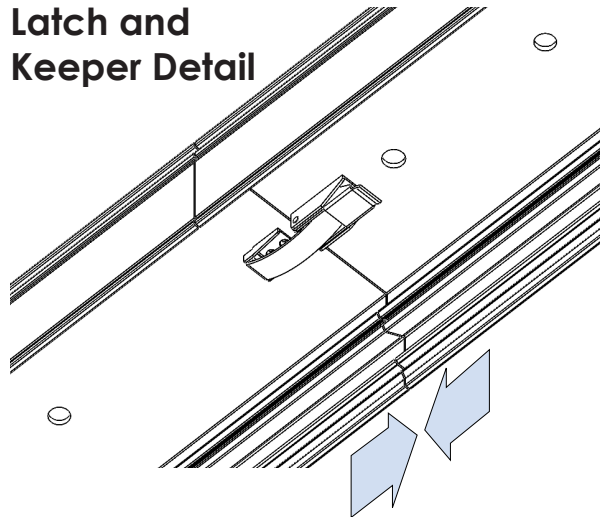
Note: DO NOT PUT LINE VOLTAGE INTO THE PINK AND VIOLET WIRES, THIS CAN DAMAGE THE DRIVER

INSTALLATION INSTRUCTIONS

SM (Surface Mount)

1. Remove fixture from packaging. Check to make sure line voltage is off before making any electrical connections.
2. Install remote driver boxes (location as required) and run the low voltage plenum rated cable to the J-box behind the fixture.
3. Wire driver using the provided wiring diagram (pg. 2).
4. Remove snap-in lens from the fixture assembly by removing the lens clips and then gently prying on the edge of the Lens until it pops out.
5. Place extruded back housing assembly against the mounting surface to mark the mounting locations. Pre-drill as required (structural fasteners provided by others, Min 1/4" x 2" mounted to structure).
6. Insert the low voltage power plug through the hole in the mounting substrate. Plug the two ends together inside a J-Box located behind the mounting substrate.
7. Attach extruded back housing to the structure.
8. Reinstall the Snap-in diffuser then the diffuser retainer clips.
9. Turn the power on. Your fixture is finished being installed.

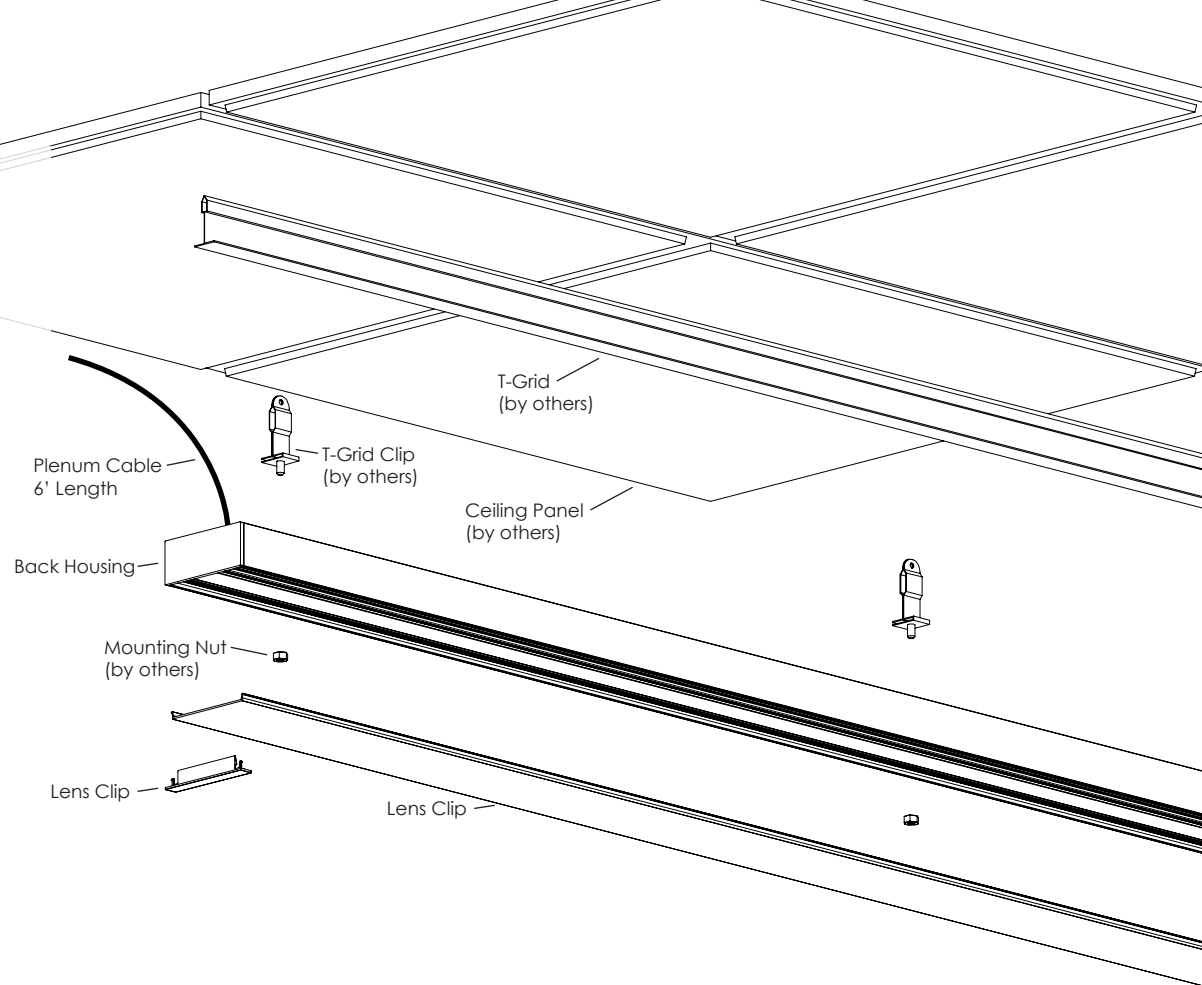
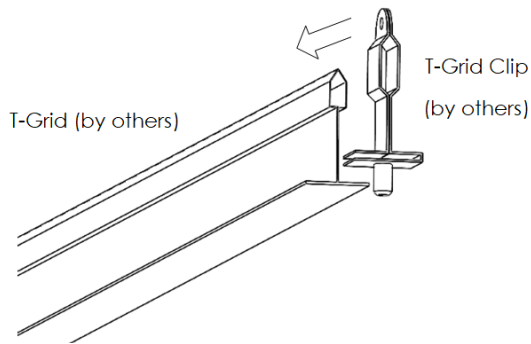
Latch and Keeper Detail



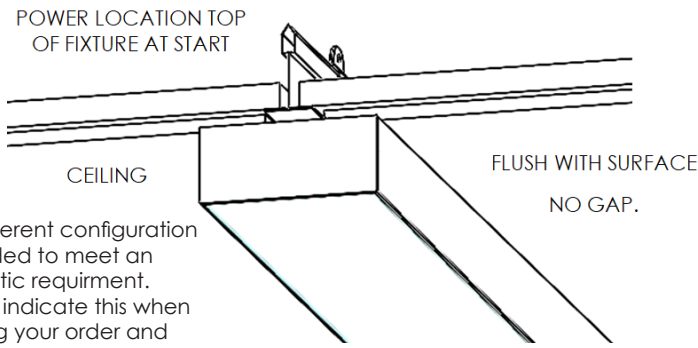
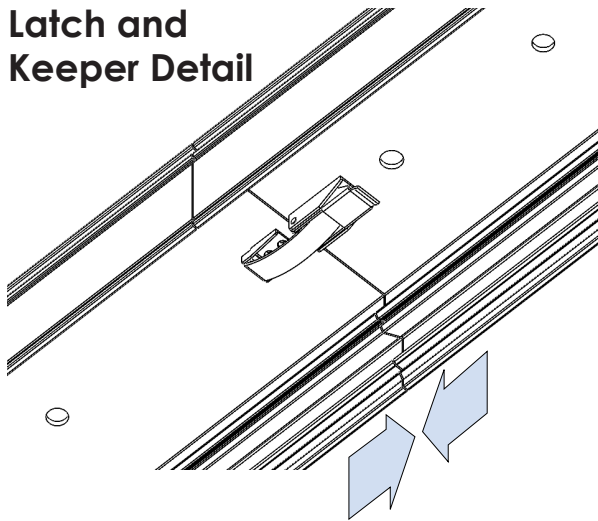
INSTALLATION INSTRUCTIONS

TB (T-Grid Mount)

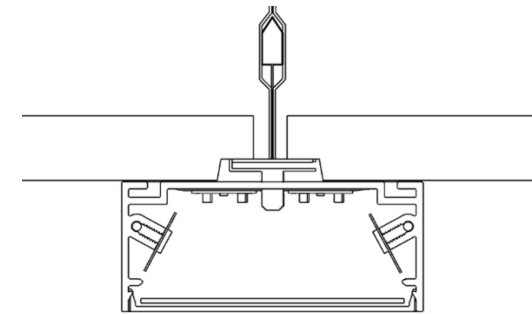
1. Remove fixture from packaging
2. Remove lens clip and then gently pry on the edge of the Lens until it pops out removing the lens.
4. Attach low voltage with plenum rated cable per local building code. One per 8' section. If longer plenum cable is required consult factory for specifications.
5. Install the back extrusion assembly using t-grid clip (provided by others)
6. Insert the lens, then attach lens retainer clips.
7. Reconnect power to turn fixture on. Installation is now complete.



Latch and Keeper Detail



If a different configuration is needed to meet an aesthetic requirement. Please indicate this when placing your order and contact the factory.

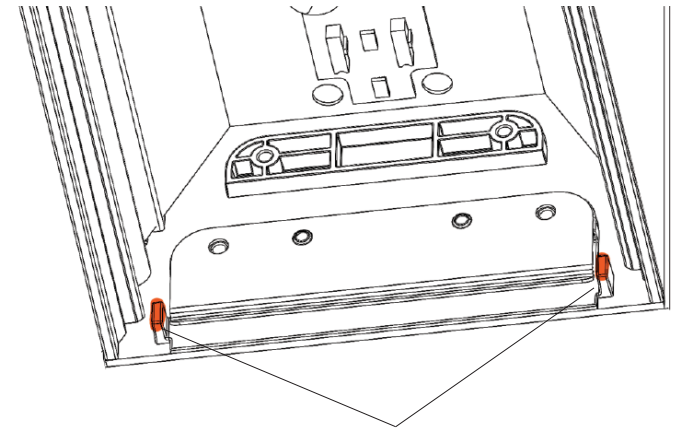
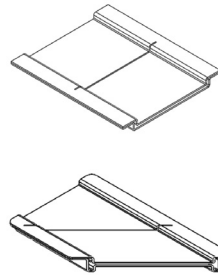
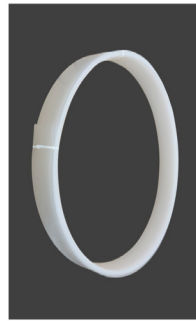


INSTALLATION INSTRUCTIONS

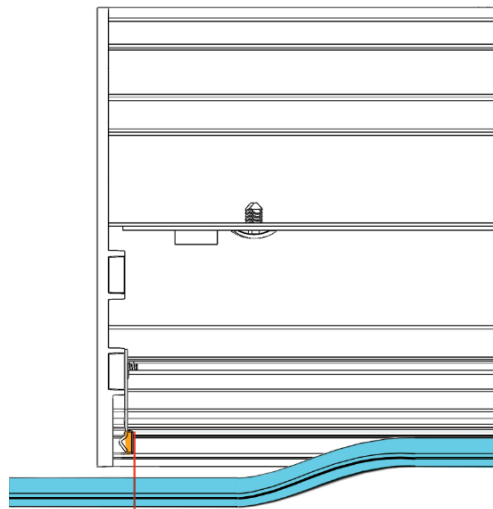
Continuous Lensing

The pendant and surface mount shallow are all provided with a continuous rolled lens for any fixture length over 8'. This provides a superior lens aesthetic by eliminating any light leak throughout the entire length of the fixture. Our proprietary lens material retains no memory, so after the lens is uncoiled, it returns to a completely flat state, making installation effortless. Included with the lens, you will have received a lens cutting guide and a retractable razor. These will be in their own zip-loc bag, so please examine the packaging material of your fixture to ensure this does not get discarded. Please ensure you have all of these items available when beginning these instructions.

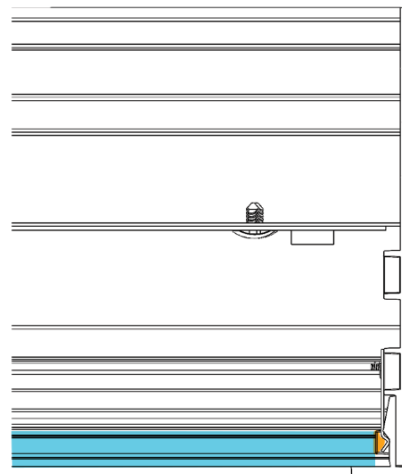
- 1: Start installing the lens into the fixture extrusion ensure that the edge of the lens lines up with the orange print on the inside of the endcap
- 2: Install the lens along the length of the extrusion assembly.
- 3: At the other end of the fixture put the lens over the endcap and mark where the edge of the orange print is. This marks the end of the lens. See illustration for details
- 4: Score the lens 3 times across with a sharp knife and then bend until it breaks at the score line using the lens scoring jig
- 5: install the lens and then install the lens retainer
- 6: Press the lens into place the entire length of the fixture ensuring lens is properly installed. **If the lens does not make full engagement over the entire length of the fixture it can lead to the lens falling out over time**



Line up edge of lens with the orange stamp on the inside of the endcap

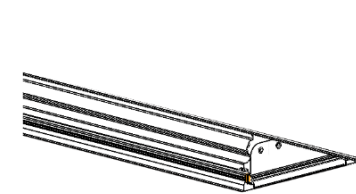


Cut Point

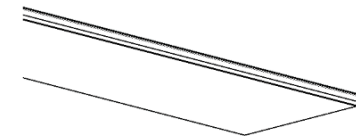


Line edge of lens with orange print on inside of endcap

Ensure lens is behind the Lens Retainer



Fixture extrusion assembly



Lens



Lens Retainer