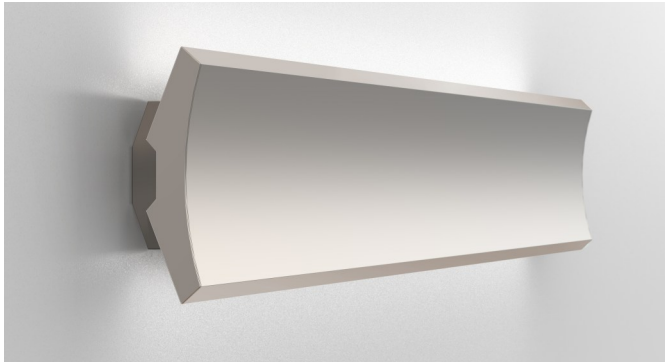
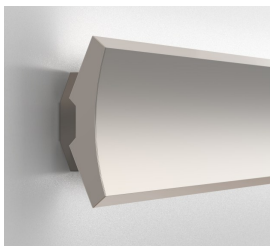


Type:	
Project:	
REP/Agent:	
Order #:	

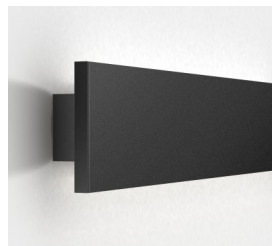
WALL GRAZER DIRECT/INDIRECT



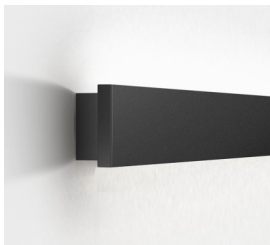
FACE PLATE OPTIONS



CONCAVE

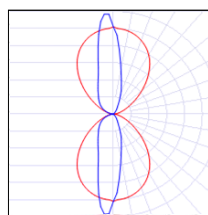


FLAT



MINI FLAT

DISTRIBUTION

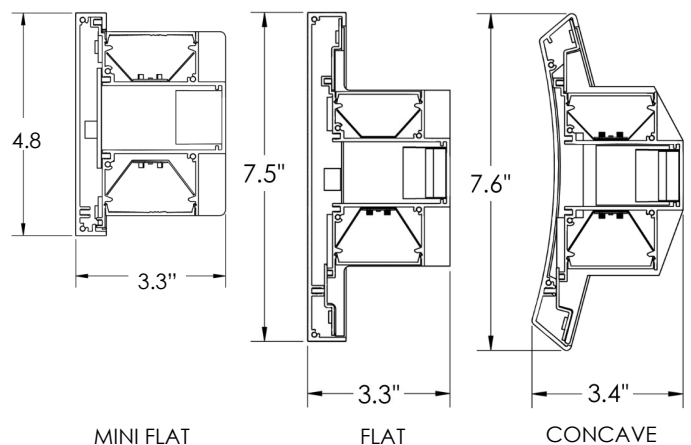


GRZ= Graze

FEATURES

- ★ Standard 2', 4', 6' and 8' units
- ★ Fixture length increments down to 1/16"
- ★ Two piece aluminum extrusion housing
- ★ Snap-in lens for easy installation
- ★ 3 Step MacAdam ellipse binning
- ★ Efficacy up to 121 lm/W
- ★ Soft diffuse indirect lighting
- ★ Approved for dry and damp locations
- ★ 0-10v dimming is standard
- ★ Dim to 1% of output current is standard
- ★ 90 CRI (R9 50min) available
- ★ CA Title 24 / JA8 installation compatible
- ★ Consult factory for TM21, TM30, LM79 and LM80
- ★ L70 > 50,000 hours

DIMENSIONS



Type:	
Project:	
REP/Agent:	
Order #:	

WALL GRAZER DIRECT/INDIRECT

WALLDI						
SERIES	LENGTH	LUMENS/FT (DIRECT)	LUMENS/FT (INDIRECT)	DISTRIBUTION (DIRECT)	DISTRIBUTION (INDIRECT)	CCT
WALLDI	XX= Run Length	350= 350 LPF 500= 500 LPF 750= 750 LPF 1000= 1000 LPF XXX= Custom LPF	350= 350 LPF 500= 500 LPF 750= 750 LPF 1000= 1000 LPF XXX= Custom LPF	GRZ= Graze	GRZ= Graze	27K= 2700K 30K= 3000K 35K= 3500K 40K= 4000K 50K= 5000K TW= Tunable White ¹ (2700-6500K)

CRI	FINISH	MOUNTING	TRIM	VOLTAGE	ELECTRICAL
80= 80 90= 90 <i>(R9 50 min)</i>	STANDARD PW= Powder Coat White PB= Powder Coat Black PS= Powder Coat Silver PREMIUM RALxxx= Powder Coat RAL xxxx (Gloss Finish) PSFx= Prem Stock Finish CUSTOM PO= Powder Other	HWM= Horizontal Wall Mount VWM= Vertical Wall Mount	MF= Mini Flat F = Flat C= Concave	U= 120-277 C= 347	1C= Single Circuit 2C= Separate D/I Circuits <i>(separate control of direct and indirect)</i> MC= Multiple Circuits <i>(multiple switch legs across run length)</i> EC= Emergency Circuit <i>(separate power drops for EC fixtures)</i> GTD= Generator Transfer Device

See pg. 5 for standard and premium options.

OPTIONS	ACCESSORIES (OPTIONAL)
---------	------------------------

SPECIALTY DRIVERS *(Standard driver is 0-10V, dim to 1% output current)*
DT1= eldoLED EcoDrive Dim to 1% (0-10V)
DTZ= eldoLED SoloDrive Dim to 0.1% (0-10V)
PSRD= Philips Sensor Ready (DALI) Driver
LDE1= Lutron Hi-Lume EcoSystem LED driver w/ Soft-on, Fade-to-Black
TW-A= Tunable White, 0-10v²
TW-EL= eldoLED DUALdrive Tunable White (DALI)²
LD2=Lutron DALI 2 Digital Tunable White driver with 1% dimming²

BATTERIES *(“#” indicates quantity)³*
#EMB6= 6W EM Battery (Iota/Bodine)
#EMB10= 10W EM Battery (Iota/Bodine)
#FCEMB10= 10W EM Battery (Factory Choice)
#FCEMB14= 14W EM Battery (Factory Choice)

SENSORS
AWNR= Lutron Athena Wireless Node (RF only)^{4,5}

JUNCTION BOX
HB = Handy Box (4" x 1.5" x 1.25")

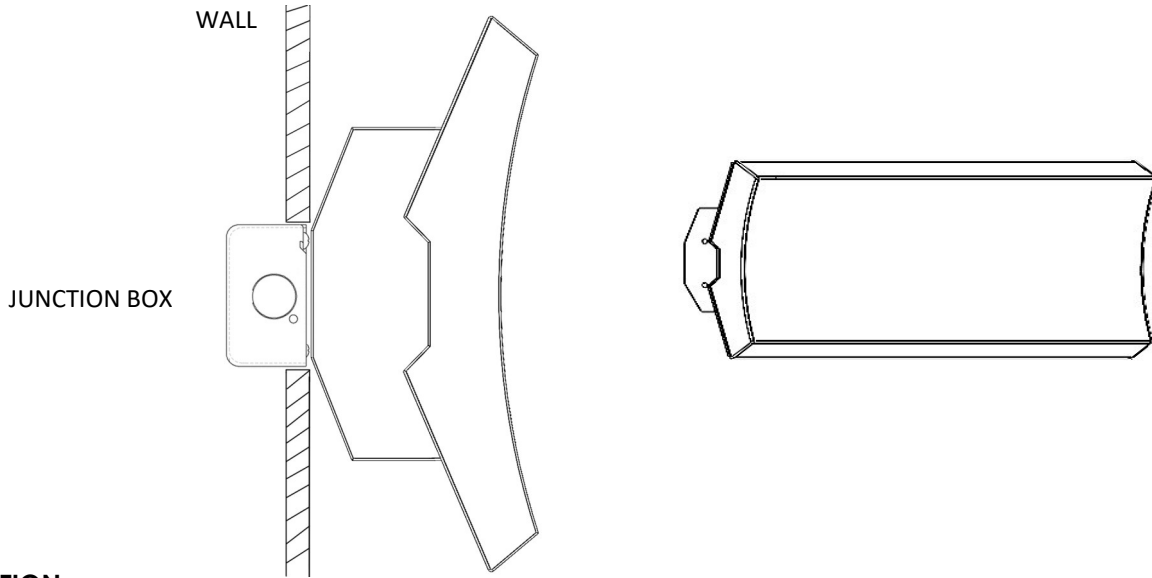
¹ Tunable White Driver must be specified in options
² 75 Watt Max. Dual driver required for higher fixture wattage
³ Emergency battery option not available with 2' fixtures
⁴ DALI-2 Type 8 for tunable white.
⁵ Athena sensor matches finish for white and black fixtures

EXAMPLE: WALLDI-8-500-750-GRZ-GRZ-35K-80-PW-WM-U-1C-1EMB10

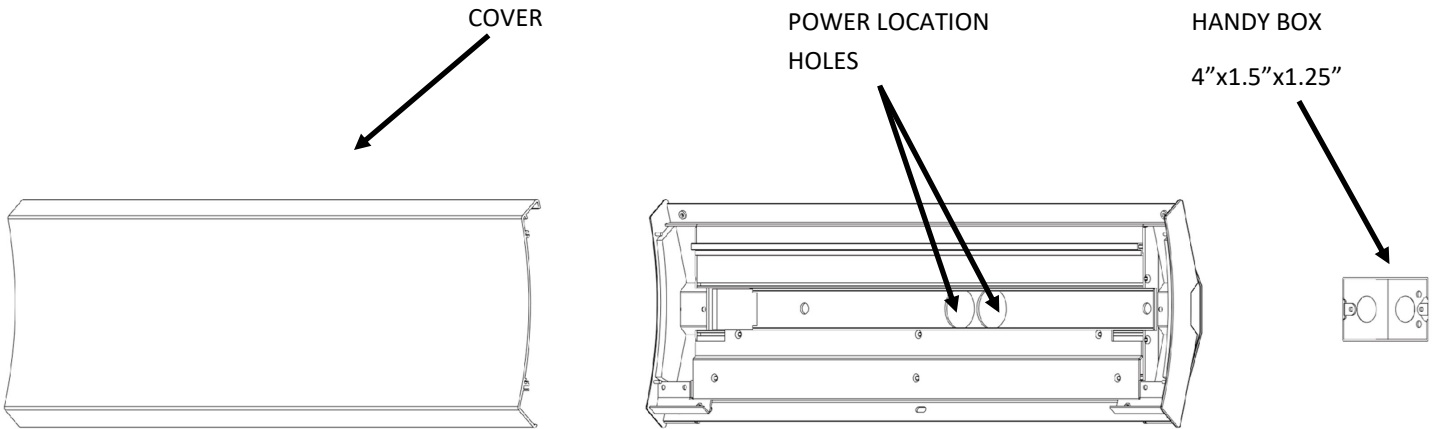
WALL GRAZER DIRECT/INDIRECT

MOUNTING OPTIONS

(x)WM - Wall Mount

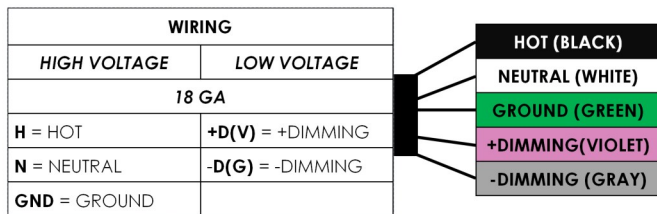


POWER LOCATION

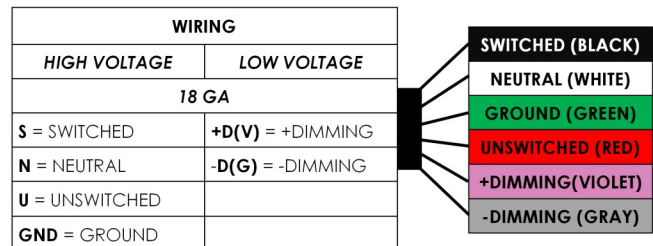


WIRING DIAGRAMS

Wiring configurations are dependent on the options chosen. Below are a few examples of our standard wiring that is used to power the fixture.



This wiring diagram is showing a standard set of wires for a basic fixture.

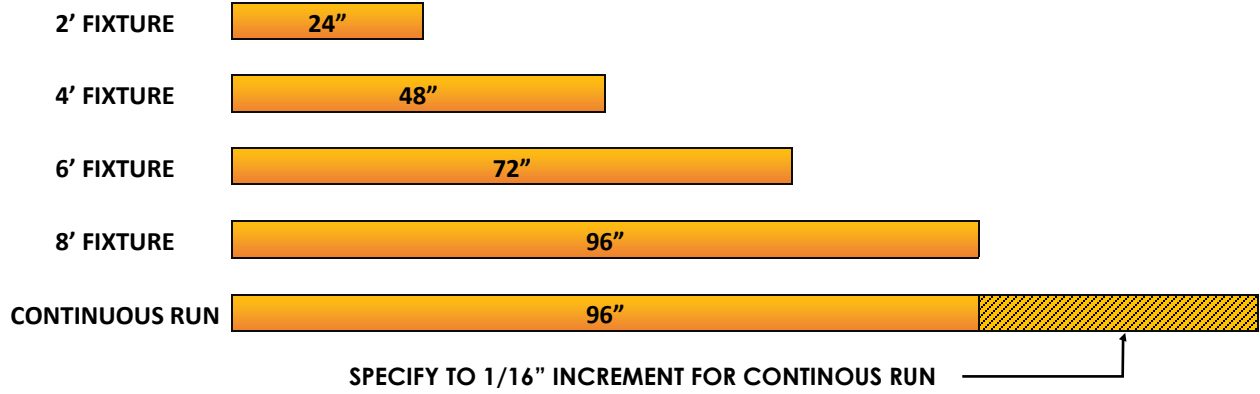


This wiring diagram is showing a set of wires for a fixture with an emergency battery.

WALL GRAZER DIRECT/INDIRECT

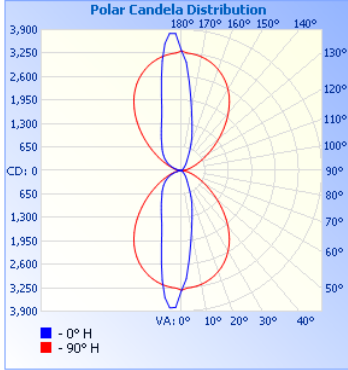
INDIVIDUAL AND CONTINUOUS FIXTURE CONFIGURATION

Individual fixtures are available from 2' to 8'. The standard construction for run lengths is to build with as many 8' fixtures as possible and finish the run with a shorter length fixture if needed. If a different configuration is needed to meet an aesthetic requirement, please indicate this on your P.O. when placing your order.



PERFORMANCE

WALLDI-X-1000-SD (90+ CRI)



Zonal Lumen Summary		
Zone	Lumens	% Luminaire
0-30	1,614.7	22.1%
0-40	2,266.9	31.1%
0-60	3,213.9	44%
60-90	434.6	6%
70-100	213.5	2.9%
90-120	434.6	6%
0-90	3,648.5	50%
90-180	3,647.7	50%
0-180	7,296.2	100%

Model	Lumens	Watts	LPW
WALLDI-4-912-912-GRZ-GRZ-27K-90	7300	85	85
WALLDI-4-912-912-GRZ-GRZ-30K-90	7300	81	89
WALLDI-4-912-912-GRZ-GRZ-35K-90	7300	76	95
WALLDI-4-912-912-GRZ-GRZ-40K-90	7300	76	96
WALLDI-4-912-912-GRZ-GRZ-50K-90	7300	74	98

Model	Lumens	Watts	LPW
WALLDI-8-912-912-GRZ-GRZ-27K-90	14,600	163	89
WALLDI-8-912-912-GRZ-GRZ-30K-90	14,600	154	94
WALLDI-8-912-912-GRZ-GRZ-35K-90	14,600	147	99
WALLDI-8-912-912-GRZ-GRZ-40K-90	14,600	144	101
WALLDI-8-912-912-GRZ-GRZ-50K-90	14,600	143	102

Luminance Data (cd/sg.m)			
Angle in Degrees	Average 0-DEG	Average 45-Deg	Average 90-Deg
45	941	3617	39689
55	351	748	29825
65	424	480	20998
75	617	682	15006
85	1587	1732	12853

Candela Distribution					
	0	22.5	45	67.5	90
0	3315	3315	3315	3315	3315
5	2461	2362	2544	2867	3249
10	1619	1584	1855	2417	3199
15	1122	1127	1371	1981	3108
20	762	793	1040	1607	2974
25	426	479	777	1303	2803
30	278	301	529	1063	2582
35	186	203	344	857	2315
40	98	118	231	680	2002
45	39	51	152	512	1664
50	13	12	78	371	1328
55	12	11	25	245	1014
60	11	10	13	155	748
65	11	9	12	79	526
70	10	9	11	27	358
75	9	8	10	22	230
80	9	8	10	19	135
85	8	7	9	17	66
90	8	6	8	15	25

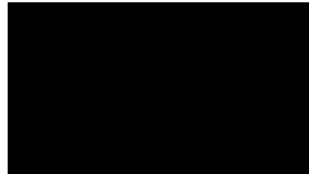
WALL GRAZER DIRECT/INDIRECT

FINISHES

STANDARD FINISHES



WHITE MINI TEXTURE



BLACK MINI TEXTURE

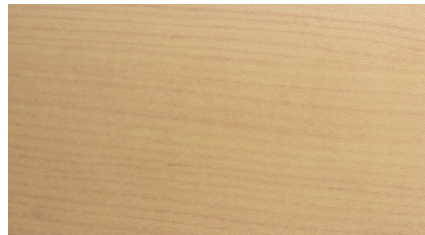


SILVER SPARKLE TEXTURE

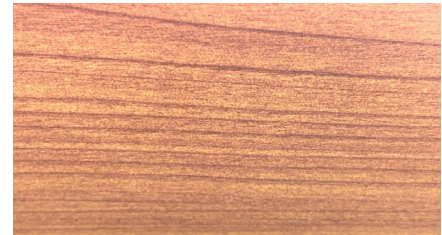
PREMIUM STOCK FINISHES



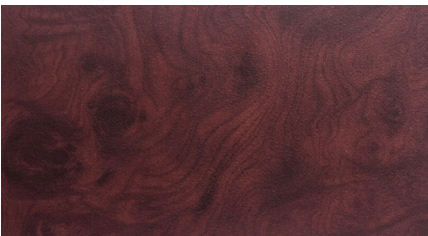
PSF001 (WOOD#1)



PSF002 (WOOD#2)



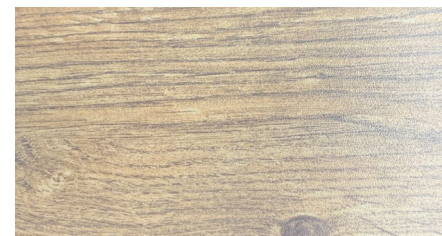
PSF003 (WOOD#3)



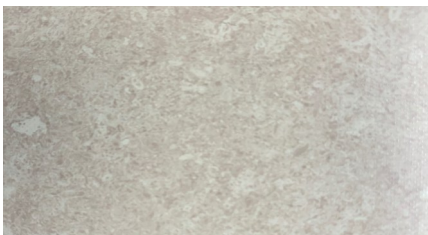
PSF004 (WOOD#4)



PSF005 (WOOD#5)



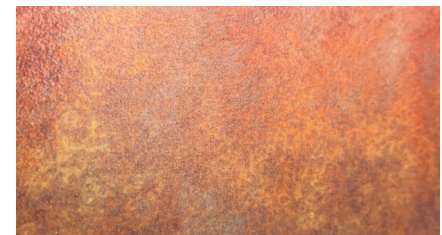
PSF006 (WOOD#6)



PSF007 (STONE #1)



PSF008 (STONE #2)



PSF009 (METAL #1)

NOTE: A minimal impact to lead times will apply to products specified with Premium Stock Finishes (PSF). It is not to be assumed that these finishes are stocked in our warehouse, but rather, are readily available to us for your project.

All other custom finishes (PO) will incur a set up fee and will add an extended lead time to your project.

WALL GRAZER DIRECT/INDIRECT

SPECIFICATIONS

Housing

Nominal 7.6" X 3.4" (Concave), 7.5" X 3.3" (Flat), and 4.8" x 3.3" (Mini Flat) housings of continuous extruded 6063 T5 aluminum.

Luminaire Length

2', 4', 6' or 8' lengths are available for a single stand-alone section. Using internal joiners, sections can be joined to form longer rows.

Battery

Lithium ion battery providing up to (14W) for 90 minutes. UL924 listed. Class 2 compliant. Meets Title 20 CEC (California Energy Commission) efficiency standards.

Lensing

Snap-in .060" thick acrylic lensing with impact modifier

Source

Five color temperature options (2700K, 3000K, 3500K, 4000K and 5000K) — all within 3 MacAdam ellipses.

Certification

Intertek cETLus Listed. RoHS (Restriction of Hazardous Substances) and Buy American Act compliant.

Environment

Suitable for dry and damp locations.
Operating temp.: -40°C to +45°C

Dimming Driver

LED driver allows tunable output currents to achieve infinite configurations of output. UL Class 2 recognized. 0-10v interface can be wired as Class 1 or Class 2 circuit. Included 2.5Kw ring and wave overcurrent protection, isolation of each individual output and a fully potted driver to protect from heat and vibration. Power factor <.93

Packaging

Sustainably manufactured outside cardboard box and biodegradable, protective poly-foam luminaire inserts.

WARRANTY

5-year limited warranty. Complete warranty terms can be located at:

http://www.starteklightingamerica.com/images/pdf/warranty/Beam_Series_Warranty.pdf

Note: Actual performance may differ as a result of installation environment and final application. All values are design or typical values, measured under laboratory conditions, at 25°C (77°F) .