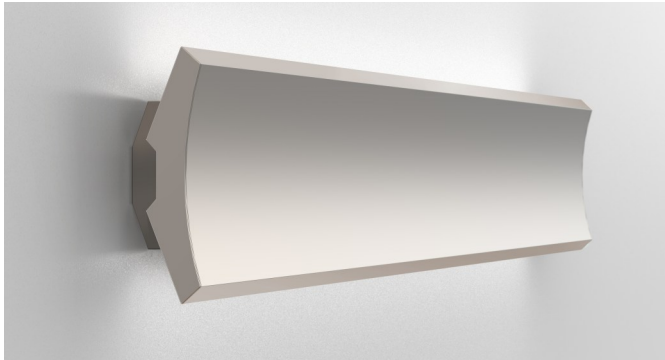
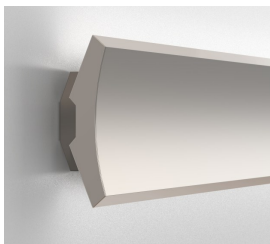


Type:	
Project:	
REP/Agent:	
Order #:	

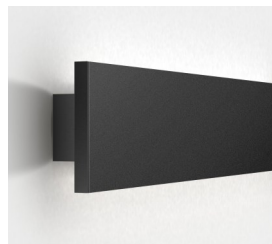
WALL GRAZER INDIRECT



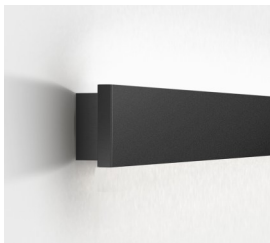
FACE PLATE OPTIONS



CONCAVE

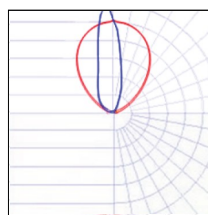


FLAT



MINI FLAT

DISTRIBUTION

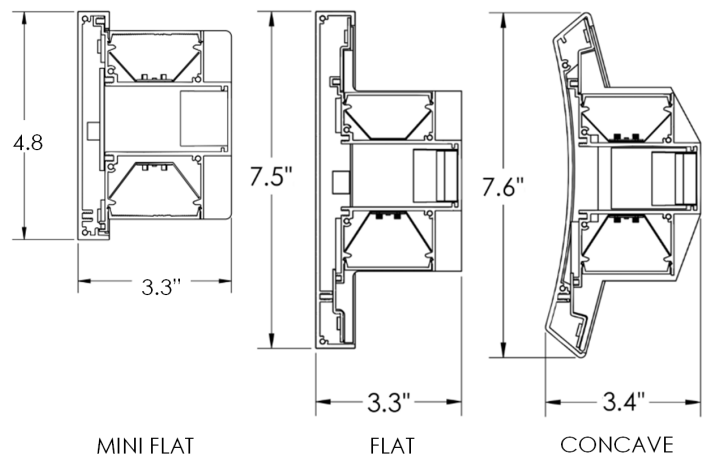


GRZ= Graze

FEATURES

- ★ Standard 2', 4', 6' and 8' units
- ★ Fixture length increments down to 1/16"
- ★ Two piece aluminum extrusion housing
- ★ Snap-in lens for easy installation
- ★ 3 Step MacAdam ellipse binning
- ★ Efficacy up to 121 lm/W
- ★ Soft diffuse indirect lighting
- ★ Approved for dry and damp locations
- ★ 0-10v dimming is standard
- ★ Dim to 1% of output current is standard
- ★ 90 CRI (R9 50min) available
- ★ CA Title 24 / JA8 installation compatible
- ★ (Consult factory for TM21, TM30, LM79 and LM80.)
- ★ L70 > 50,000 hours

DIMENSIONS



Type:	
Project:	
REP/Agent:	
Order #:	

WALL GRAZER INDIRECT

WALLI				
SERIES	LENGTH	LUMENS/FT	DISTRIBUTION	CCT
WALLI	XX= Run Length	350= 350 LPF 500= 500 LPF 750= 750 LPF 1000= 1000 LPF XXX= Custom LPF	GRZ= Graze	27K= 2700K 30K= 3000K 35K= 3500K 40K= 4000K 50K= 5000K TW= Tunable White ¹ (2700-6500K)

CRI	FINISH	MOUNTING	TRIM	VOLTAGE	ELECTRICAL
80= 80 90= 90 <small>(R9 50 min)</small>	STANDARD PW= Powder Coat White PB= Powder Coat Black PS= Powder Coat Silver PREMIUM RALxxxx= Powder Coat RAL xxxx (Gloss Finish) PSFx= Prem Stock Finish See pg. 5 for standard and premium options. CUSTOM PO= Powder Other	HWM= Horizontal Wall Mount VWM= Vertical Wall Mount	MF= Mini Flat F = Flat C= Concave	U= 120-277 C= 347	1C= Single Circuit MC= Multiple Circuits <small>(multiple switch legs across run length)</small> EC= Emergency Circuit <small>(separate power drops for EC fixtures)</small> GTD= Generator Transfer Device

OPTIONS	ACCESSORIES (OPTIONAL)
---------	------------------------

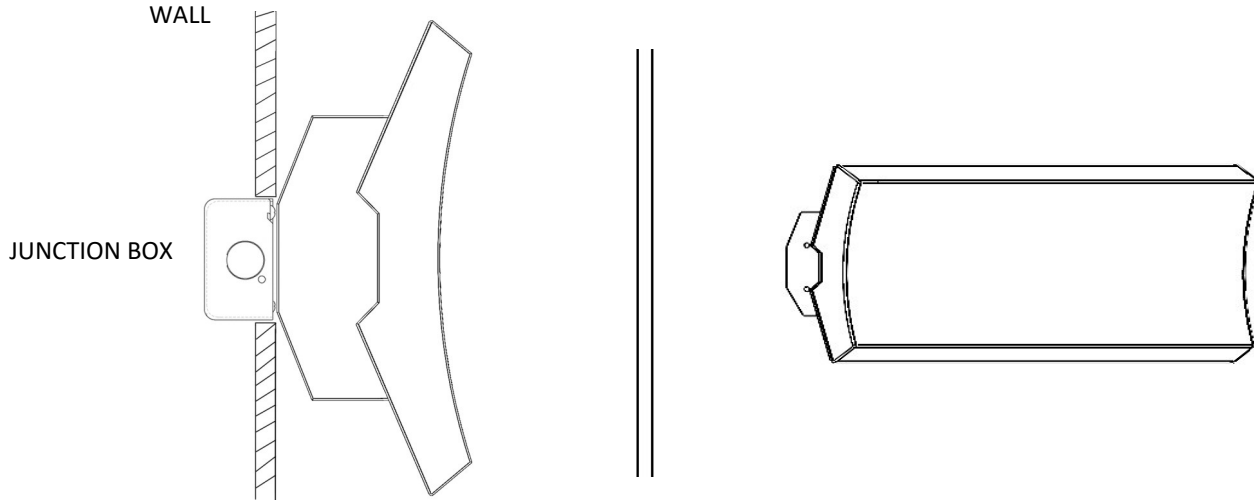
<p>SPECIALTY DRIVERS (Standard driver is 0-10V, dim to 1% output current)</p> <p>DT1= eldoLED EcoDrive Dim to 1% (0-10V) DTZ= eldoLED SoloDrive Dim to 0.1% (0-10V) PSRD= Philips Sensor Ready (DALI) Driver LDE1= Lutron Hi-Lume EcoSystem LED driver w/ Soft-on, Fade-to-Black TW-A= Tunable White, 0-10v² TW-EL= eldoLED DUALdrive Tunable White (DALI)² LD2=Lutron DALI 2 Digital Tunable White driver with 1% dimming²</p> <p>BATTERIES ("#" indicates quantity)³ #EMB6= 6W EM Battery (Iota/Bodine) #EMB10= 10W EM Battery (Iota/Bodine) #FCEMB10= 10W EM Battery (Factory Choice) #FCEMB14= 14W EM Battery (Factory Choice)</p> <p>SENSORS AWNRR= Lutron Athena Wireless Node (RF only)^{4,5}</p>	<p>JUNCTION BOX HB = Handy Box (4" x 1.5" x 1.25")</p>
---	---

¹ Tunable White Driver must be specified in options
² 75 Watt Max. Dual driver required for higher fixture wattage
³ Emergency battery option not available with 2' fixtures
⁴ DALI-2 Type 8 for tunable white.
⁵ Athena sensor matches finish for white and black fixtures

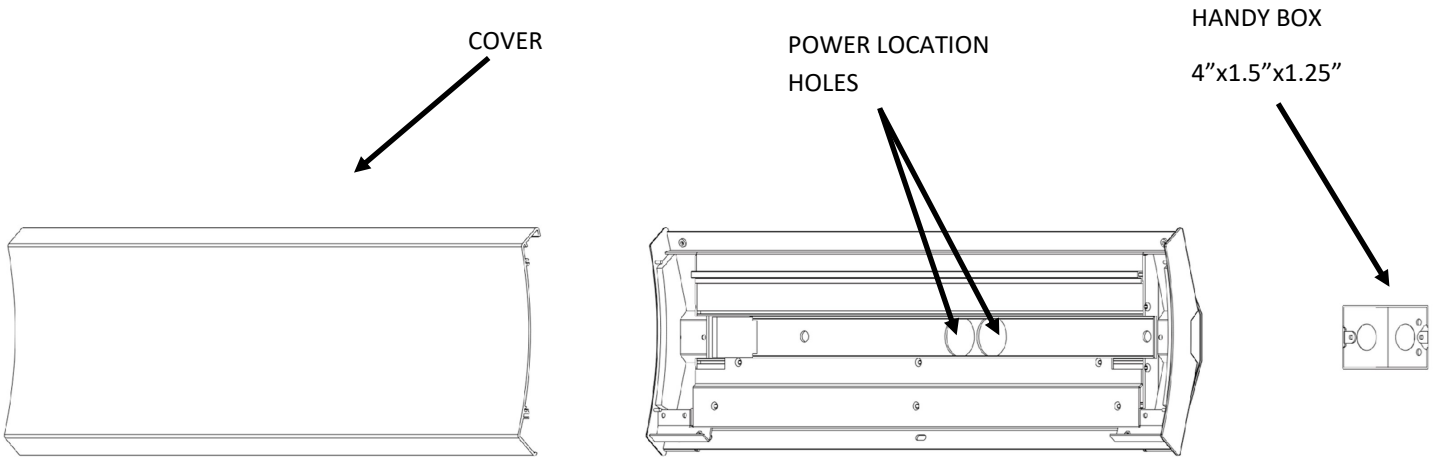
WALL GRAZER INDIRECT

MOUNTING OPTIONS

WM - Wall Mount

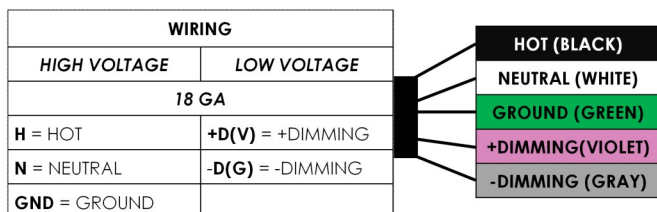


POWER LOCATION

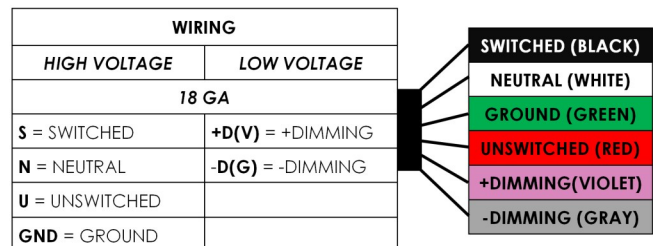


WIRING DIAGRAMS

Wiring configurations are dependent on the options chosen. Below are a few examples of our standard wiring that is used to power the fixture.



This wiring diagram is showing a standard set of wires for a basic fixture.

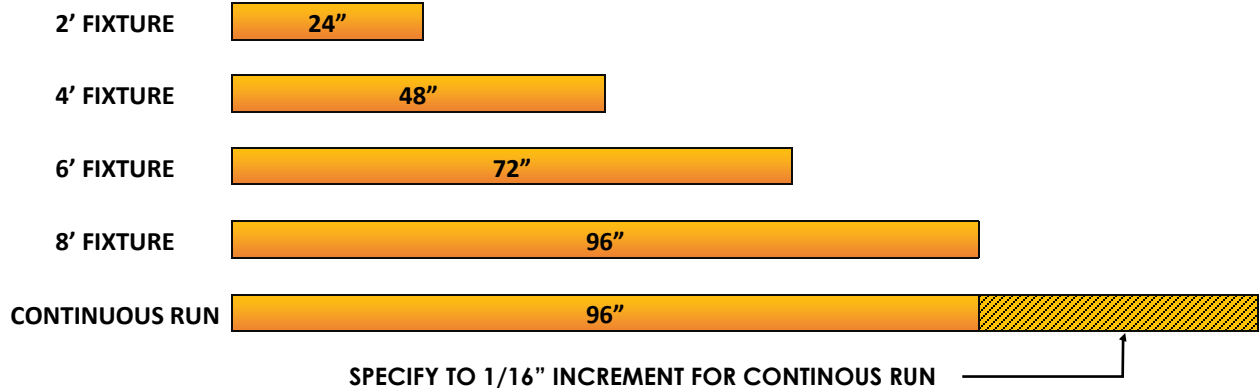


This wiring diagram is showing a set of wires for a fixture with an emergency battery.

WALL GRAZER INDIRECT

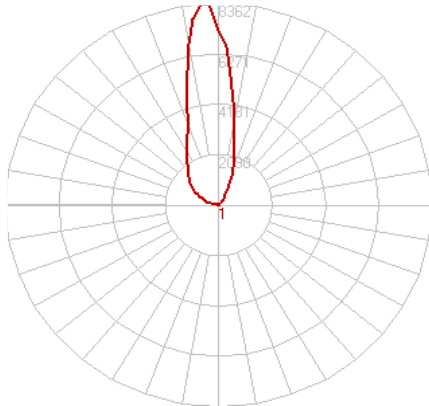
INDIVIDUAL AND CONTINUOUS FIXTURE CONFIGURATION

Individual fixtures are available from 2' to 8'. The standard construction for run lengths is to build with as many 8' fixtures as possible and finish the run with a shorter length fixture if needed. If a different configuration is needed to meet an aesthetic requirement, please indicate this on your P.O. when placing your order.



WALL GRAZER INDIRECT

PHOTOMETRICS



Candela Table

Vert. Angle	Horizontal Angle				
	0	22.5	45	67.5	90
90	16	14	18	33	54
95	18	15	20	37	146
100	19	17	21	43	296
105	21	18	23	49	505
110	22	19	25	59	784
115	23	20	26	172	1153
120	25	22	28	340	1639
125	26	24	56	537	2222
130	28	27	172	813	2911
135	86	111	332	1121	3646
140	216	259	507	1491	4388
145	408	445	754	1877	5074
150	609	659	1158	2329	5658
155	933	1050	1704	2855	6143
160	1669	1737	2280	3523	6518
165	2459	2471	3004	4341	6810
170	3547	3470	4065	5296	7010
175	5392	5176	5575	6284	7120
180	7266	7266	7266	7266	7266

Model Tested

WALLI-8-1000-GRZ-35K-80

Luminance Data (cd/sq.m)

Angle in Degrees	Avg. 0-Deg	Avg. 45-Deg	Avg. 90-Deg
45	0	0	0
55	0	0	0
65	0	0	0
75	0	0	0
85	0	0	0

Power¹

Direct LPF	Total Lumens	GRZ Wall Graze	
		LPW	W/ft.
350	2800	100	4
500	4000	100	5
750	6000	100	8
1000	8000	100	10

¹Based on 8' lengths at 35K CCT and 80 CRI modules. All wattage values are rounded up. Delivered lumens may vary +/- 5%. Actual wattage may vary +/- 5%.

Wattage Multiplier

	CCT	4' Length	8' Length
80 CRI	30K	1.11	1.05
	35K	1.05	1
	40K	1.03	0.98
	50K	1.02	0.97
90 CRI	30K	1.17	1.11
	35K	1.11	1.05
	40K	1.08	1.03
	50K	1.07	1.02

Multiplier How-To

To determine CRI/CCT configuration wattage:

Choose wattage from Power matrix for desired optic and lumen output for 8' fixture length.

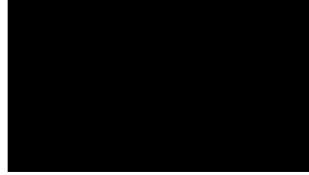
Wattage x Multiplier = New Configuration Wattage

FINISHES

STANDARD FINISHES



WHITE MINI TEXTURE



BLACK MINI TEXTURE

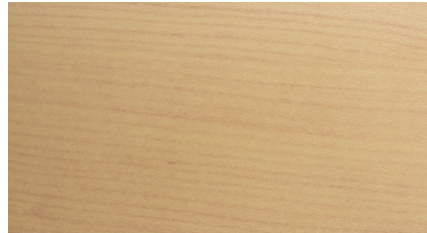


SILVER SPARKLE TEXTURE

PREMIUM STOCK FINISHES



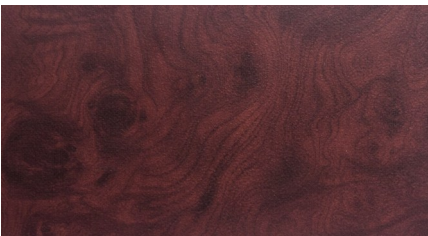
PSF001 (WOOD#1)



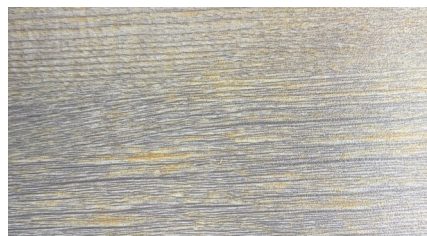
PSF002 (WOOD#2)



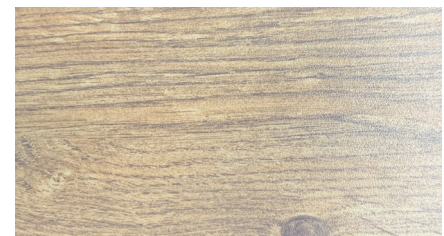
PSF003 (WOOD#3)



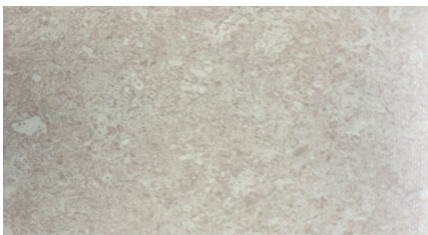
PSF004 (WOOD#4)



PSF005 (WOOD#5)



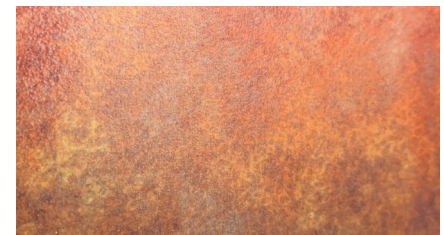
PSF006 (WOOD#6)



PSF007 (STONE #1)



PSF008 (STONE #2)



PSF009 (METAL #1)

NOTE: A minimal impact to lead times will apply to products specified with Premium Stock Finishes (PSF). It is not to be assumed that these finishes are stocked in our warehouse, but rather, are readily available to us for your project.

All other custom finishes (PO) will incur a set up fee and will add an extended lead time to your project.

WALL GRAZER INDIRECT

SPECIFICATIONS

Housing

Nominal 7.6" X 3.4"(Concave), 7.5" X 3.3"(Flat), and 4.8" x 3.3"(Mini Flat) housings of continuous extruded 6063 T5 aluminum.

Luminaire Length

2', 4', 6' or 8' lengths are available for a single stand-alone section. Using internal joiners, sections can be joined to form longer rows.

Battery

Lithium ion battery providing up to (14W) for 90 minutes. UL924 listed. Class 2 compliant. Meets Title 20 CEC (California Energy Commission) efficiency standards.

Lensing

Snap-in .060" thick acrylic lensing with impact modifier

Source

Five color temperature options (2700K, 3000K, 3500K, 4000K and 5000K) — all within 3 MacAdam ellipses.

Certification

Intertek cETLus Listed. RoHS (Restriction of Hazardous Substances) and Buy American Act compliant.

Environment

Suitable for dry and damp locations.
Operating temp.: -40°C to +45°C

Dimming Driver

LED driver allows tunable output currents to achieve infinite configurations of output. UL Class 2 recognized. 0-10v interface can be wired as Class 1 or Class 2 circuit. Included 2.5kw ring and wave overcurrent protection, isolation of each individual output and a fully potted driver to protect from heat and vibration. Power factor <.93

Packaging

Sustainably manufactured outside cardboard box and biodegradable, protective poly-foam luminaire inserts.

WARRANTY

5-year limited warranty. Complete warranty terms can be located at:

http://www.starteklightingamerica.com/images/pdf/warranty/Beam_Series_Warranty.pdf

Note: Actual performance may differ as a result of installation environment and final application. All values are design or typical values, measured under laboratory conditions, at 25°C (77°F) .